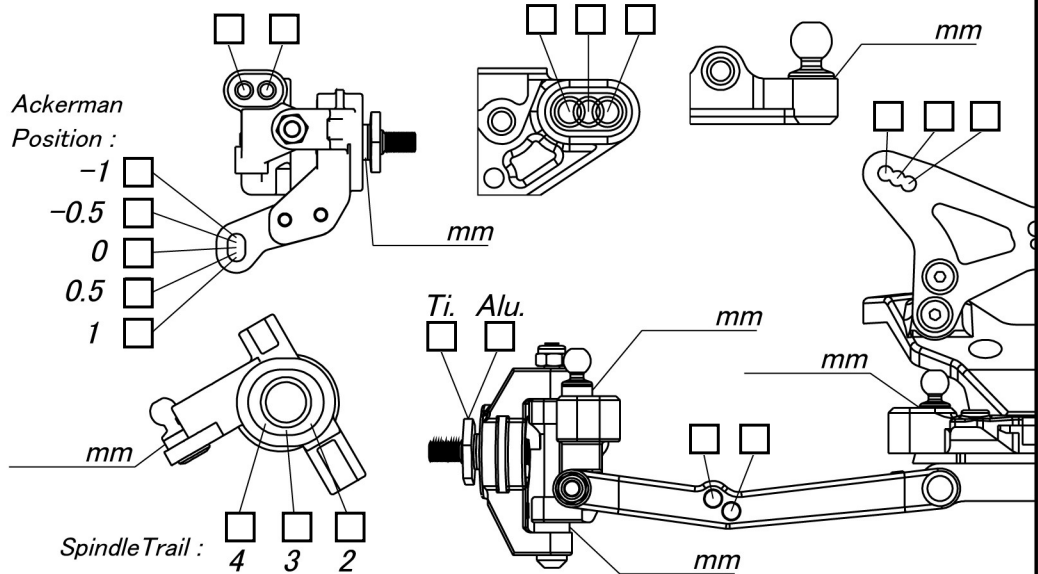


Driver : \_\_\_\_\_  
 Date : \_\_\_\_\_  
 Track : \_\_\_\_\_  
 Event : \_\_\_\_\_

Track Condition  
 Size : Open  Mid  Tight   
 Traction : High  Mid  Low   
 Condition : Smooth  Bumpy  Dry  Wet   
 Surface : Carpet  Dirt  AstroTurf

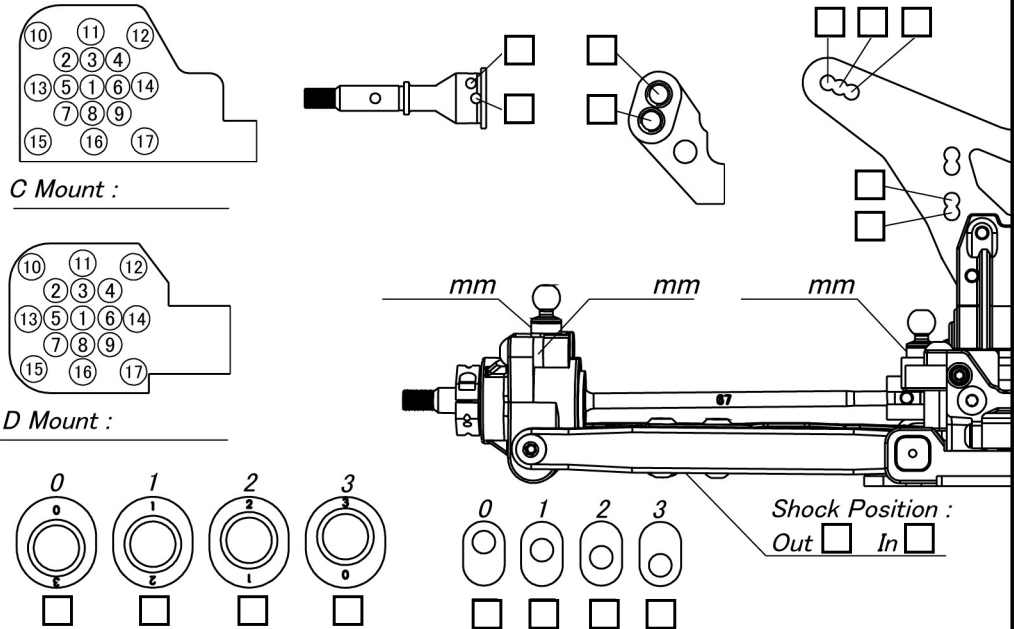
## Front Suspension

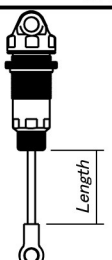
Ride Height : \_\_\_\_\_  
 Camber : \_\_\_\_\_  
 Toe : \_\_\_\_\_  
 Anti-roll Bar : \_\_\_\_\_  
 Front Bulkhead Spacer : \_\_\_\_\_  
 Plastic mm / Brass mm  
 Notes : \_\_\_\_\_

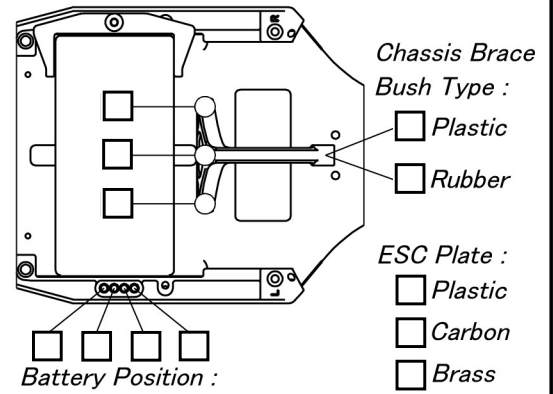


## Rear Suspension

Ride Height : \_\_\_\_\_  
 Camber : \_\_\_\_\_  
 Anti-roll Bar : \_\_\_\_\_  
 Arm Position : Fwd  Back   
 Hub Position : Fwd  Mid  Back   
 Notes : \_\_\_\_\_



Shocks	Front	Rear
 Piston :		
Oil :		
Spring :		
Length :		
Limiters :	Int :    Ext :	Int :    Ext :
Eyelet Length :	Std <input type="checkbox"/> +2 <input type="checkbox"/>	Std <input type="checkbox"/> +2 <input type="checkbox"/>
Cup Offset :	Low <input type="checkbox"/> Mid <input type="checkbox"/> High <input type="checkbox"/>	Low <input type="checkbox"/> Mid <input type="checkbox"/> High <input type="checkbox"/>



Electronics	Differential		
Radio :	Gear Diff <input type="checkbox"/>	2 Gear <input type="checkbox"/>	Oil :
Servo :		4 Gear <input type="checkbox"/>	Friction O-ring :
ESC :	Ball Diff <input type="checkbox"/>	Setting :	
Motor :	Tire	Front	Rear
Gearing : /	Type :		
Battery : / g	Compound :		
Weight	Inserts :		
Servo Weight : Yes <input type="checkbox"/> No <input type="checkbox"/>	Wheel :		
Battery Weight : 19g <input type="checkbox"/> 37g <input type="checkbox"/>	Additive :		

Total Weight : \_\_\_\_\_ g

### Body & Wing

Body : \_\_\_\_\_  
 Rear Wing : \_\_\_\_\_  
 Wing Angle : 0°  3°  6°   
 Front Wing : \_\_\_\_\_ Low :  High :