



# MUSTANG

## AVALON 3



**Assembly and operating instructions**

EN

**Asennus- ja käyttöohje**

FI

**Monterings- och bruksanvisning**

SV

**Monteringsanvisninger og bruksanvisning**

NO

**Samlings- og betjeningsinstruktioner**

DA

**Paigaldus- ja kasutusjuhend**

ET

**Lietošanas pamācība**

LV

**Naudotojo vadovas**

LT

**Montage- und Bedienungsanleitung**

DE

**Instrukcja montażu i obsługi**

PO

Technical information | Tekniset tiedot | Teknisk information | Spesifikasjoner | Tekniske data | Tehniline teave | Tehniskā informācija |  
Techninė informacija | Technische Daten | Informacje techniczne |

Appliance code Laitteen koodi Produktkod Apparatkode Udstyrskode Seadme kood Ierīces kods Prietaiso kods Produktcode Kod urzędzenia	639593
Dimensions Mitat Mått Dimensjoner Mål Mõõdud Izmēri Matmenys Abmessungen Wymiary	125 x 67,5 x 105 cm
Info Informasjon Information Tootja Ražotājs Gamintojas Producent	Tammer Brands Oy Viinikankatu 36, 33800 Tampere, Finland <b>mustang-grill.com</b>



# MUSTANG

## AVALON 3

- EN **Assembly instructions**  
.....
- FI **Kokoamisohjeet**  
.....
- SV **Monteringsanvisningarna**  
.....
- NO **Monteringsanvisning**  
.....
- DA **Samlingsvejledning**  
.....
- ET **Koostejuhised**  
.....
- LV **Montāžas instrukciju**  
.....
- LT **Surinkimo nurodymai**  
.....
- DE **Montageanleitung**  
.....
- PO **Wskazówki dotyczące montażu**  
.....

# General assembly instructions

## Before you begin assembly

Unload the sales package carefully and ensure that all parts are taken out of the package. Take care of the appropriate recycling of the packaging materials before assembling the grill.



**Do not let small children play with the packaging materials.**

Check that all parts required for assembly can be found and that they are in good condition. You can check the parts with the help of the list on page 9. If parts are missing or they are damaged, please contact the seller.

Study the assembly illustrations carefully and proceed with the assembly in the order presented in the instructions. Do not assemble the grill on decking boards since small parts may drop under the boards.

Some plate/steel parts may be sharp; wear work gloves during the assembly.



**Do not use electric or battery-powered screwdrivers for the assembly. It may break the screws or surfaces. Tighten all the screws manually.**

# Yleiset kokoamisohjeet

## Ennen asentamista

Pura myyntipaketti huolella ja varmista että kaikki osat on poistettua paketista. Huolehdi pakkausmateriaalin asianmukaisesta kierrätyksestä ennen grillin kokoamista.



**Älä anna pienten lasten leikkiä pakkausmateriaaleilla.**

Tarkista, että kaikki kokoamiseen tarvittavat osat löytyvät ja ovat kunnossa. Tarkistuksen voit suorittaa osaluettelon avulla sivulta 9. Jos jotain osia puuttuu tai osat ovat vahingoittuneet, ole yhteydessä myyjäliikkeeseen.

Tutustu kokoamiskuviin huolellisesti sekä etene kokoamisessa ohjeiden mukaisessa järjestyksessä. Älä kokoa grilliä terassilaudoituksen päällä, koska pienet osat voivat tippua terassilaudoituksen alle.

Jotkut pelti - / teräsosat voivat olla teräviä, joten käytä kokoamisessa työhanskoja.



**Älä käytä kokoamiseen sähkö- tai akkukäyttöistä ruuvinväännintä. Se saattaa rikkoa ruuvit tai osien pinnat. Kiristä kaikki ruuvit käsin.**

SV

# Allmänna monteringsanvisningar

## Innan montering

Montera försäljningspakketet nøggrant og sakerstall at alle delar har tagits ur pakketet. Se till at forpackningsmaterialet atervinnas regelratt innan du monterar grillen.



**Lat inte sma barn leka med forpackningsmaterialet.**

Kontrollera at alle delar som behovs for at montera grillen finns og ar i gott skick. Kontrollen kan utforas med hjalp av komponentlisten pa sidan 9. Om nagra delar fattas eller delarna ar skadade, kontakta forsaljbutiken.

Bekanta dig nøggrant med monteringsbilder og monter grillen i samma ordning som i monteringsanvisningarna. Montera grillen inte pa terrassens trapanel eftersom sma komponenter kan trilla mellan plankor.

Vissa plat- og staldelar kan vara vassa sa at anvand arbetshandskar vid monteringen.



**Anvand inte el- eller batteridreven skruvdragere i monteringen. Den kan skada skruvar eller delarnas ytor. Dra at alle skruvar for hand.**

NO

# Generelle monteringsanvisninger

## For du starter monteringen

Loss salgspakken forsiktig ut og sorg for at alle deler er tatt ut av pakken. Pase at du gjennomforer riktig resirkulering av emballasjematerialene for du monterer grillen.



**Ikke la sma barn leke med emballasjen.**

Kontroller at alle deler som kreves for montering er tilstede og at de er i god stand. Du kan sjekke delene ved hjalp av listen pa side 9. Hvis deler mangler eller de er skadet, ta kontakt med selgeren.

Studer monteringsillustrasjonene nøye og fortsett med monteringen i den rekkefolgen som vises i instruksjonene. Ikke monter grillen pa terrassebord, siden sma deler kan falle ned under plankene.

Noen plate-/staldeler kan vare skarpe; bruk arbeids- hansker under montering.



**Ikke bruk elektriske eller batteridrevne skrutrekkerer til monteringen, da de kan knekke skruene eller skade overflatene. Stram alle skruene manuelt.**

DA

## Generel samlingsvejledning

### Inden du begynder at samle produktet

Tag forsigtigt produktet ud af salgsemballagen, og sørg for at tage alle dele ud. Sørg for korrekt genanvendelse af emballagematerialerne, inden du samler grillen.



**Lad ikke små børn lege med emballagematerialerne.**

Kontrollér, at du har alle dele, du skal bruge til at samle produktet, og at de er i god stand. Du kan kontrollere delene ved hjælp af oversigten på side 9. Kontakt ven-

ligst forhandleren i tilfælde af manglende eller beskadigede dele.

Gennemgå samletegningerne omhyggeligt, og saml produktet i den rækkefølge, der er anført i vejledningen. Undlad at samle grillen på terrassebrædder, idet små dele kan falde ned under brædderne.

Nogle plade-/ståldele kan være skarpe. Bær handsker, når du samler produktet.



**Brug ikke elektriske eller batteridrevne skruetrækkere til at samle produktet, da det kan ødelægge skruerne eller beskadige produktets overflade. Stram alle skruer med håndkraft.**

ET

## Üldine koostejuhend

### Enne kokkupanekut

Lõigake pakend hoolikalt lahti ja veenduge, et olete kõik osad välja võtnud. Hävitage pakend enne grilli kokkupanekut nõuetekohaselt.



**Ärge lubage väikelastel pakkematerjaliga mängida.**

Veenduge, et kõik kokkupanekuks vajalikud osad on olemas ja korras. Kasutage lk 9 osade loendi abi. Kui midagi on puudu või kahjustatud, pöörduge edasimüüja poole.

Tutvuge hoolikalt koostepiltidega ja pange grill ettenähtud järjekorras kokku. Ärge pange grilli kokku terrassilaudade peal, sest väiksed osad võivad laudade vahele kukkuda.

Osa plekk-/terasosi võivad olla teravad, nii et kandke grilli kokkupanekul töökindaid.



**Ärge kasutage kokkupanekul elektri- või akutrelli. See võib rikkuda kruvid või detailide pinnad. Pinguldage kõik kruvid käsitsi.**

LV

# Vispārējās montāžas instrukcijas

## Pirms uzstādīšanas

Uzmanīgi attaisiet iepakojumu un pārlicinieties, ka visas detaļas ir izņemtas no iepakojuma. Pirms grila salikšanas, parūpējieties par iepakojuma materiāla atbilstošu pārstrādi.



**Neļaujiet maziem bērniem spēlēties ar iepakojuma materiāliem.**

Pārbaudiet, vai iepakojumā ir visas montāžai nepieciešamās detaļas un vai tās nav bojātas. Pārbaudi var veikt, izmantojot detaļu sarakstu 9 lappusē. Sazinieties ar izplatītāju, ja kādas detaļas trūkst vai tās ir bojātas.

Uzmanīgi iepazīstieties ar montāžas attēliem un turpiniet montāžu norādītajā secībā. Nemontējiet grilu uz terases dēļiem, jo mazas detaļas var nokrist zem terases.

Dažas lokšņu metāla / tērauda detaļas var būt asas, tāpēc montāžas laikā izmantojiet darba cimdus.



**Neizmantojiet elektrisko vai ar akumulatoru darbināmu skrūvgriezi montāžai. Tas var salauzt skrūves vai detaļu virsmas. Pievelciet visas skrūves ar roku.**

LT

# Bendrosios surinkimo instrukcijas

## Prieš surinkimą

Rūpestingai išpakuokite prekę ir patikrinkite, ar iš pakuotės išėmėte visas dalis. Prieš kepsninės surinkimą tinkamai utilizuokite pakuotės medžiagą.



**Neleiskite mažiems vaikams žaisti su pakuotės medžiagomis.**

Patikrinkite, ar yra visos reikiamos dalys ir ar jos tvarkingos. Patikrinimui galite naudoti 9 puslapyje pateiktą dalių sąrašą. Jei trūksta kokių nors dalių arba jos pažeistos, susisiekite su pardavėju.

Atidžiai peržiūrėkite surinkimo schemas ir surinkite kepsninę instrukcijose nurodyta tvarka. Kepsninės nerinkite ant terasos grindų, nes smulkios detalės gali įkristi į plyšį tarp lentų.

Kai kurios skardinės / metalinės dalys gali būti aštrios, tad mūvėkite darbinės pirštines.



**Surinkdami kepsninę nenaudokite elektrinio arba akumulatorinio atsuktuvo. Jis gali sugadinti varžtus arba dalių paviršius. Visus varžtus užsukite ranka.**

DE

# Allgemeine Montageanleitung

## Bevor Sie mit dem Zusammenbauen beginnen

Packen Sie das Paket sorgfältig aus und stellen Sie sicher, dass alle Teile aus der Verpackung entnommen werden. Sorgen Sie für ein ordnungsgemäßes Recycling des Verpackungsmaterials, bevor Sie den Grill zusammenbauen.



**Lassen Sie Kleinkinder nicht mit dem Verpackungsmaterial spielen.**

Überprüfen Sie, ob alle für den Zusammenbau erforderlichen Teile vorhanden und in einwandfreiem Zustand sind. Sie können die Teile anhand der Liste auf Seite

9 überprüfen. Falls Teile fehlen oder beschädigt sind, wenden Sie sich bitte an den Händler.

Betrachten Sie die Montagezeichnungen genau und bauen Sie den Grill in der Reihenfolge zusammen, die in der Anleitung beschrieben ist. Bauen Sie den Grill nicht auf Bodendielen zusammen, da kleine Teile unter die Dielenbretter fallen können.

Manche Blech-/Stahlteile haben möglicherweise scharfe Kanten. Tragen Sie bei der Montage Arbeitshandschuhe.



**Verwenden Sie für den Zusammenbau keinen Elektro- oder Akkuschrauber. Hierdurch können Schrauben oder Oberflächen beschädigt werden. Ziehen Sie alle Schrauben von Hand fest.**

PO

# Ogólne wskazówki dotyczące montażu

## Przed rozpoczęciem montażu

Ostrożnie otworzyć opakowanie i wyjąć wszystkie części. Przed przystąpieniem do montażu grilla odpowiednio zutylizować materiały opakowaniowe.



**Nie pozwolić małym dzieciom bawić się opakowaniem.**

Sprawdzić, czy wszystkie części wymagane do montażu znajdują się na miejscu i są w dobrym stanie. Do tego celu użyć listy przedstawionej na stronie 9. Jeśli jakiegokolwiek części są uszkodzone lub ich brakuje, skontaktować się ze sprzedawcą.



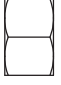











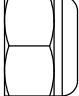



Uważnie zapoznać się z ilustracjami i przeprowadzić montaż w kolejności wskazanej na ilustracjach. Nie montować grilla na podłodze z desek, ponieważ małe części mogą wpaść pomiędzy/pod deski.

Niektóre płyty/części stalowe mogą być ostre; montaż przeprowadzać w rękawicach roboczych.

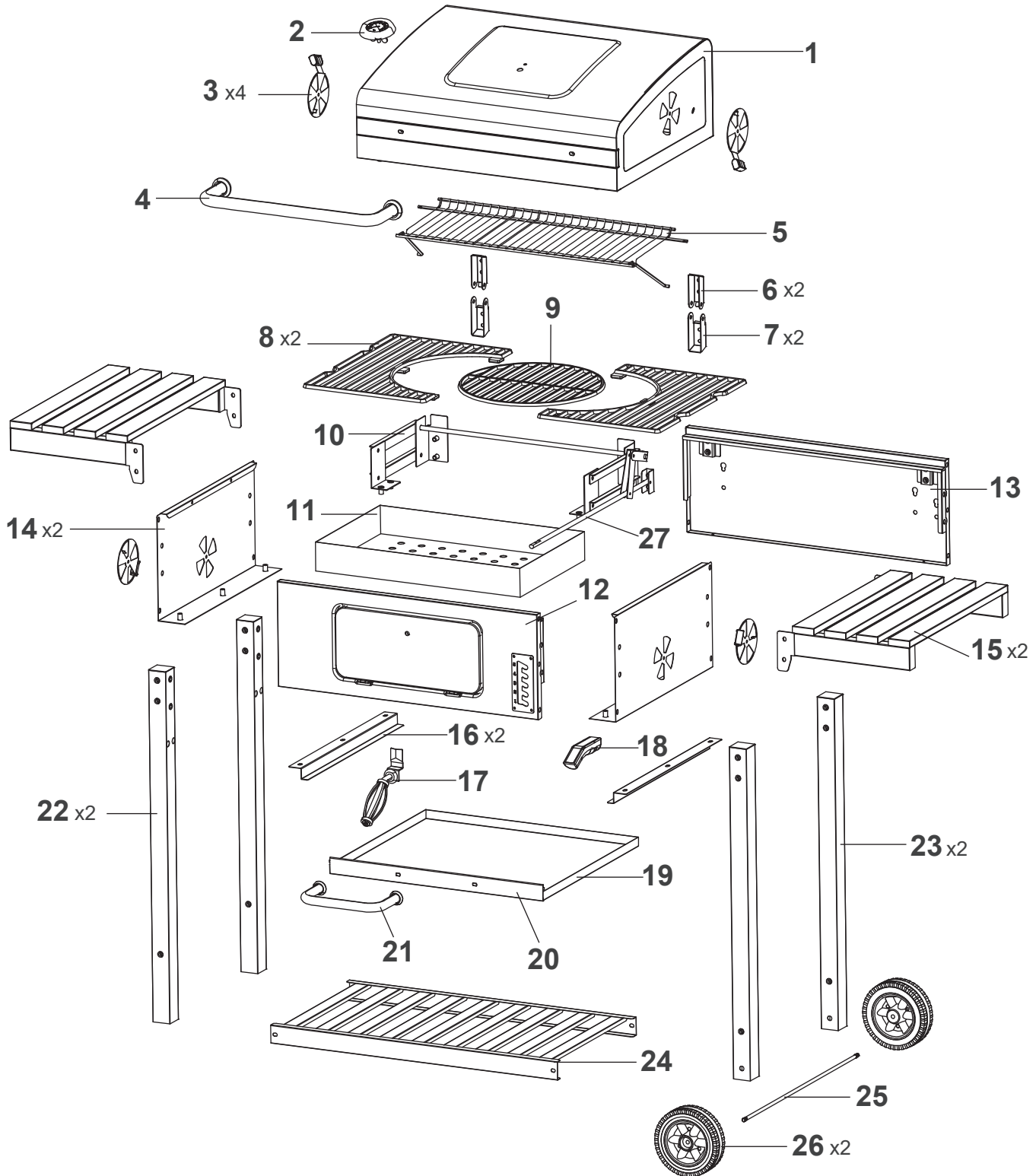


**Podczas montażu nie używać wkrętarek elektrycznych lub akumulatorowych. W przeciwnym razie może dojść do uszkodzenia śrub lub powierzchni. Wszystkie śruby dokręcać ręcznie.**

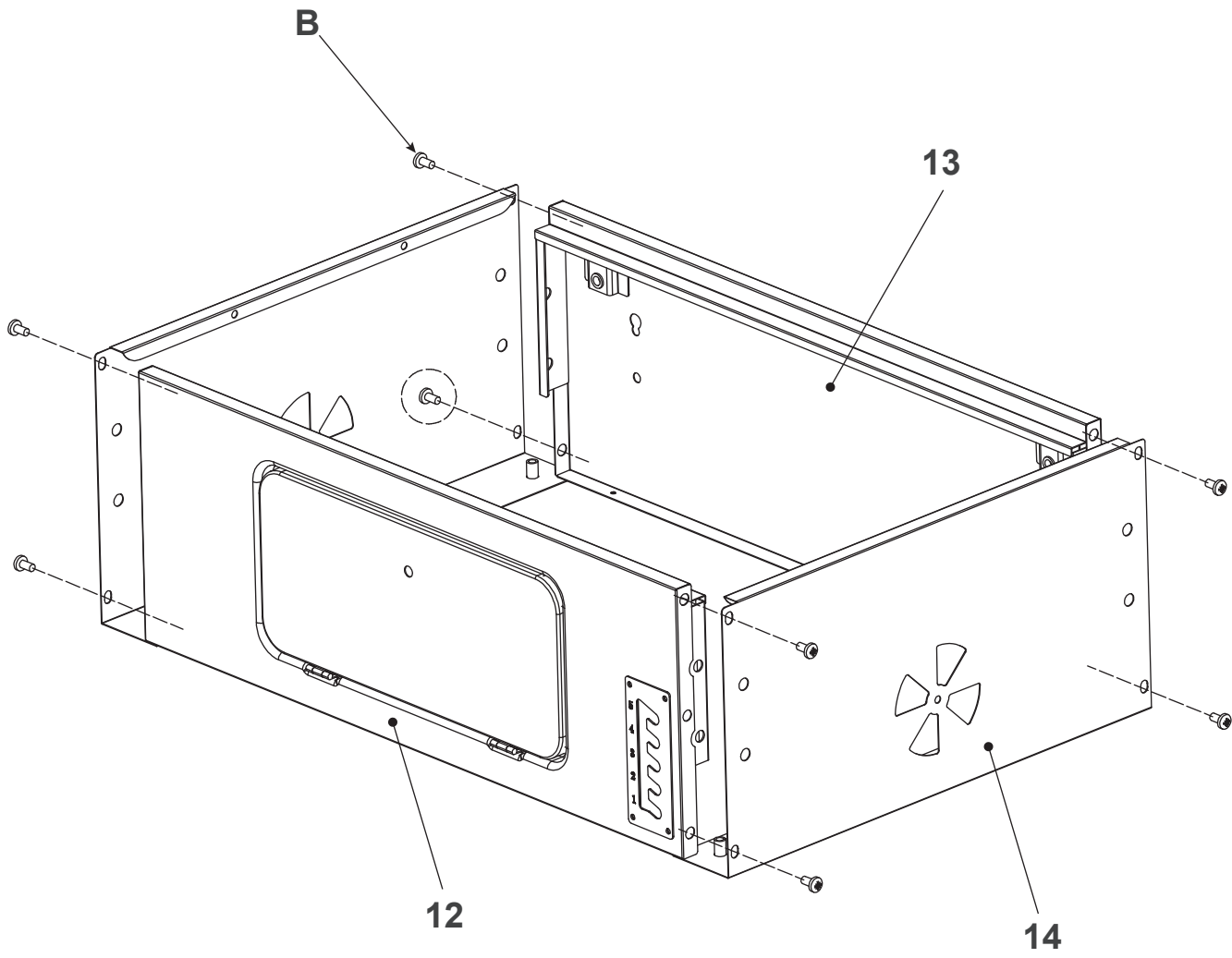
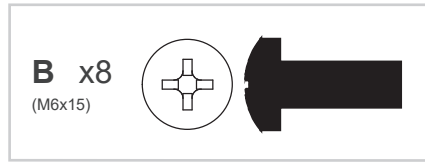


<b>A</b> x1 (M4x10)			<b>D</b> x4 (M6)			<b>G</b> x2		
<b>B</b> x39 (M6x15)			<b>E</b> x10 (M6x16)			<b>H</b> x2		
<b>C</b> x10 (M6x35)			<b>F</b> x2 (M8)			<b>I</b> x8 (M6x12)		

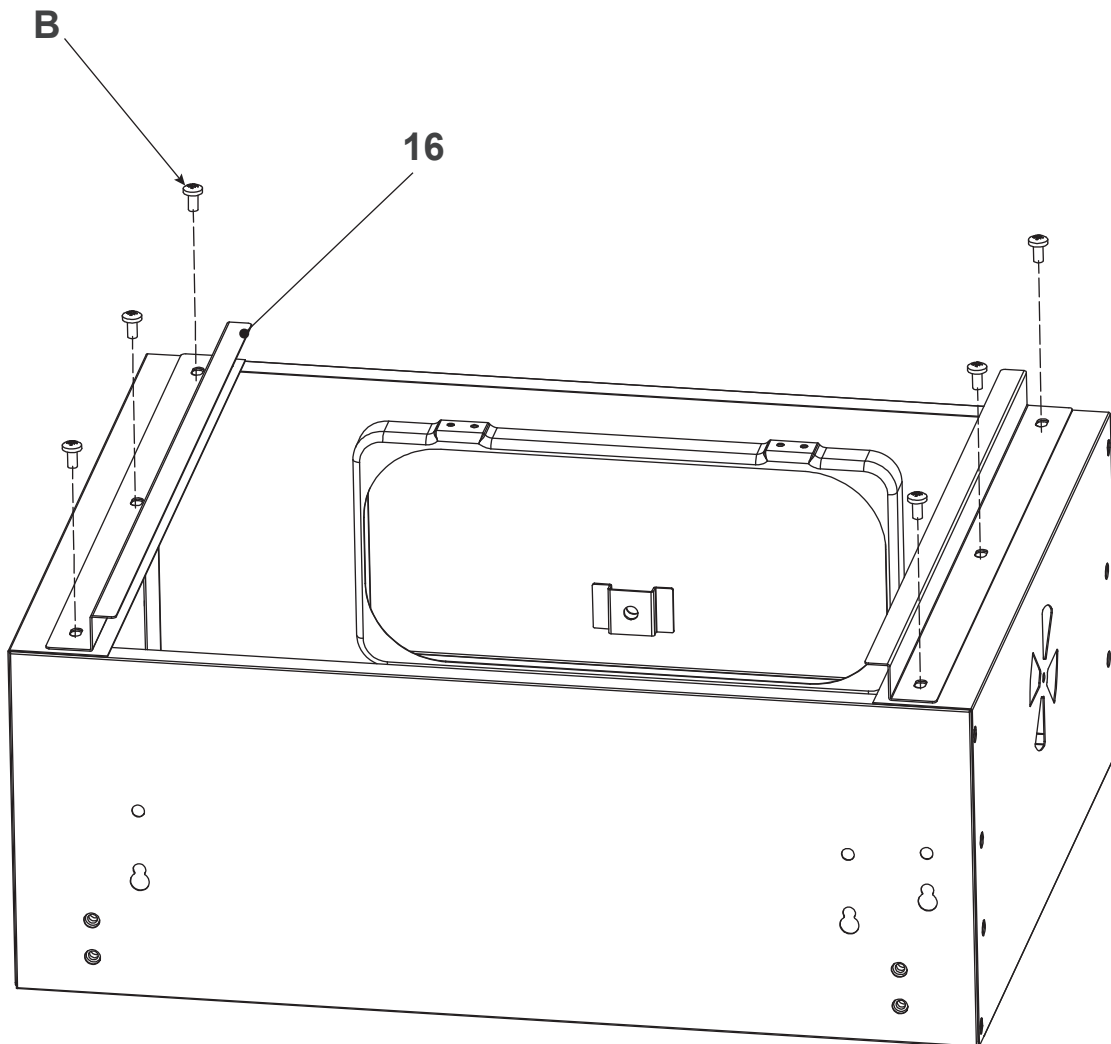
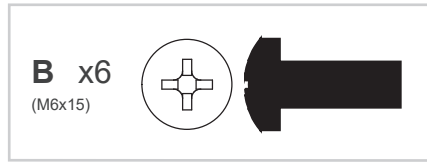
**1:1**



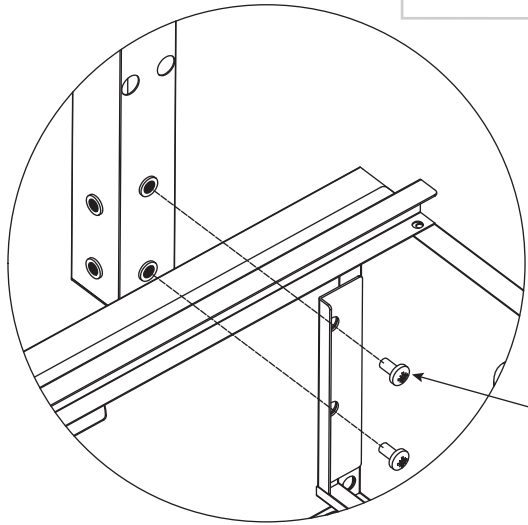
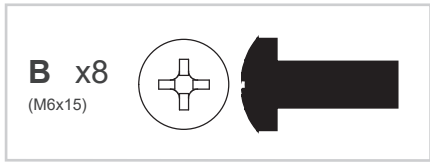
1



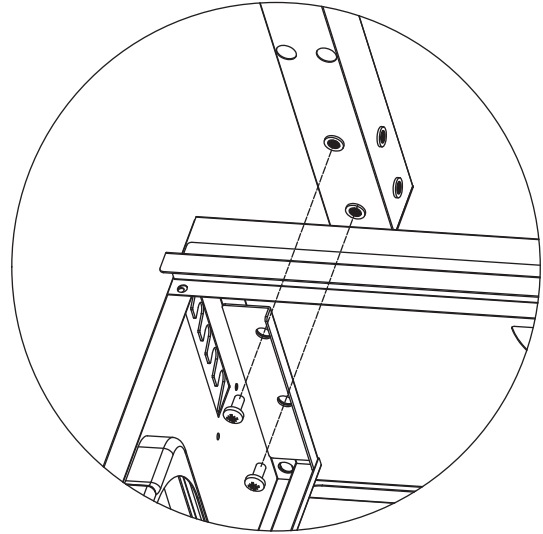
2



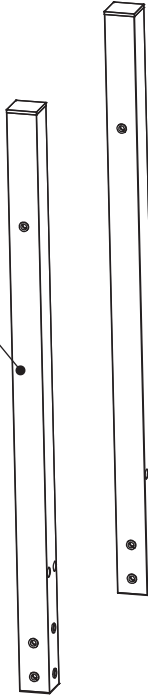
3



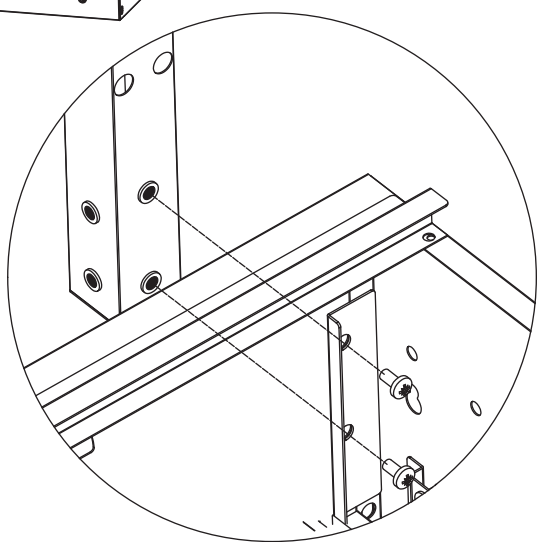
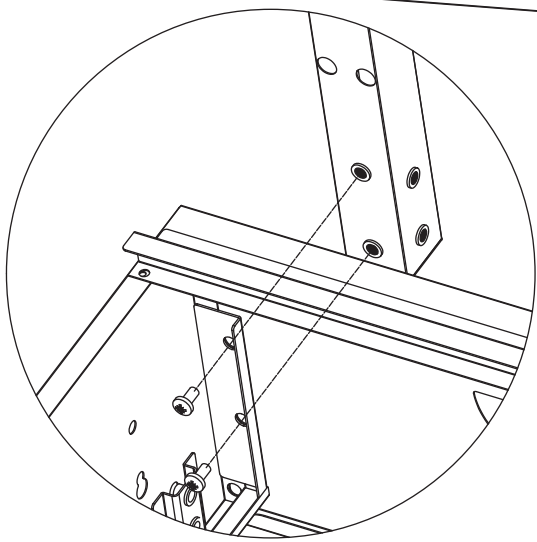
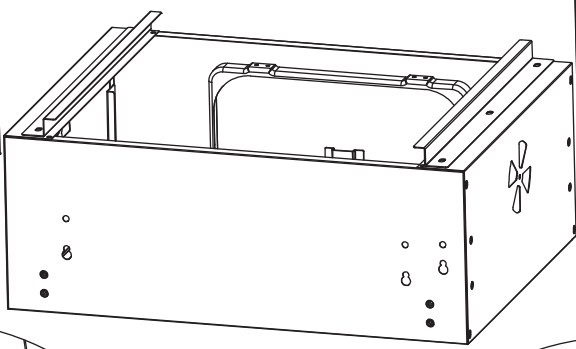
**B**



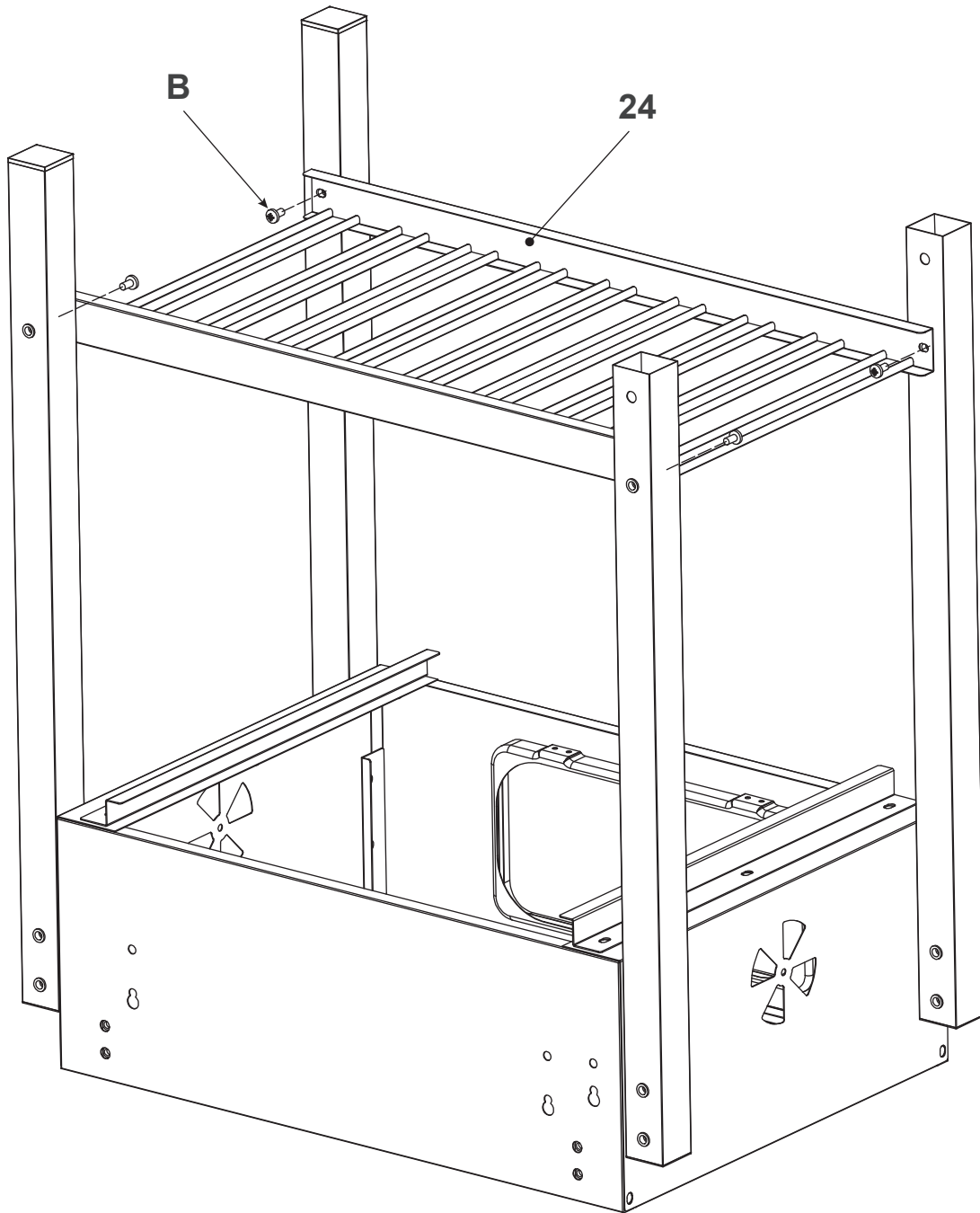
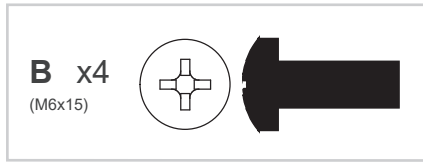
22



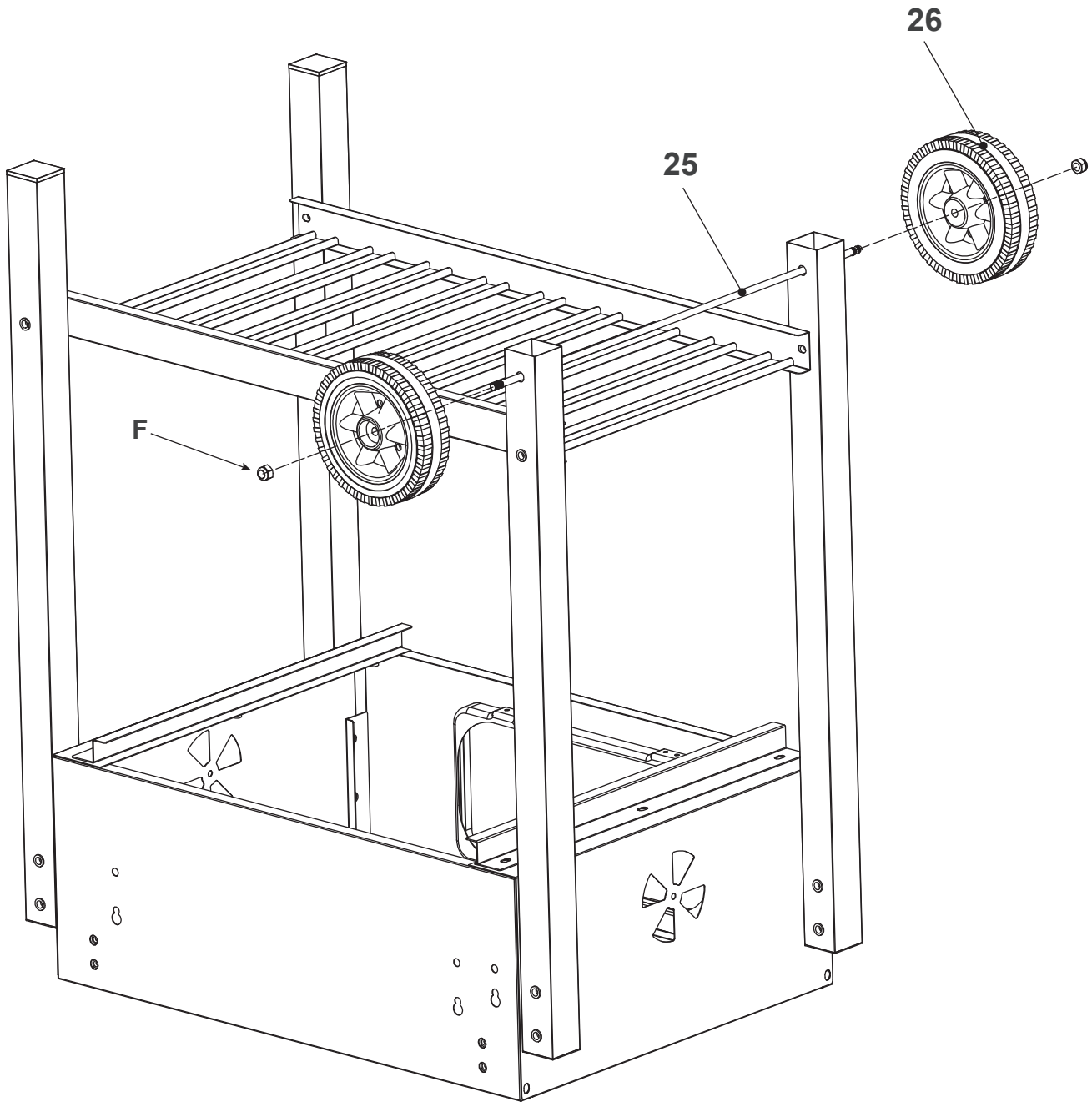
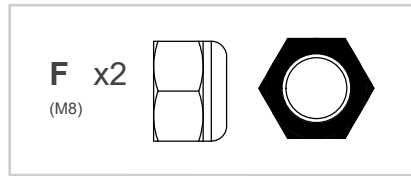
23



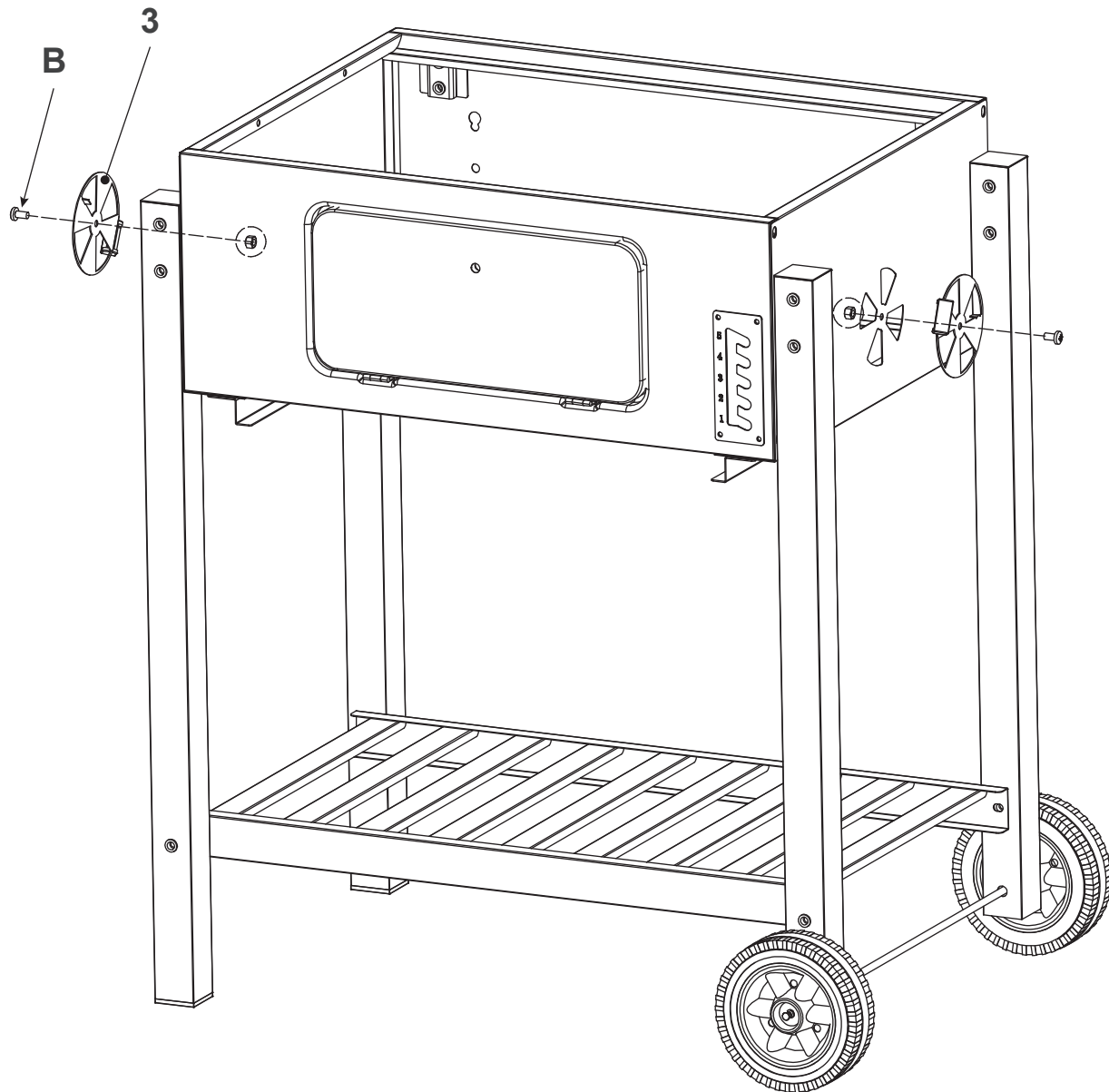
4



5

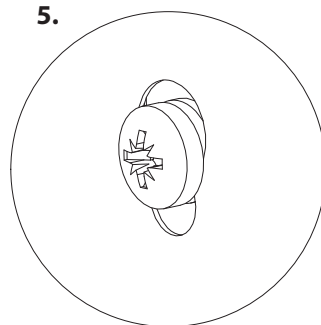
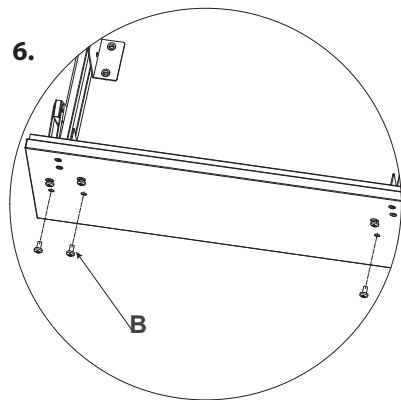
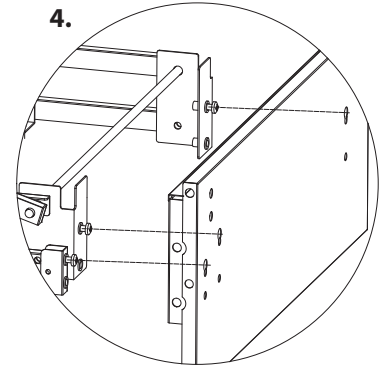
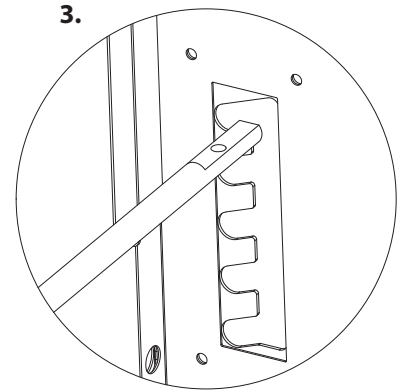
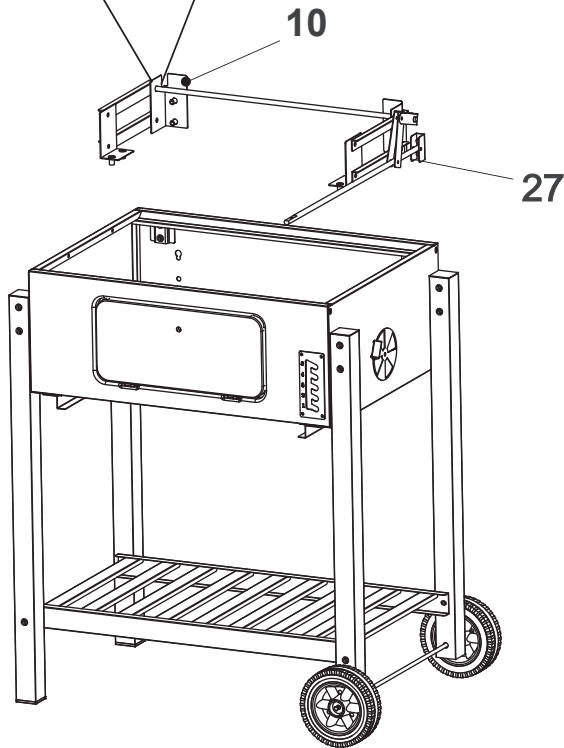
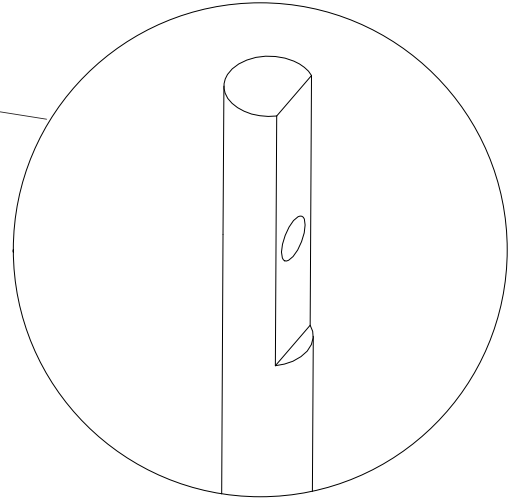
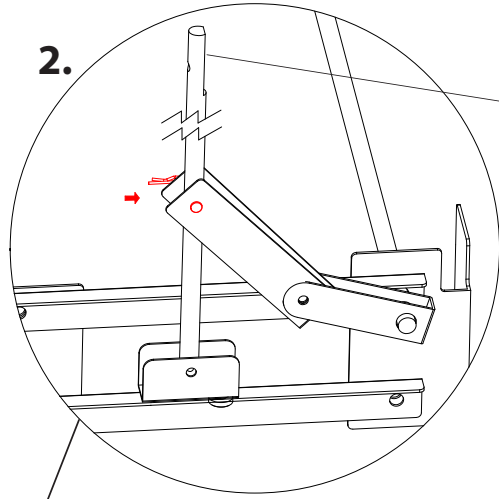
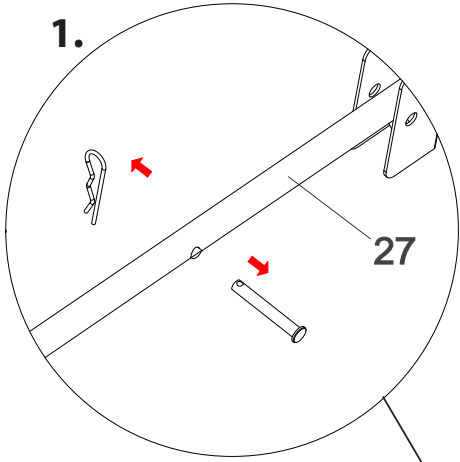


6



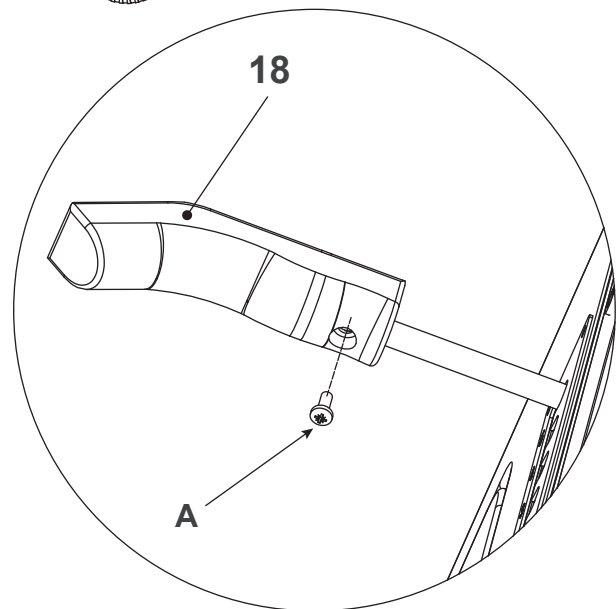
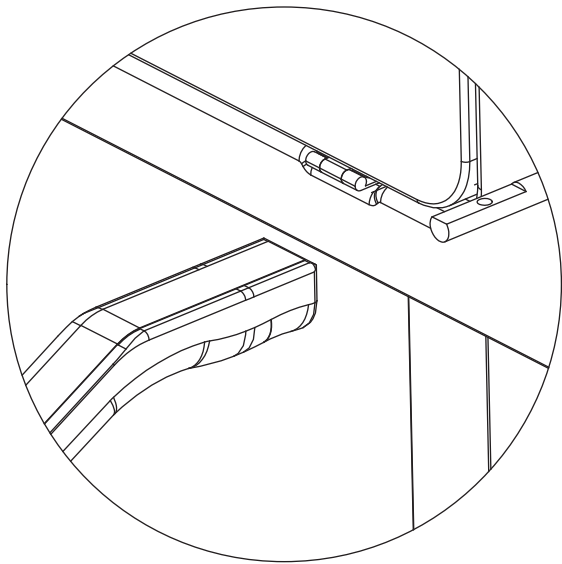
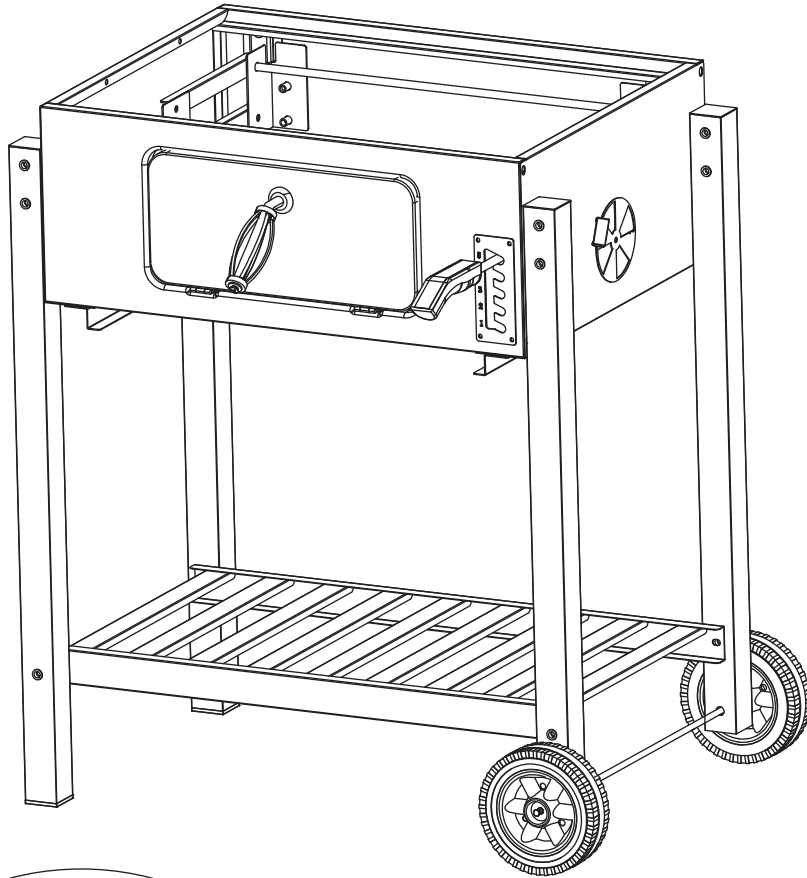
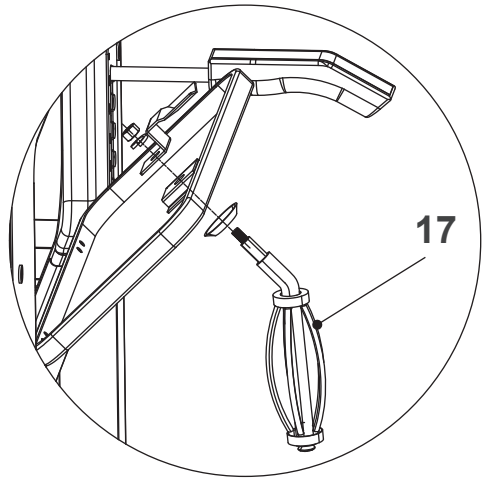
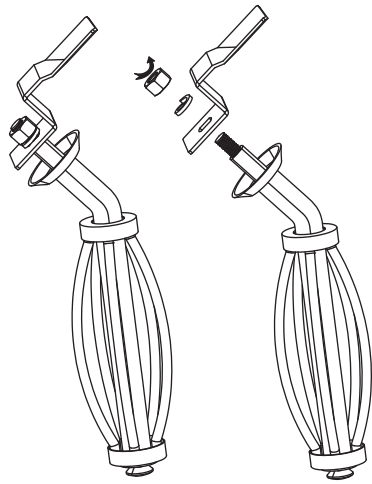
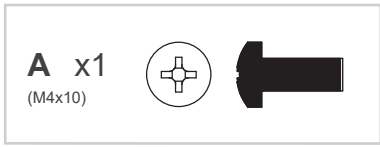
7

B x3  
(M6x15)

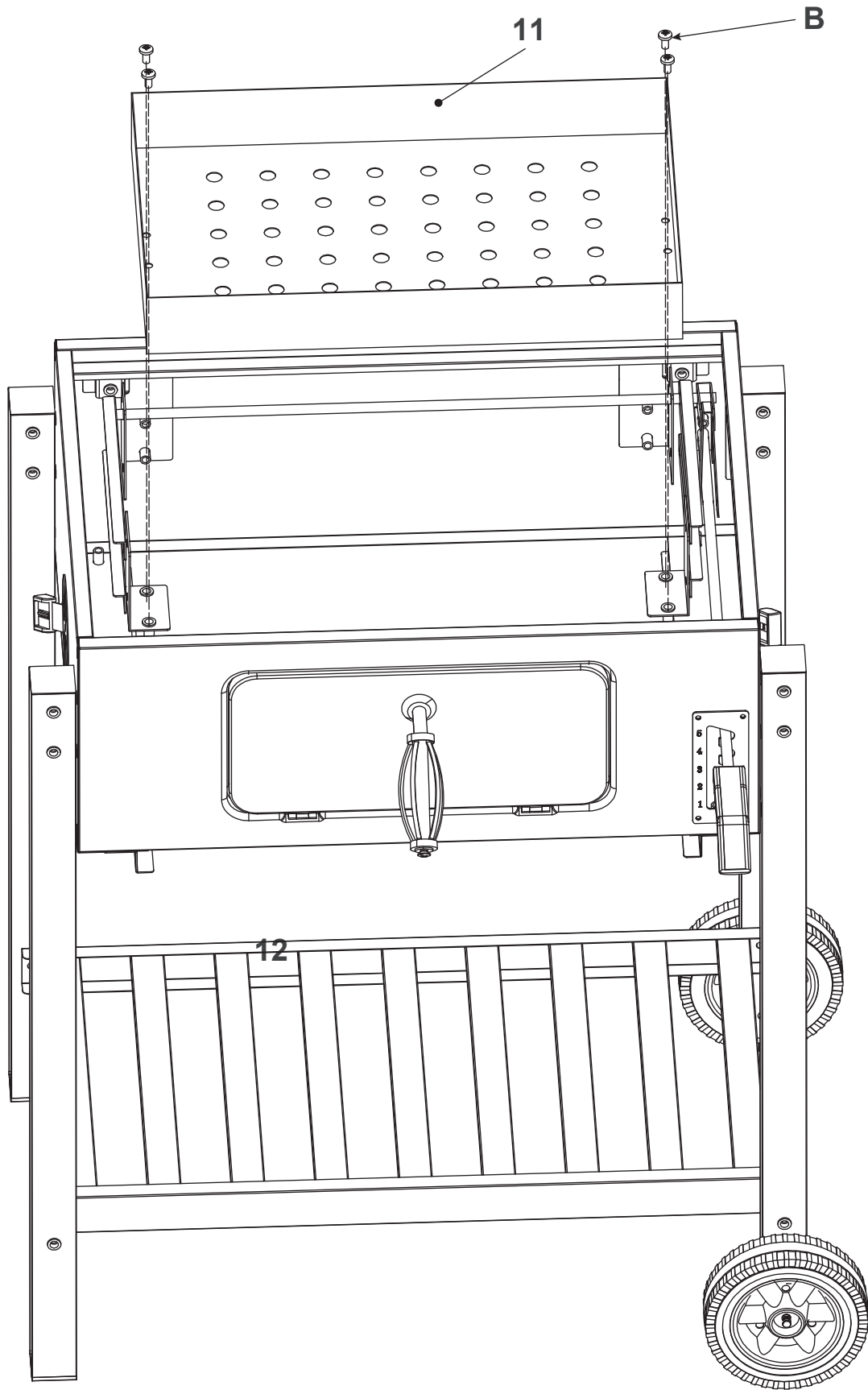
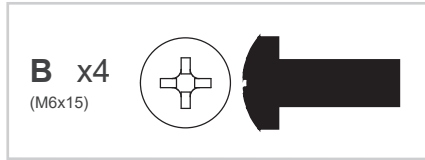




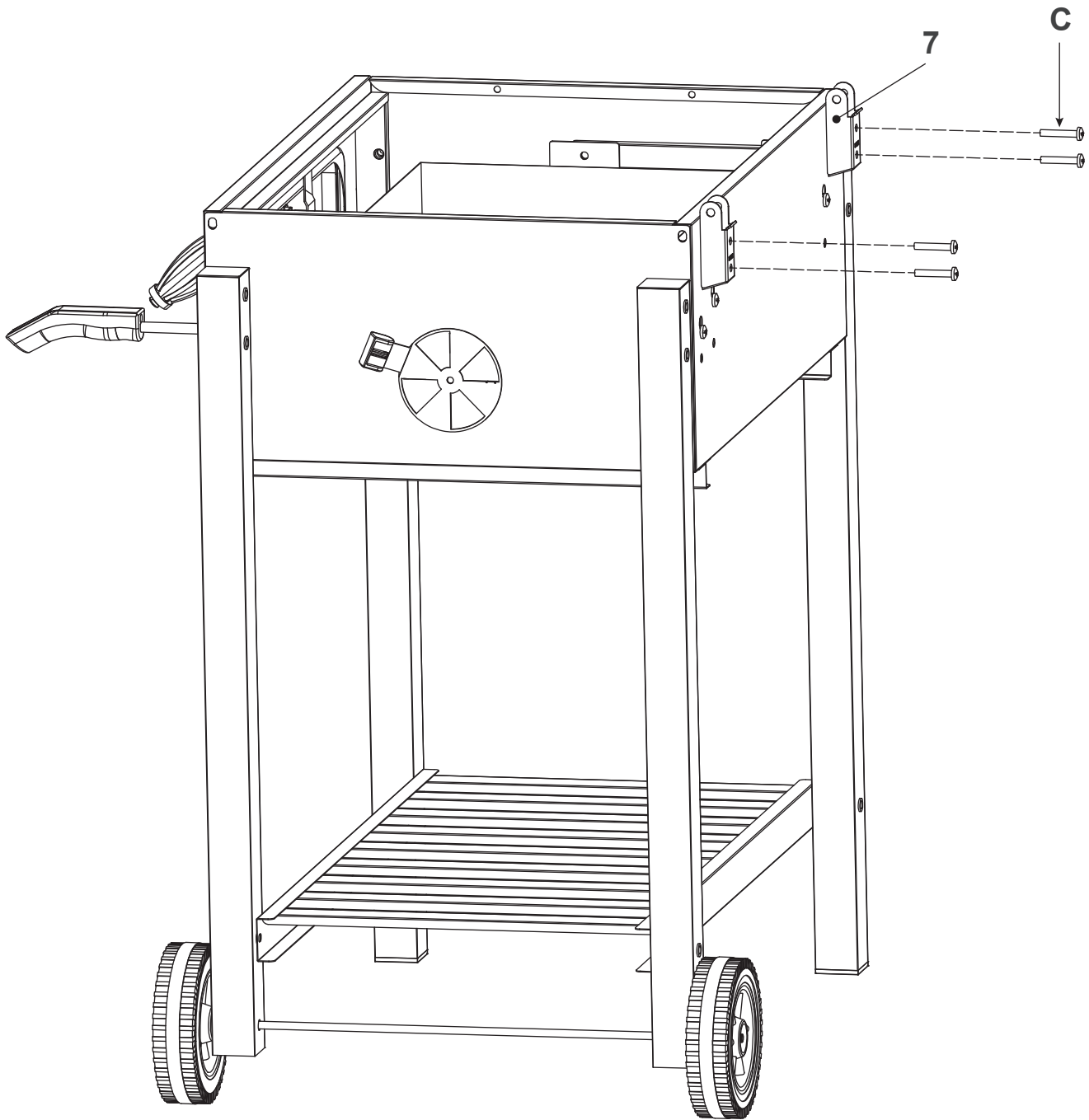
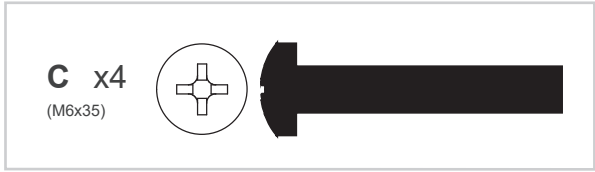
8



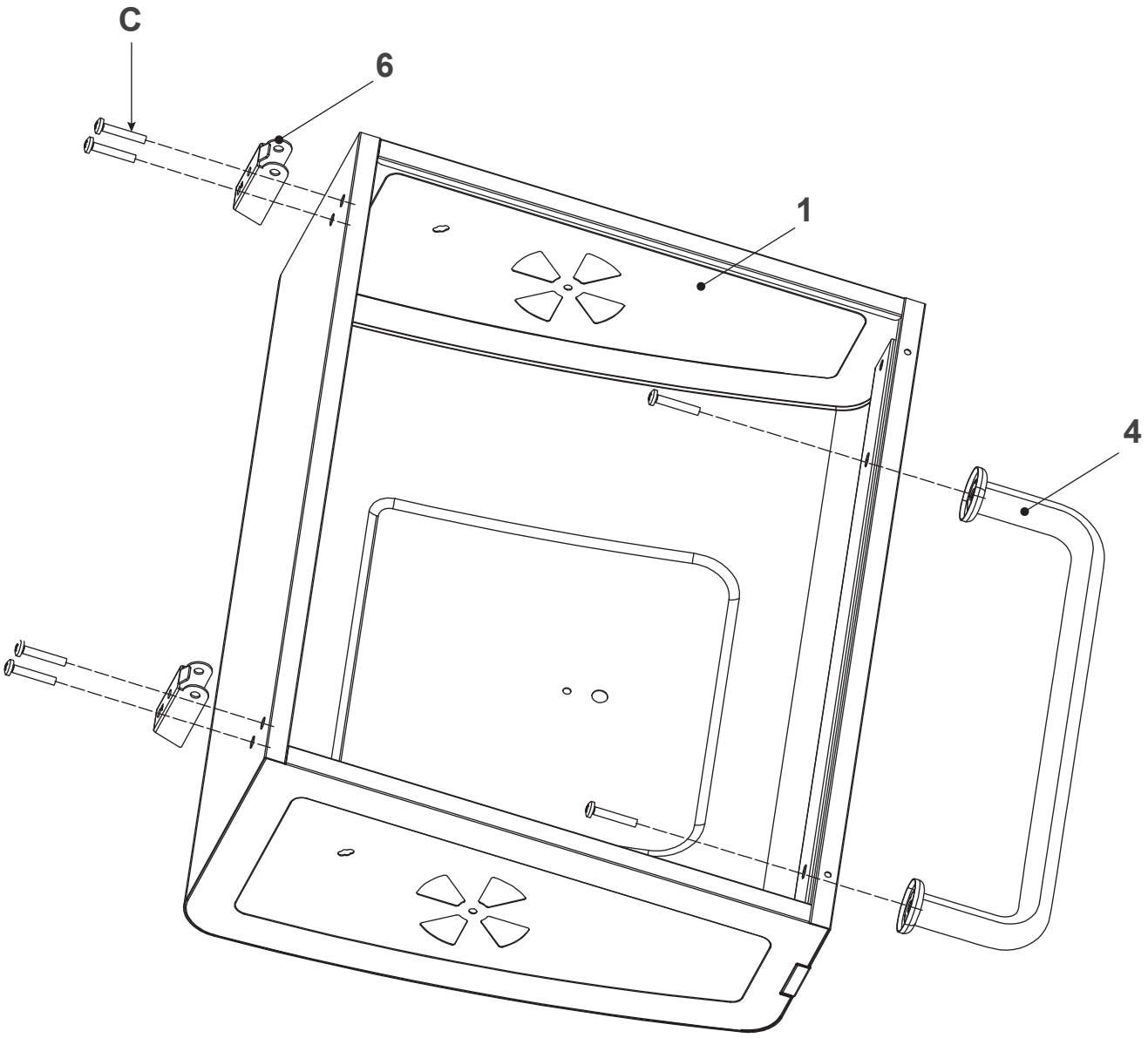
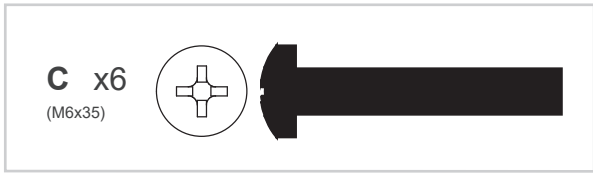
9



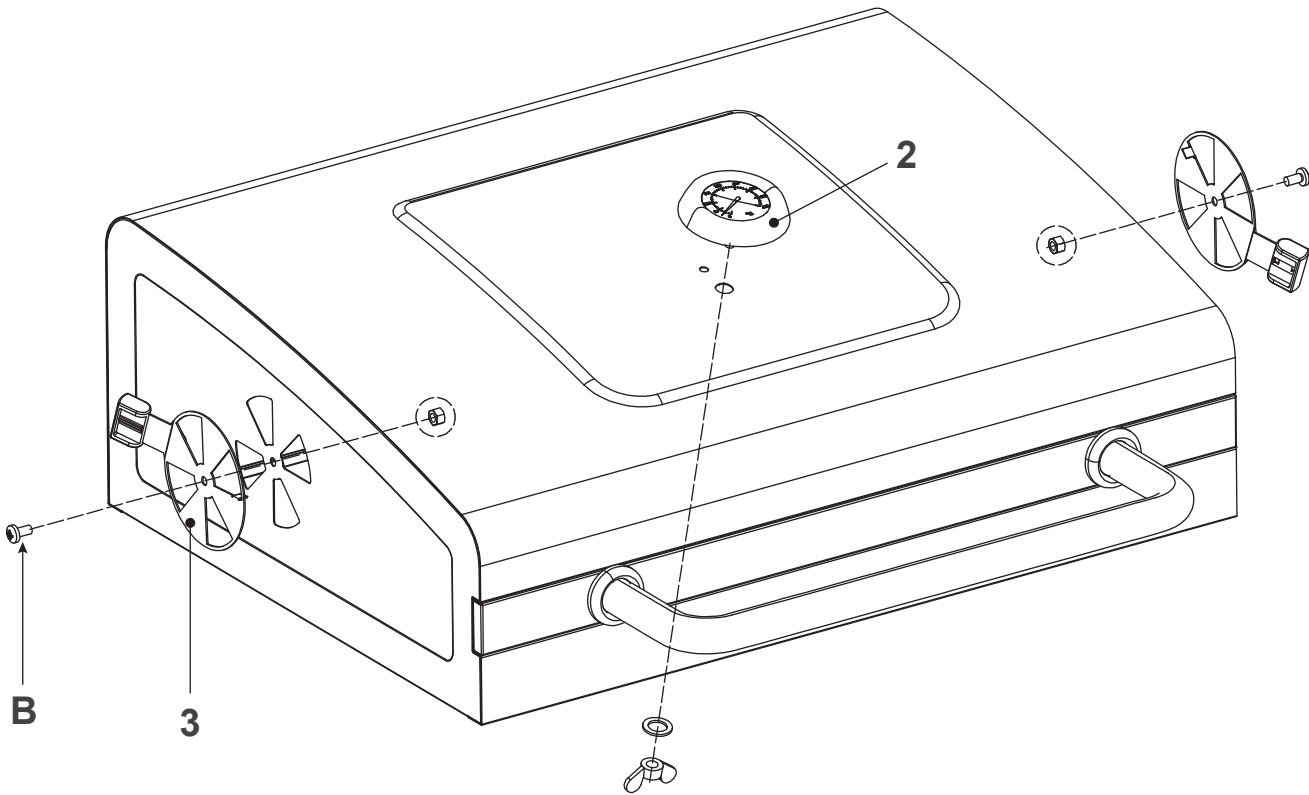
10



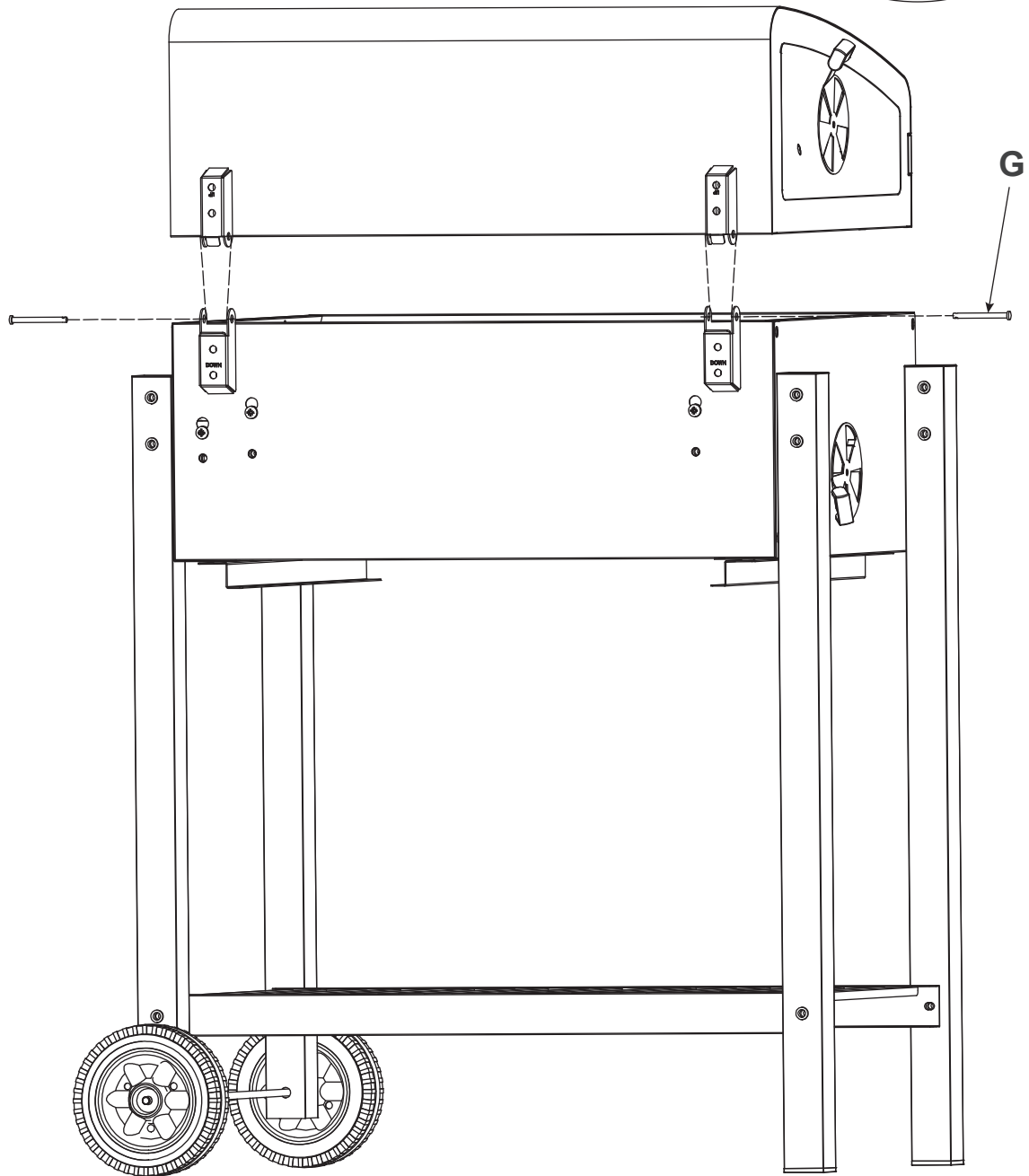
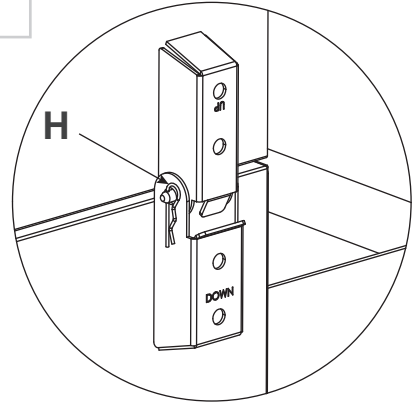
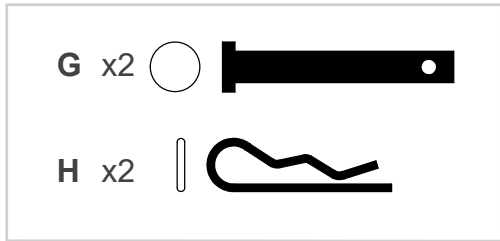
11



12



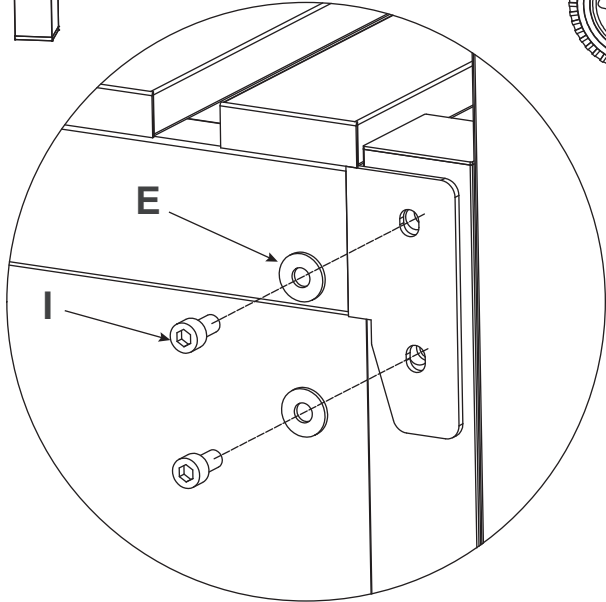
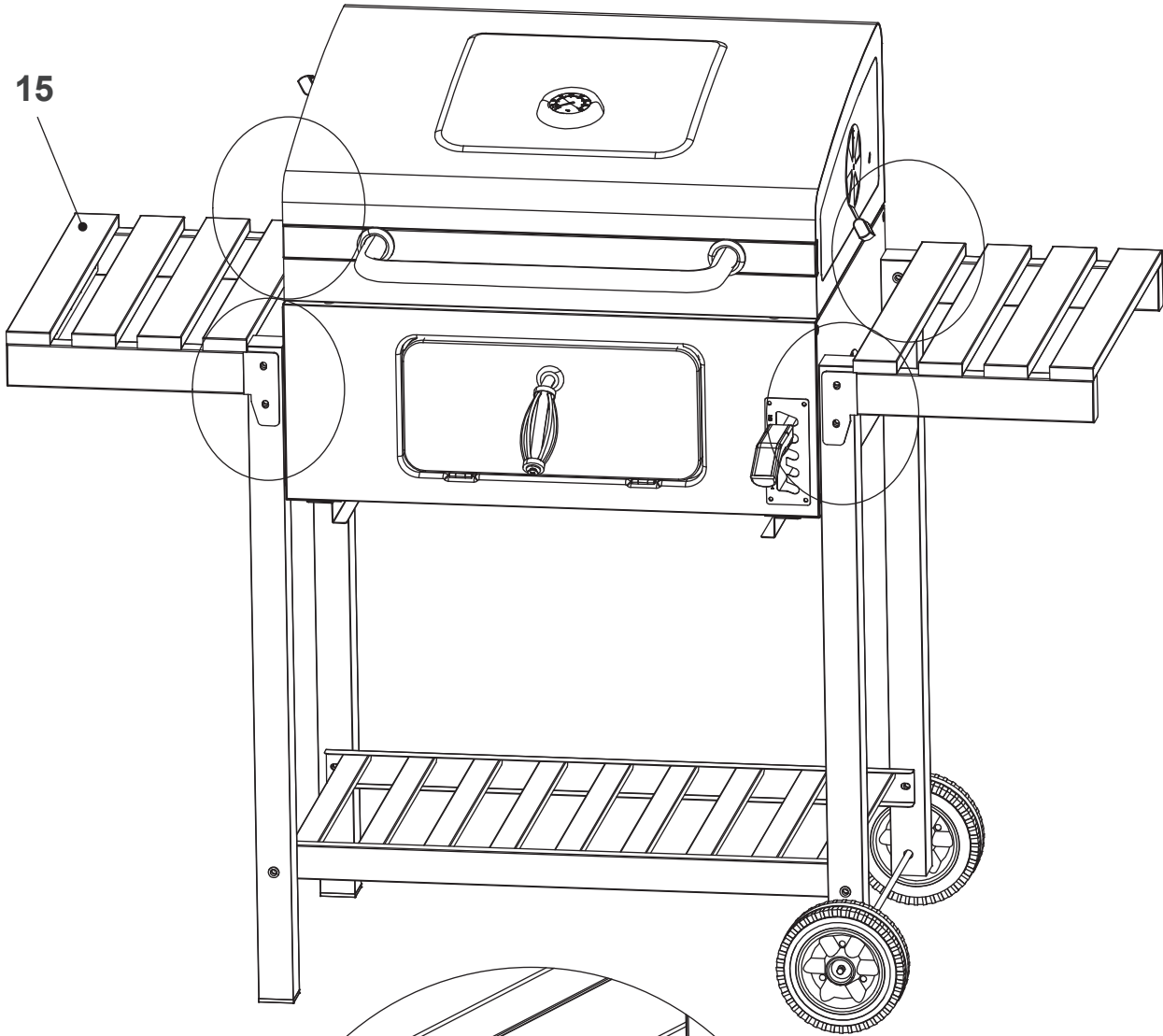
13



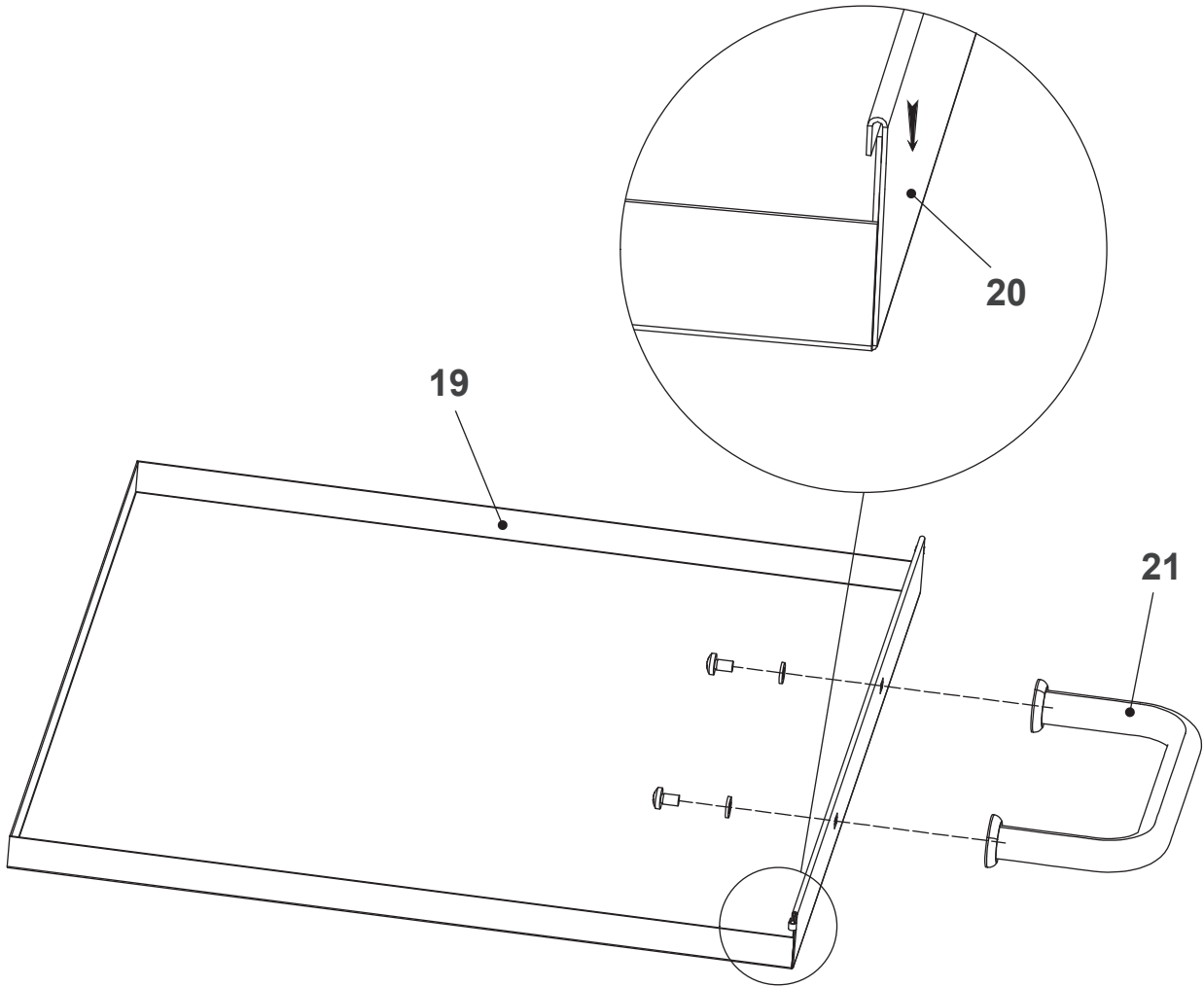
14



15

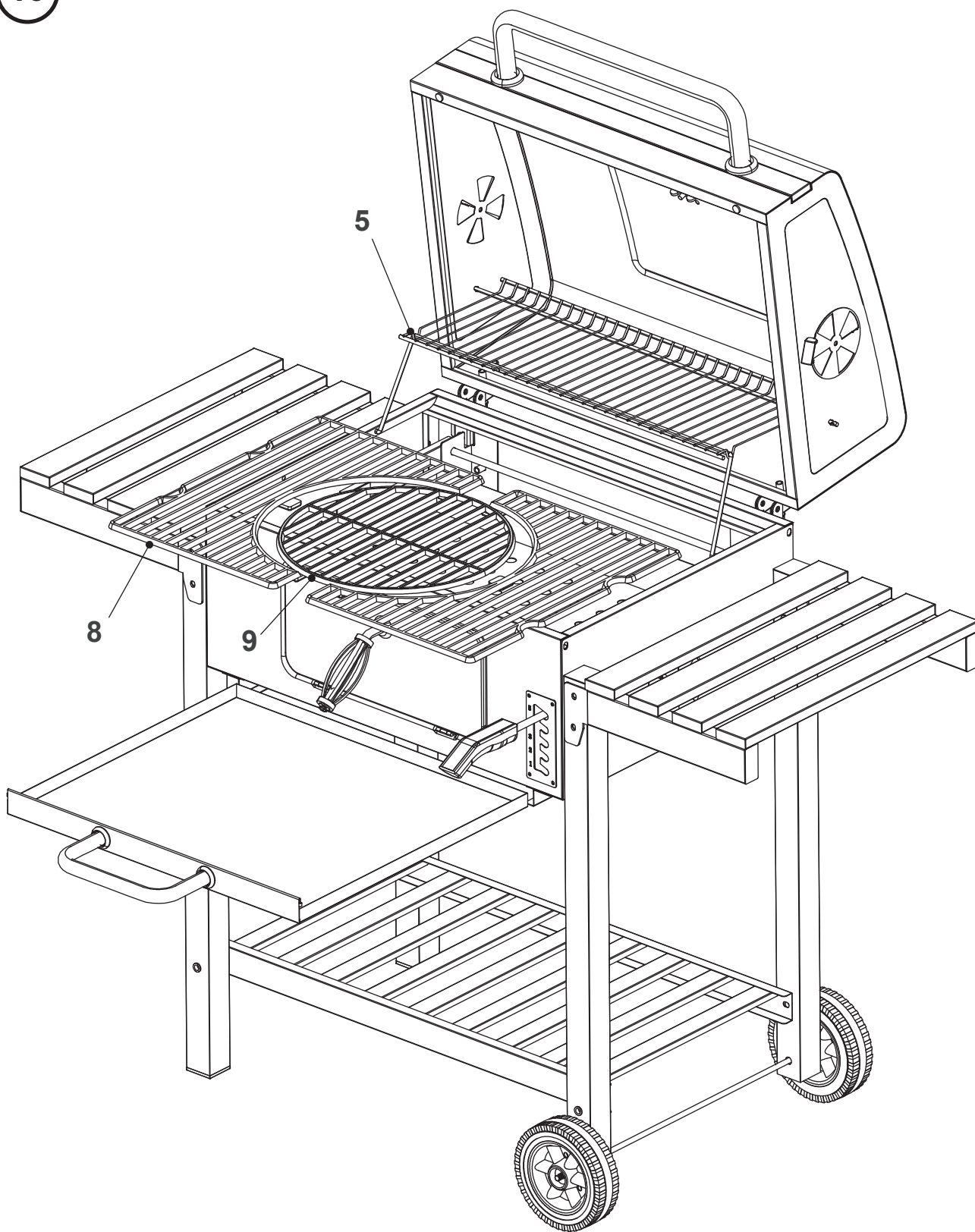


15





16





# MUSTANG

EN

**Assembly and operating instructions**

---

# Welcome to the world of Mustang grills

**We are happy that you ended up choosing a Mustang grill. Mustang wants to be your barbecue buddy and ensure the grilling experience of your dreams. Mustang was born out of the desire to enjoy unhurried and relaxed cooking together with family and friends, and this is the idea we also want to share with you.**

The Mustang grills and accessories are carefully designed and finished, and we are proud to represent them. Our long experience and expertise can be seen in all of our products. They include all essential functions and features. We are sure that this grill will bring you joy for a long time, as long as you remember to maintain and clean your grill according to the instructions in this manual.

## **The most extensive barbecue product selection**

Mustang is a brand owned by the Finnish company Tammer Brands Oy. Mustang offers all appliances, supplies, accessories and spare parts needed for grilling, as well as an extensive product selection for smoking food and making pizza. We know the barbecue culture inside and out, so we can ensure that you have access to the most suitable and modern products. Mustang is the only brand you need for a successful barbecue.

## **After sales service:**

Tammer Brands Oy,  
tel. +358 3 252 1111.  
Viinikankatu 36,  
FI-33800 Tampere, FINLAND

**TAMMER**  
BRANDS | EST 1954

**[mustang-grill.com](http://mustang-grill.com)**



**Read the manual before using the grill and save it for later use.**

**Follow us on social media**



**mustanggrill**

# Table of contents

<b>Assembly instructions</b> .....	3
Before you begin assembly .....	4
<b>Safety instructions and warnings</b> .....	30
Placing the grill .....	30
General safety instructions .....	31
<b>Using the charcoal grill</b> .....	32
Measures to perform before using the product for the first time .....	32
Measures to perform before each use .....	32
Igniting the charcoal grill with a match or long lighter .....	32
Igniting the charcoal grill with a chimney starter .....	33
Grilling at high temperatures .....	34
Grilling at low temperatures .....	34
Indirect grilling .....	34
Baking and roasting .....	35
General information about regulating the temperature .....	35
Raising/lowering the charcoal tray .....	36
Adding coals or briquettes during grilling .....	36
Charcoal quantity .....	36
Charcoal quantity in indirect grilling .....	37
Turning off your grill .....	37
Grease fire .....	37
Flame flaring up .....	37

<b>Useful tips</b> .....	38
General instructions for grilling .....	38
Marinades .....	38
Preventing food from sticking to the grill .....	38
Grilling temperature guide .....	39
<b>Cleaning and storing the grill</b> .....	41
Grill grates and griddles .....	41
Ash removal .....	41
Outer surfaces and steel parts of the grill .....	42
Maintenance .....	42
Storage .....	42
<b>Multigrill and accessories</b> .....	43
Cast iron Multigrill grilling system .....	43
Baking/pizza stone .....	43
Cast iron griddle .....	43
Shallow cast iron pan .....	44
Cast iron wok .....	44
<b>Troubleshooting</b> .....	45
<b>Warranty</b> .....	45

# Safety instructions and warnings

When starting to use this charcoal grill, you shall be obligated to carefully read through and pay attention to the warnings and safety instructions in this manual before using the grill. This grill has been manufactured according to standard EN1860-1.

Symbol explanations:  DANGER!  NOTE!

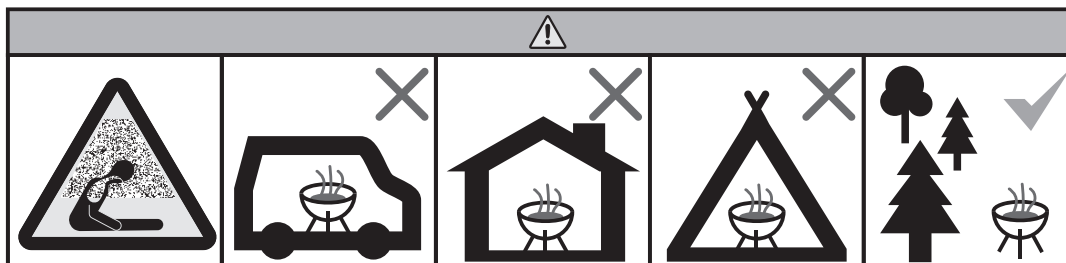
## Placing the grill

 **This grill is intended for outdoor use only. Never use it indoors or in enclosed spaces. Check the things to consider below.**

- Only use the grill outdoors.
- Do not use the grill next to a wall, in a garage, camper or trailer or another enclosed space, or indoors.
- Ensure that the grill is placed at least two meters away from flammable materials.
- Do not place the grill under a sunshade or canopy due to a risk of flaring.
- Ensure that a fire blanket/extinguisher and a first aid kit are available near the grill.
- Ensure that the grill is placed on a horizontal and heat-resistant surface, since hot embers may fly or drop out of the grill during normal use.
- Do not place the grill on or near sensitive surfaces, since grease and marinades may spill and splash out of the grill during normal use.
- Do not use the grill as a fireplace.

 **Failure to follow these instructions when placing the grill will cause a risk of fire.**

 **Using the grill indoors or in an enclosed space will cause a risk of carbon monoxide poisoning.**



## General safety instructions



**Using the charcoal grill for other than its intended purpose may pose a danger. Structurally modifying the grill, even in the smallest ways, is entirely forbidden. Check the things to consider below.**

- Follow the instructions of assembly carefully and ensure that no parts are left uninstalled during the assembly. If you do not follow the instructions or you have not installed all parts, you may experience problems when using the appliance. The user is responsible for correctly assembling the grill.
- Only use kindling compliant with standard EN1860-3. Do not use spirits, gasoline, alcohol or any similar chemicals to ignite the grill.
- Use caution when adding barbecue fluid on the coals. Do not allow the barbecue fluid to leak through the coals to the ground. The fluid can catch fire under the hot grill.
- Do not add barbecue fluid on burning charcoal or hot embers.
- The grill will heat up during use, so take special care if there are children, seniors or pets close to the grill.
- The grill works best with hardwood coals or briquettes.
- Do not burn firewood in the grill.
- Do not keep flammable materials or liquids in the immediate vicinity of the grill.
- Pay attention to the smoke caused by the grill; do not use the grill near open windows.
- Do not leave the grill unattended while it is in use.
- Wear heatproof mitts when using the grill.
- Do not use water to extinguish the grill: the water may damage the ceramic surfaces. Extinguish the grill by smothering the embers.
- Do not move the grill if it is being used or hot after use.
- Always check the grill before use in case of damage or wear. If necessary, replace any damaged parts.
- Do not use the grill if it is not functioning normally.
- Do not allow children to use the grill.
- Alcohol, prescription medication and intoxicants of all kinds may affect the user's ability to operate the grill in a safe and appropriate manner.



**When opening the hood of the grill, first lift the hood slightly to let air into the embers slowly and safely. This way, you can avoid excess flaring and damage.**

# Using the charcoal grill

## Measures to perform before using the product for the first time

When using the product for the first time, the main purpose is to ensure its functionality and check any loosening of the steel parts caused by thermal expansion.

1. Check that the grill is assembled according to instructions.
2. Ignite the grill according to instructions.
3. Let the charcoal burn out and wait for the grill to cool down completely.
4. Check all screws and tighten them as needed.
5. Your grill is now ready for use.

**i** Do not use the grill if the grill is damaged or it is missing parts.

**i** Do not add too much charcoal into the grill since excess heat may damage it.

## Measures to perform before each use

To operate the grill safely and appropriately, you need to perform a few checks before each use. Carefully go through the checklist below:

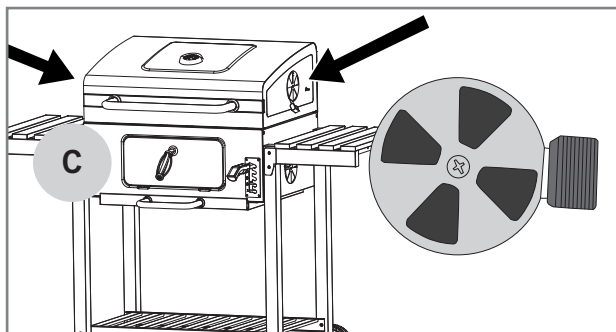
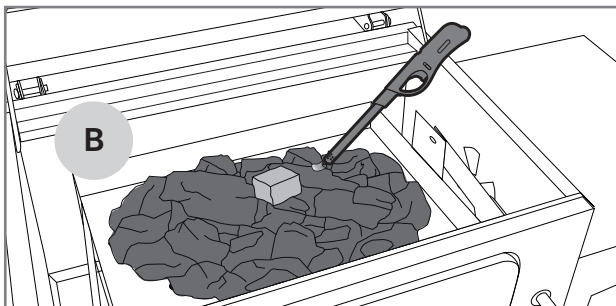
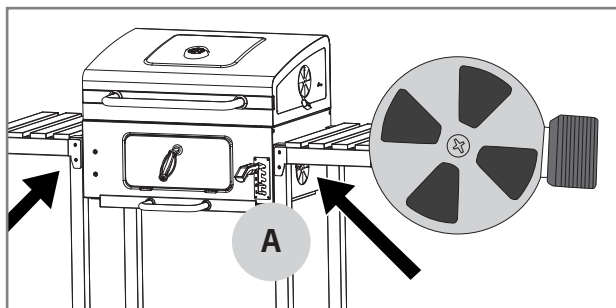
1. Check that the grill is placed according to instructions.
2. Check that there are no flammable materials or liquids in the immediate vicinity of the grill.
3. Remove any leftover ash from the firebox.
4. Clean and grease the grill grate or griddle with cooking oil.
5. Ignite the grill according to instructions.

**!** Do not use the grill if the grill is damaged or it is missing parts.

## Igniting the charcoal grill with a match or long lighter

Only use hardwood coals or briquettes in the charcoal grill. Only use kindling compliant with standard EN1860-3 for igniting the grill.

1. Open the hood of the grill and remove the grate.
2. Place about three handfuls of charcoal on the tray.
3. Also place a Mustang firelighter among the charcoal.
4. Open the lower valves fully (A).
5. Ignite the firelighter with a long match or lighter (B).
6. When the firelighters have ignited, close the hood and open the upper air valves fully (C).
7. When the embers or briquettes have turned light gray, the embers are ready for cooking.
8. Adjust the air valves to the desired point.
9. The grill is now ready for use.





**i** Do not use firewood or other wooden items to fuel the grill. Using the wrong type of fuel may damage the grill. Damage caused by unsuitable fuel is not covered by the warranty.

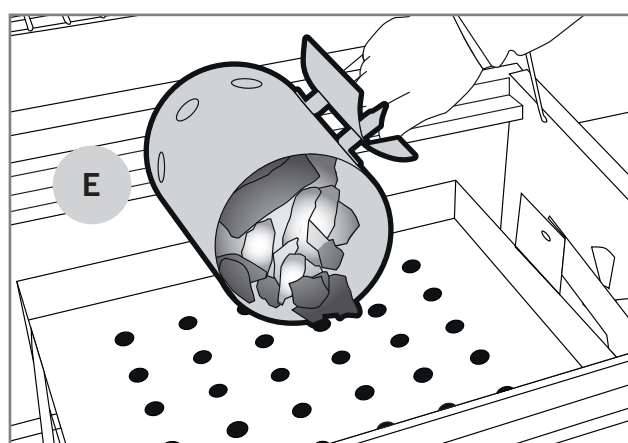
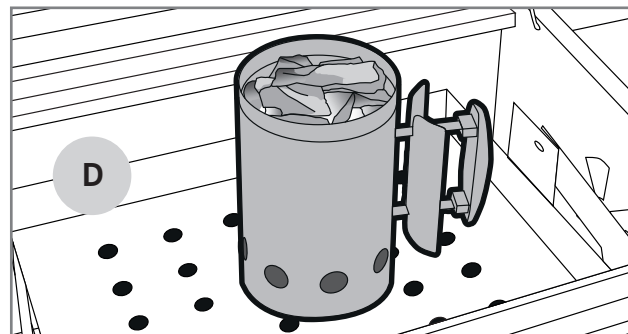
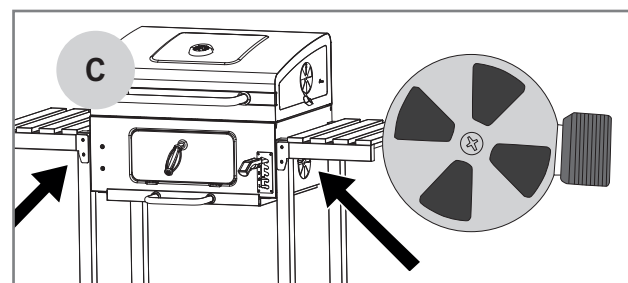
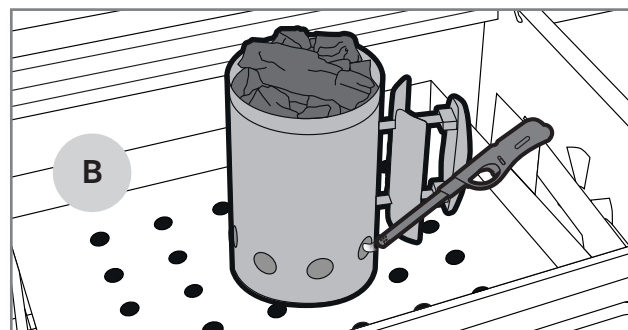
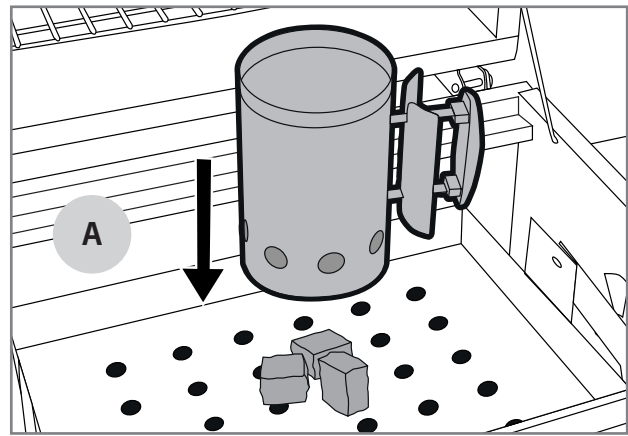
**i** Do not use gasoline, alcohol or any similar chemicals to ignite the grill.

**i** Use caution when adding barbecue fluid on the coals. Do not allow the barbecue fluid to leak through the coals to the ground. The warranty does not cover damage to the grill or its surroundings caused by leaked barbecue fluid.

## Igniting the charcoal grill with a chimney starter

For a quick barbecue, you can ignite the grill with a chimney starter. The Mustang chimney starter is sold separately.

1. Open the hood of the grill and remove the grate.
2. Place a few Mustang firelighters on the charcoal tray (A).
3. Position the chimney starter directly on top of the firelighters.
4. Fill the chimney starter with Mustang coals or briquettes.
5. Ignite the firelighters through the chimney starter's airholes using a long match or lighter (B).
6. Open the lower valves fully (C).
7. The coals/briquettes will be ready for use when you see flames on top of the chimney starter (D).
8. Place the burning coals/briquettes carefully on the charcoal tray (E). Remember to wear mitts!
9. Close the hood and adjust the air valves to the desired point.
10. The grill is now ready for use.

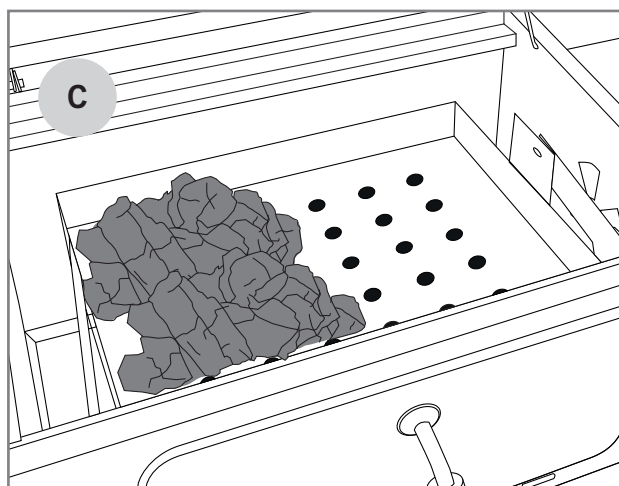
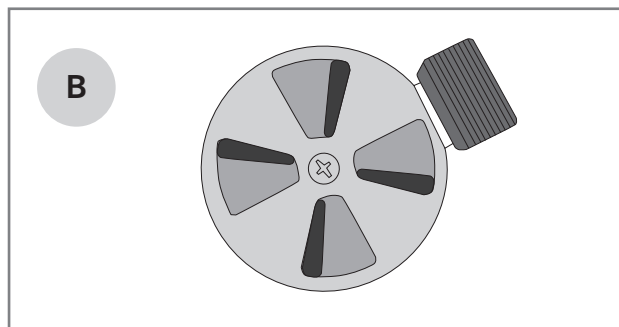
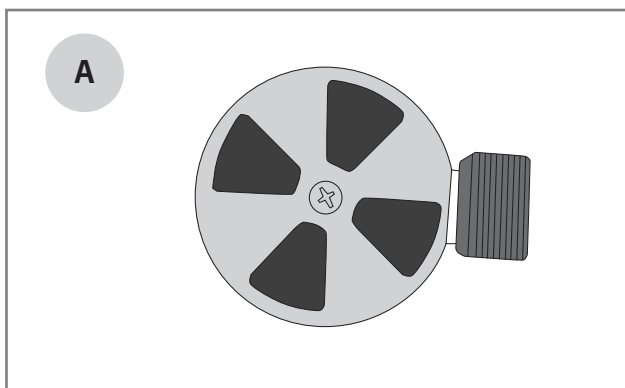


## Grilling at high temperatures

Foods that require quicker cooking are usually grilled at higher temperatures, 220–300°C. This way, the outer surfaces of the foods become crisper while the inner parts stay juicy.

1. Ignite the grill according to instructions.
2. Monitor the temperature of the thermometer on the hood.
3. When the desired temperature has been reached, leave all of the air valves fully open (A).
4. The grill is now ready for use.

**!** Open the hood of the grill carefully to let air into the embers slowly and safely. This way, you can avoid excess flaring and damage.



## Indirect grilling

Indirect grilling allows you to prepare dishes that require more time, such as whole roasts, chicken broiler and fish. Indirect grilling is also used for preparing pieces of meat that have been seared through direct heat. For indirect grilling, the coals are placed only on one side of the charcoal tray (C).

## Grilling at low temperatures

Especially with large pieces of meat, a longer grilling time at a lower temperature is recommended. This way, the meat becomes tender and does not dry up as easily. A low grilling temperature is also suitable for more sensitive ingredients. Instructions for grilling at low temperatures:

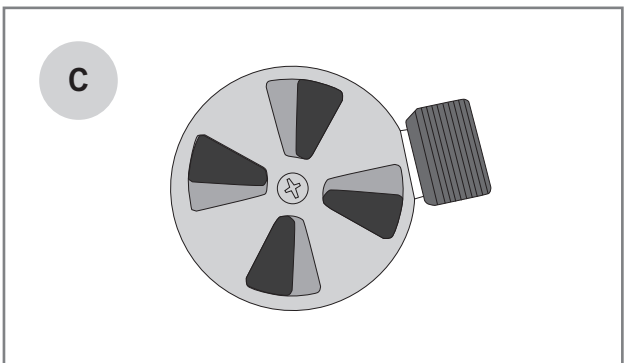
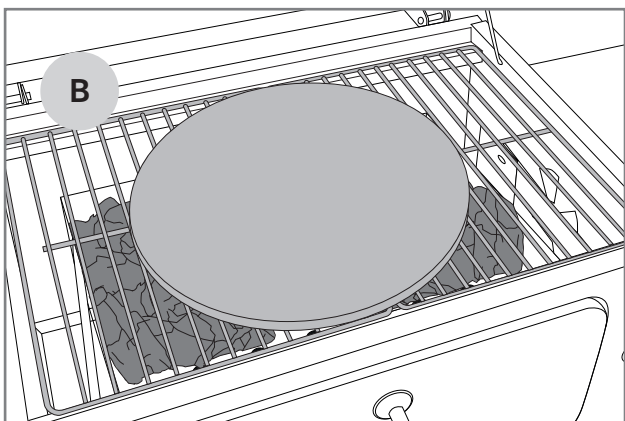
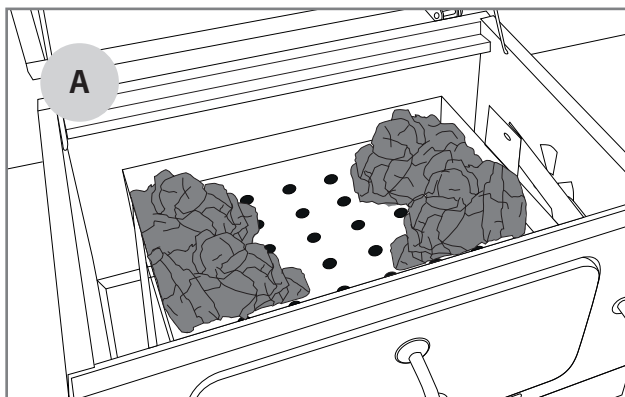
1. Ignite the grill according to instructions.
2. Monitor the temperature of the thermometer on the hood.
3. When you reach the desired temperature, close the upper and lower air valves as much as possible (B).
4. You can limit direct heat by moving the coals to one side of the grill (C).
5. The grill is now ready for use.

**i** Wear heatproof mitts when adjusting the air valves.

## Baking and roasting

The charcoal grill is also great for roasting when using a separate baking stone. The Mustang baking stones are sold separately.

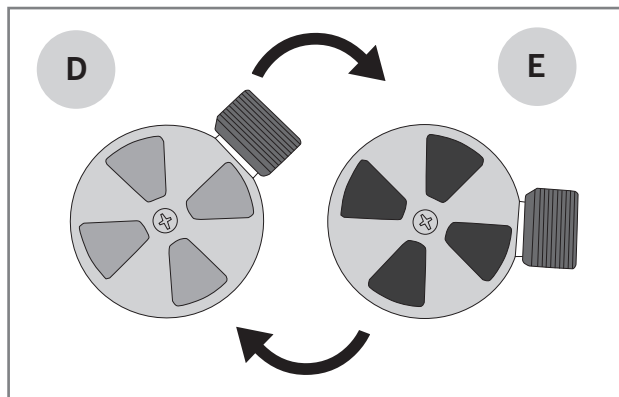
1. Place the coals on both sides of the charcoal tray (A).
2. Ignite the grill according to instructions.
3. When the firelighters have burned out, open the hood and put the baking stone in its place (B).
4. Close the hood, keep the air valves fully open and let the embers light up properly.
5. Monitor the temperature of the thermometer on the hood.
6. When the desired temperature has been reached, set all air valves to the mid-range (C).
7. The grill is now ready for use.



## General information about regulating the temperature

You can regulate the temperature of the charcoal grill by changing the air flow. The temperature is also affected by the quantity and quality of charcoal. Below is a list of the essentials of heat regulation:

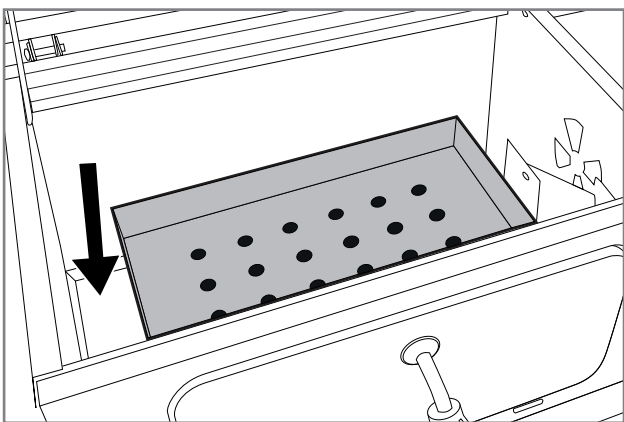
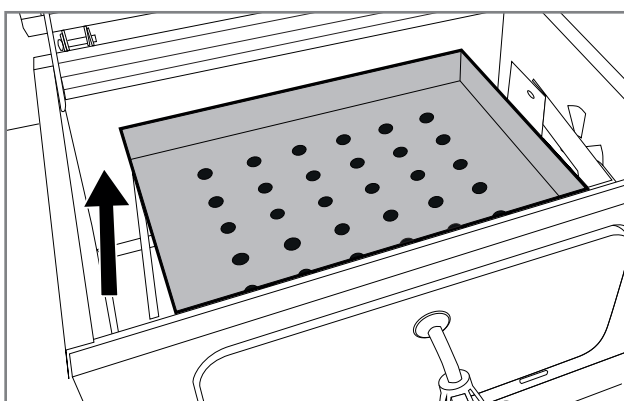
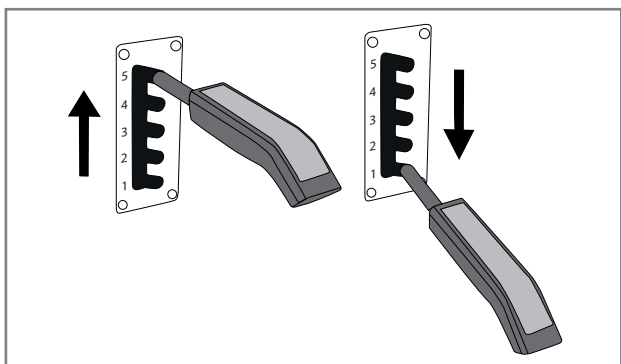
1. The lower air valves supply air into the grill, while the upper air valves remove it.
2. The lower air valves allow for rough temperature adjustment.
3. The upper air valves are used to fine-tune the temperature.
4. When you want to increase the temperature, the grill needs more air (D-E).
5. When you want to lower the temperature, you need to limit the grill's air supply (E-D).



## Raising/lowering the charcoal tray

You can also adjust the grilling temperature of the food by raising and lowering the charcoal tray. In the raised position, the food is exposed to a more precise and hotter temperature, while in the lower position the heat is distributed over a wider area. The temperature is also affected by the quantity and quality of charcoal as well as the adjustment of air vents.

The charcoal tray is raised and lowered to the appropriate height with a six-level adjustment lever.



## Adding coals or briquettes during grilling

When grilling good for a longer time, you may need to add coals or briquettes into the grill. This can be easily done by removing one of the grilling grates. If you wish to add coals or briquettes while grilling, follow the steps below:

1. Open the hood.
2. Remove one of the grilling grates and set it aside.
3. Add the coals or briquettes using long barbecue tongs and wearing mitts.
4. Replace the removed grill grate.
5. Close the hood.

**i** Whenever the hood is opened, the temperature inside the grill will change. This may alter the cooking time.

## Charcoal quantity

Choose the quantity of coals according to the food you are grilling and how you want to grill it. If you are grilling the food quickly on a high temperature, you can use the following table:

Grill diameter	Charcoal quantity
< 47 cm	0.3 – 0.5 kg
47 cm	0.6 – 0.8 kg
57 cm	1.0 – 1.2 kg

## Charcoal quantity in indirect grilling

Indirect grilling at low temperatures will require you to add coals during grilling. You can use the indicative table below to estimate the quantity of coals needed:

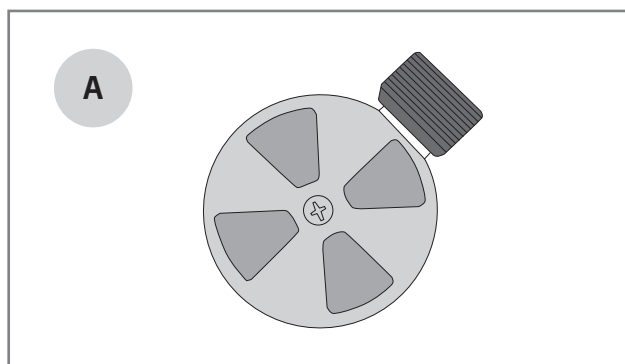
Grill diameter	Charcoal quantity	Additional charcoal needed per hour
< 47 cm	0.2 – 0.3 kg	0.3 kg
47 cm	0.3 – 0.4 kg	0.3 kg
57 cm	0.4 – 0.5 kg	0.4 kg

## Turning off your grill

When you have stopped using the grill, extinguish the grill following these steps:

1. Close the hood.
2. Close all air vents fully (A).
3. Keep the hood and the air valves closed until the next day to ensure that the embers have been extinguished and the grill has cooled down.

**i** Do not use water to extinguish charcoal. Throwing water on hot charcoal may damage the grill.



## Grease fire

Always remove extra grease or marinade from the bottom and walls of the grill, charcoal grate and grill grate.

If excess grease accumulates in the grill, the grease may start burning and cause a grease fire. The fire may damage the grill and the surroundings and be hazardous.

Please pay attention to the fire hazard, particularly when grilling large amounts of high-fat meats, in which case the grease from the meat will gather in the bottom of the grill.

## Flame flaring up

The flame flaring up occasionally is a normal reaction in a charcoal grill. It also adds taste to the food. If the flame flares up often, the grill's inner temperature increases and more grease drops from the food being grilled. In turn, these phenomena increase the risk of grease fires. This is why the flaring should be prevented through measures taken in advance.

1. Remove extra grease from the meat.
2. Aim to grill meat at the correct temperature.
3. Ensure that there is no extra grease or marinade on the bottom of the grill or the grill walls.
4. Keep the hood closed as often as possible.

**i** When you grill with the hood closed, the grill's temperature will be more even and easier to control.

# Useful tips

## General instructions for grilling

Grilling is very easy and relaxing once you keep a few rules in mind and make use of these general grilling instructions:

- **Wait until the coals or briquettes have properly lit up.** When they have turned light gray, the embers are ready for cooking.
- **The grill must heat up properly.** The ceramic casing retains heat efficiently, which helps with temperature regulation. Once the grates and griddles are sufficiently hot, food sticks to them less and the foods get a proper grilled surface.
- **Do not grill with dirty supplies.** Old marinades and food scraps easily stick to the grate and the food. Clean the grilling grids after each use. This way, they are ready for the next grilling session.
- **Keep the grilling supplies close at hand.** Controlling the proper grilling times and temperatures is easier when you have all the supplies, seasonings, marinades and dishes you need close to the grill.
- **Grill with the hood closed as often as possible.** When you grill with the hood closed, the grill's temperature does not decrease unnecessarily, and grilling is quicker.
- **Flip the meats as little as possible;** once is sufficient. When the food is allowed to cook slowly on the grate/griddle, it gets a nicely seared surface.
- **Use a thermometer!** If you grill the food for too long, the food will become dry and lose its flavor. You can achieve the best results if you also get a meat thermometer.
- **Let the meat settle for 10–20 minutes** before cutting/serving it. While the meat settles, its temperature becomes more even and the juices do not flow out excessively when cutting the meat.

## Marinades

The use of marinades is very common in grilling. Their purpose is to season the grilled food to taste. However, marinades also cause the food to stick to the grates. Similarly, oily marinades may spill on the firebox and cause the flame to flare up, or even cause grease fires. With these few tips, you can reduce the problems caused by marinades:

1. Try to wipe extra marinade off the food before putting them on the grill.
2. If you add marinade during the grilling, always use a cooking brush. Do not pour the marinade on the food straight from a bottle.
3. Opt for dry rubs during grilling.

**i** Do not use leftover marinade from preparing raw meat to season cooked food. In this case, the bacteria from the raw meat will transfer to the cooked food.

## Preventing food from sticking to the grill

Food sticking to the grate or griddle is a common phenomenon for all barbecue cooks. Here are a few tips to avoid excessive sticking:

1. Pre-heat the grill so that it is sufficiently hot.
2. Clean the grates and griddles before putting food on the grill.
3. Spread oil on the grilling surface and the food before putting it on the grill.
4. Try this: Cut an onion in half and rub the grill grate with the onion before you start grilling. The food will not stick to the grate.
5. Do not flip the food on the grill too quickly; let the surface be grilled properly.

## Grilling temperature guide

Below is a list of the indicative grilling times and temperatures for the most common ingredients. Elements such as wind, rain, outdoor temperature and the cleanliness of the grill may affect the time required.



### Beef

Ingredient	Thickness / weight	Grilling method	Grilling time
Tenderloin / sirloin steak	ca. 2 cm	Direct high heat	2.5 – 3.5 min per side
Tenderloin / sirloin steak	ca. 5 cm	Direct high heat Indirect medium heat	2.5 min per side 8 – 10 min
Whole tenderloin	ca. 1.5 kg	Direct high heat Indirect medium heat	3 min per side 20 – 30 min
Roast	ca. 1.5 kg	Direct medium heat Indirect medium heat	3 – 4 min per side 30 – 40 min
Hamburger patty	ca. 2 cm	Direct high heat	2 – 3 min per side
Inner temperature			
Rare – almost rare		47 – 51 °C	
Medium		52 – 58 °C	
Almost done – well done		59 – 66 °C	



### Pork

Ingredient	Thickness/weight	Grilling method	Grilling time
Filet steak, chop	ca. 2 cm	Direct high heat	2 – 2.5 min per side
Tenderloin	ca. 600 g	Direct high heat Indirect medium heat	3 min per side 20 – 30 min
Ribs	ca. 1.5 kg	Indirect medium heat Direct high heat	60 – 90 min 4 min per side
Loin	ca. 3 cm	Direct medium heat Indirect medium heat	2.5 – 3 min per side 15 – 20 min
Raw sausage	ca. 400 g	Direct low heat	2 – 3 min per side
Inner temperature			
Well-done filet		65 – 70 °C	
Well-done, other ingredients		65 – 70 °C	



## Chicken and turkey

Ingredient	Thickness/weight	Grilling method	Grilling time
Breast filet	ca. 200 g	Direct medium heat	5 – 6 min per side
Leg	ca. 120 g	Direct medium heat	5 – 6 min per side
Wingsit	ca. 500 g	Direct medium heat Indirect medium heat	6 – 10 min 30 – 40 min
Whole chicken	ca. 900 g	Indirect medium heat	60 – 75 min
Inner temperature			
Well-done		75 °C	

## Fish

Ingredient	Thickness/weight	Grilling method	Grilling time
Thin filet	ca. 200 g	Direct medium heat	2 – 3 min per side
Thick filet	ca. 120 g	Direct medium heat	5 – 6 min per side
Whole fish	ca. 500 g	Indirect medium heat	20 – 30 min
Inner temperature			
Rosé		45 – 50 °C	
Well-done		55 – 60 °C	



## Vegetables

Ingredient	Thickness/weight	Grilling method	Grilling time
Cooked corn		Direct medium heat	6 min
Tomato		Direct medium heat	6 min per side
Asparagus		Direct medium heat	3 – 5 min
Sliced potato		Direct medium heat Indirect medium heat	5 – 8 min 10 – 15 min
Uncooked potato		Indirect medium heat	45 – 60 min



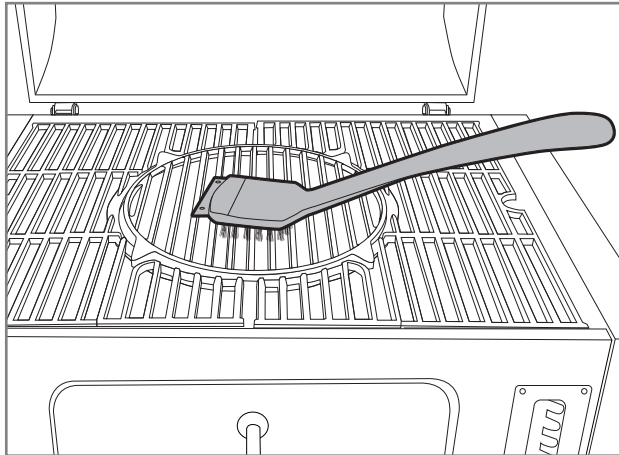
# Cleaning and storing the grill

You can extend the service life of your grill significantly if you clean and maintain it regularly. If the grill does not heat up sufficiently or food sticks excessively to the grates, the grill has not been cleaned or maintained as instructed.

## Grill grates and griddles

Always clean the grates and griddles immediately after use when the grill is still warm. Use a brush or scraper designed for cleaning grills.

You can also wash grates and griddles with mild soap and warm water. Remember to dry and grease the grill grates and griddles thoroughly after washing them.



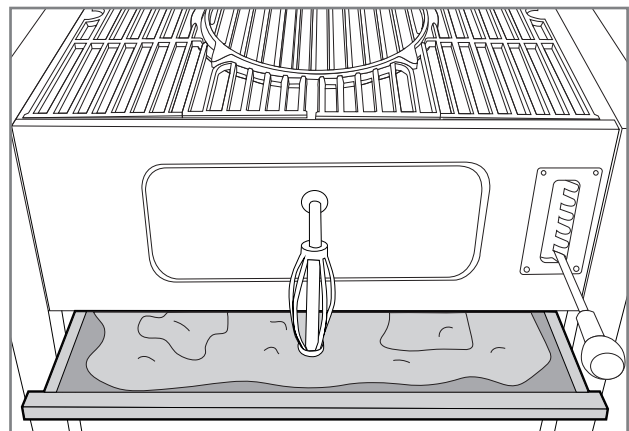
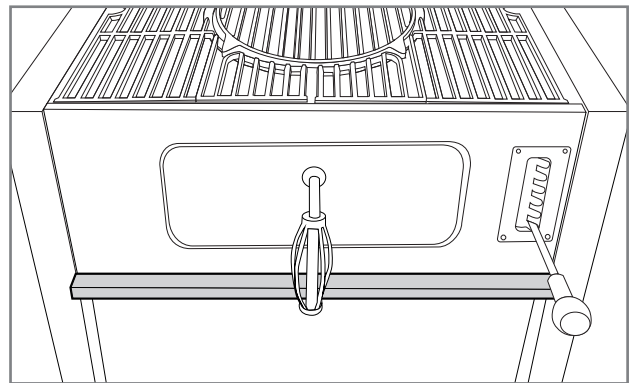
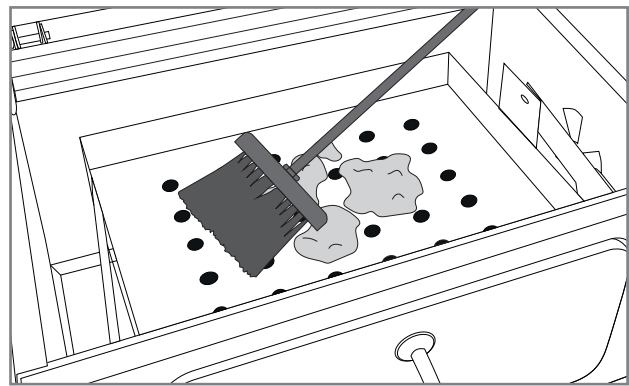
**i** Do not use a steel brush intended for welding to clean the grill. The warranty does not cover damage caused by such a steel brush.

## Ash removal

When you are sure the embers have been extinguished and the grill has cooled down, you can remove the ash and clean the charcoal tray.

When the weather is humid, fine ash may get wet and cause the charcoal tray to rust. Don't forget to clean the charcoal tray regularly.

Clean the charcoal tray by brushing and remove the ashes with an ash tray.



## Outer surfaces and steel parts of the grill

You must also clean the outer surfaces and other steel parts of the grill regularly. You can follow the general instructions below for cleaning such components.

1. Clean the steel parts of the grill with Mustang grill cleaning fluid or mild dishwashing liquid and a cloth.
2. Do not forget to dry the cleaned parts carefully.
3. Do not use detergents for cleaning the surfaces with warning labels, as they may remove the text or other labels.
4. Clean all of the grill's outer surfaces at least three times a year so that stains do not stick to the surfaces.
5. Always test the suitability of a new detergent on an unnoticeable spot.

**i** Chloride and salt may cause the grill to rust. If the grill is being used in the immediate vicinity of seawater or a pool, the grill must be cleaned weekly.

## Maintenance

We recommend that you treat the steel parts with a steel maintenance oil 2–3 times a year. You can find these oils in a store. This way, you can prevent stains and rust spots from appearing on the steel surfaces.

Verify the oil's suitability before use: first test it on a less visible spot.

Check the tightness of the screws on the trolley, air valves and handles regularly. Wide temperature fluctuations may cause the screws to loosen.

Grease the moving steel parts of the hinge with multi-purpose oil twice a year.

**i** Do not use an electric screwdriver to tighten the screws, as this may damage the screws or other steel parts. Damage due to the excessive tightening of the screws is not covered by the warranty.

## Storage

Check these instructions if you stop using the grill for a longer time or you wish to put the grill into storage for the winter, for example. Proper storage prolongs the grill's service life and keeps it operational for many years. When storing the grill, follow these instructions:

1. Clean the grill completely according to the instructions in the manual.
2. Ensure that all grill grids are greased.
3. If the grill is stored outdoors, remove the grates and griddles from the grill. These parts need to be stored in a dry and warm space. It is also recommended that you wrap these parts into newspapers or similar so that the surfaces do not get scratched.
4. If the grill is stored outdoors, it is recommended that you purchase a high-quality cover for it that covers it all the way down. Ensure that air can circulate even under the cover.

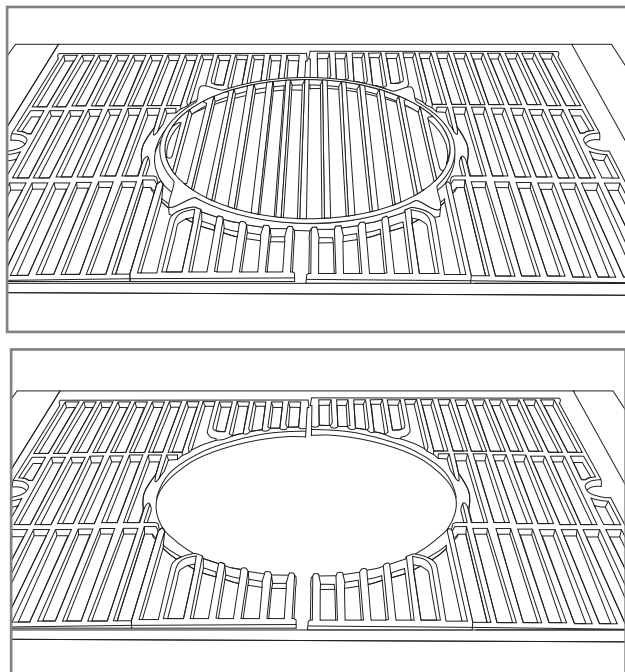
**i** Do not store the grill in a place where snow falling from the roof can hit it. The warranty does not cover damage caused by snow and ice.

# Multigrill and accessories

## Cast iron Multigrill grilling system

Some models are equipped with the Multigrill grilling system as standard, for which various grilling accessories are available.

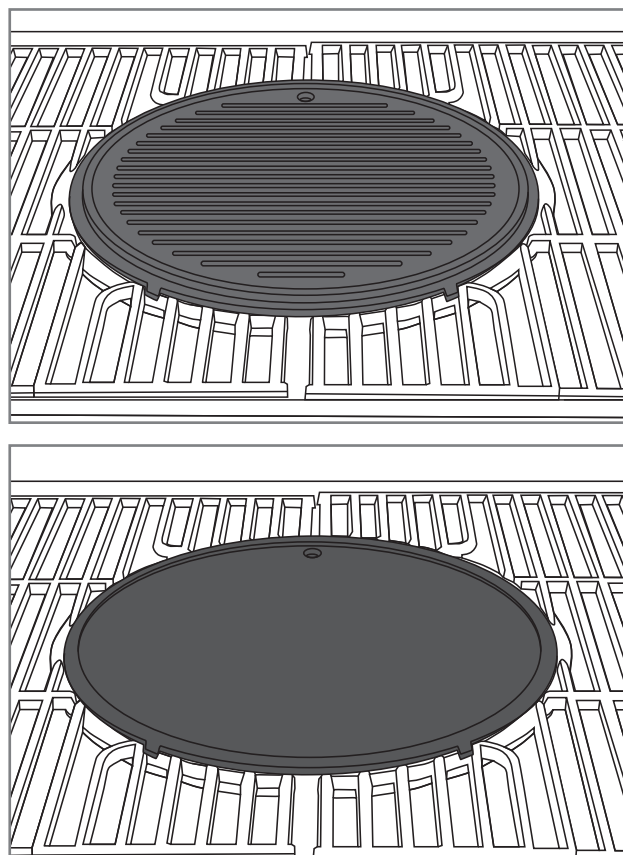
For models without the Multigrill grilling system, some of the accessories can be used directly on the grill grate.



## Cast iron griddle

Product codes: 603434

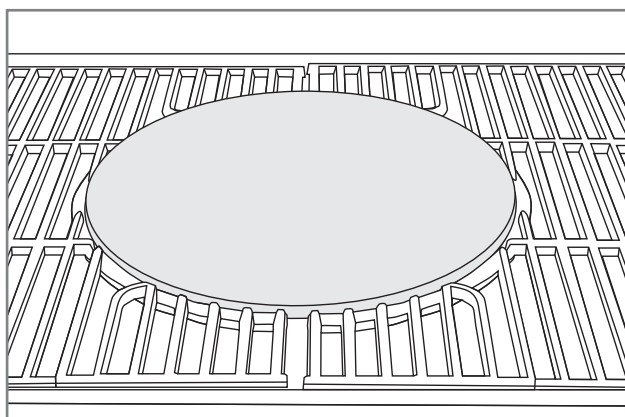
One side of the griddle has grooves, the other side is flat. Ø 30 cm.



## Baking/pizza stone

Product code: 316871

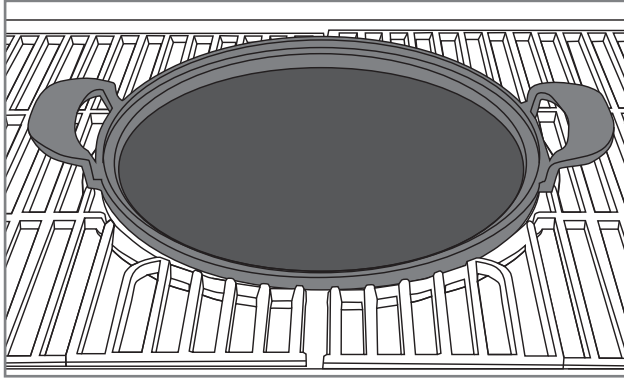
The Mustang baking stone Ø 30.5 cm is made of durable cordierite. You can use the baking stone to bake bread, pie and pizza.



## Shallow cast iron pan

Product code: 603435

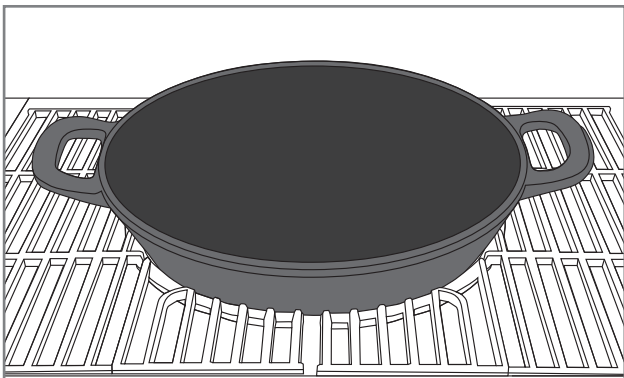
The shallow cast iron pan makes it easy to cook any type of food. Practical handles make lifting the pan out of the grill easy. Ø 30 cm.



## Cast iron wok

Product codes: 603438

Mustang cast iron wok pan is ideal for stir-frying a variety of vegetables and other dishes on the grill. Handles for easy lifting. Ø 30 cm.



# Troubleshooting

Malfunctions may occur in all grills. These malfunctions are usually easy to fix. If you cannot find a solution for your problem in the table below, please contact the seller.

Problem	Possible cause	Solution
The air valves are not working properly.	The screws of the air valves are too tight.	Loosen the screws of the air valves.
	The valves are stuck due to dirt and grease.	Loosen the screws of the valves and clean the valves.
The grill does not light up.	The air valves are closed.	Open the air valves.
	The charcoal or briquets have become wet.	Replace the charcoal or briquets.
The grill is not heating sufficiently.	The fire is not getting enough oxygen.	Open the lower air valves fully.
	There is not enough charcoal.	Add charcoal and open the lower air valves.
The grill overheats.	The grill is getting too much oxygen.	Close the air valves and wait for the embers to die out. When the temperature has lowered, open the air valves slightly. If necessary, ignite the grill again.

# Warranty

Mustang charcoal grills have a manufacturing and material warranty of 12 months, at the minimum. However, the terms of the warranty vary by model. You can find the up-to-date warranty terms and periods on our website

**[mustang-grill.com](http://mustang-grill.com)**

To take care of any warranty matters, you will need a purchase receipt that indicates the place and date of purchase.



FI

Asennus- ja käyttöohje

---

# Tervetuloa mukaan Mustangin grillausmaailmaan

Olemme onnellisia, että valintasi osui Mustang-grilliin. Mustang haluaa toimia grillauska-verinasi ja varmistaa unelmiesi grillauselämyksen. Mustang on syntynyt halusta nauttia kiireettömästä, rennosta ruuanlaitosta yhdessä perheen tai ystävien kanssa ja tämän saman ajatuksen haluamme tarjota myös sinulle.

Mustang-grillit ja -tarvikkeet on huolellisesti suunniteltu ja viimeistelty, joten pystymme seisomaan ylpeänä niiden takana. Pitkä kokemuksemme ja ammattitaitomme näkyvät jokaisessa tuotteessamme ja niistä löytyvät kaikki oleelliset toiminnallisuudet ja ominaisuudet. Olemme varmoja, että tästä grillistä on sinulle iloa pitkäksi aikaa, kunhan vain muistat huoltaa ja puhdistaa grillisi tämän käyttöoppaan ohjeiden mukaisesti.

## Kaikkein laajin grillausvalikoima

Mustang on suomalaisen Tammer Brands Oy:n omistama tuotemerkki. Mustang tarjoaa kaikki grillaamiseen tarvittavat laitteet, välineet, tarvikkeet ja varaosat sekä laajan valikoiman tuotteita savustukseen ja pizanpaistoon. Tunnetun grillauskulttuurin täydellisesti, joten voimme varmistaa, että saatavillasi on juuri oikeat ja nykyaikaisimmat tuotteet. Mustang on siis ainoa merkki minkä tarvitset onnistuneeseen grillaukseen.

## Asiakaspalvelu

Tammer Brands Oy,  
puh. 03 252 1111  
Viinikankatu 36,  
33800 Tampere, Finland

**TAMMER**  
BRANDS | EST 1954

[mustang-grill.com](http://mustang-grill.com)



Lue käyttöohjeet läpi ennen grillin käyttöä ja säilytä ne myöhempää tarvetta varten.

Seuraa meitä somessa



**mustanggrill**

# Sisällysluettelo

<b>Kokoamisohjeet</b> .....	3
Ennen asentamista .....	4
<b>Turvallisuusohjeet ja varoitukset</b> .....	50
Grillin sijoittaminen .....	50
Yleiset turvallisuusohjeet .....	51
<b>Hiiligrillin käyttäminen</b> .....	52
Toimenpiteet ennen ensimmäistä käyttökertaa .....	52
Toimenpiteet ennen jokaista käyttökertaa .....	52
Hiiligrillin sytyttäminen tulitikulla tai pitkällä sytyttimellä .....	52
Hiiligrillin sytyttäminen sytytyspiipun avulla .....	53
Grillaaminen korkealla lämpötilalla .....	54
Grillaaminen matalalla lämpötilalla .....	54
Epäsuora grillaus .....	54
Paistaminen .....	55
Lämpötilan säätö yleisesti .....	55
Hiilikaukalon nostaminen / laskeminen .....	56
Grillihiihien tai brikettien lisääminen grillaamisen aikana .....	56
Grillihiihien määrä .....	56
Grillihiihien määrä epäsuorassa grillauksessa .....	57
Grillin sammuttaminen .....	57
Rasvapalo .....	57
Liekin leimahtelu .....	57



<b>Hyödyllisiä ohjeita</b> .....	58
Yleisiä grillausohjeita .....	58
Marinadit .....	58
Ruoan tarttumisen välttäminen .....	58
Grillausopas lämpötiloihin .....	59
<b>Grillin puhdistus ja varastointi</b> .....	61
Grillausritilät ja -parilat .....	61
Tuhkan poistaminen .....	61
Grillin ulkopinnat ja teräsosat .....	62
Huolto .....	62
Varastointi .....	62
<b>Multigrill ja lisävarusteet</b> .....	63
Valurautainen Multigrill -grillausjärjestelmä .....	63
Paistokivi / pizzakivi .....	63
Valurautaparila .....	63
Matala valurautapannu .....	64
Valurautainen wok-pannu .....	64
<b>Vianmääritys</b> .....	65
<b>Takuu</b> .....	65

## Turvallisuusohjeet ja varoitukset

Käyttäessäsi tätä hiiligrilliä, olet velvoitettu lukemaan huolellisesti ja kiinnittämään huomiota tässä käyttöoppaassa oleviin varoituksiin ja turvallisuusohjeisiin ennen grillin käyttämistä. Tämä grilli on valmistettu standardin EN1860-1 mukaisesti.

Merkkien selitykset:  VAARA!  HUOM!

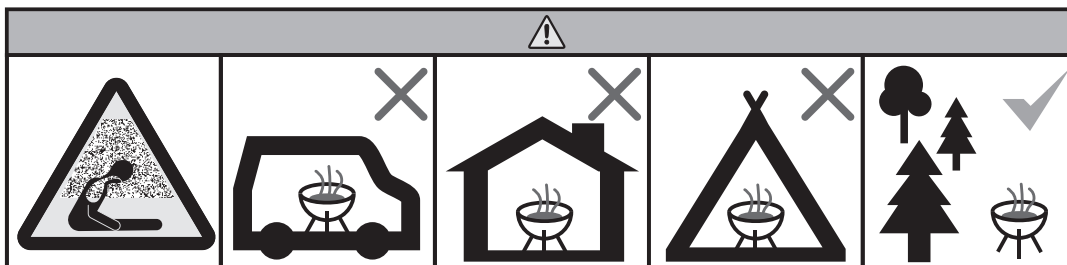
### Grillin sijoittaminen

 Tämä grilli on tarkoitettu ainoastaan ulkokäyttöön, eikä sitä saa koskaan käyttää sisätiloissa tai suljetussa tilassa. Katso alta huomioitavat kohdat

- Käytä grilliä vain ulkona.
- Älä käytä grilliä seinän vieressä, autotallissa, asuntoautossa tai -vaunussa, muussa suljetussa tilassa tai sisällä.
- Varmista että grilli on sijoitettu vähintään kahden metrin päähän syttyivistä materiaaleista.
- Grilliä ei saa sijoittaa markiisiin tai aurinkovarjon alle leimahdusriskin takia.
- Varmista, että grillin läheisyydestä löytyy sammutinpeite / käsisammutin sekä ensiapupakkaus.
- Varmista että grilli on sijoitettu vaakasuoralle ja lämpöä kestäväälle alustalle, koska grillistä voi normaalikäytössä lentää tai tipahtaa kuumia kekäleitä.
- Grilliä ei saa sijoittaa arkojen pintojen päälle tai läheisyyteen, koska grillistä voi normaalikäytössä roiskua ja valua rasvaa sekä marinadeja.
- Älä käytä grilliä tulisijana.

 Ohjeiden vastaisesta sijoittamisesta aiheutuu tulipalovaara.

 Sisätiloissa ja suljetussa tiloissa grillin käyttäminen aiheuttaa häikämyrkytyksen vaaran.



## Yleiset turvallisuusohjeet



**Hiiligrillin käyttäminen muuhun kuin suunniteltuun tarkoitukseen voi aiheuttaa vaaraa ja grillin pienikin rakenteellinen muuttaminen on kaikilta osin kielletty. Katso alta huomioitavat kohdat.**

- Seuraa kokoamisohjeita tarkasti ja huomioi, että kasaamisessa ei saa jättää osia kiinnittämättä. Jos ohjeita ei noudateta tai osia on jäänyt kiinnittämättä, voi ilmetä ongelmia käytössä. Grillin asianmukainen kokoaminen on käyttäjän vastuulla.
- Käytä vain standardin EN1860-3 mukaisia sytykkeitä. Älä käytä sytyttämiseen spriitä, bensiiniä, alkoholia tai muita vastaavia kemikaaleja.
- Ole varovainen kun laitat sytytysnestettä hiilien päälle. Sytytysnestettä ei saa päästää valumaan hiilien läpi maahan. Maassa oleva neste voi sytyä palamaan kuumen grillin alla.
- Älä lisää sytytysnestettä palaviin hiiliin tai kuumaan hiillockseen.
- Grilli kuumenee käytön aikana, joten ole erityisen tarkkaavainen, jos ympärillä on lapsia, vanhuksia tai lemmikkejä.
- Grilli toimii parhaiten lehtipuu grillihiilillä tai grillibriketeillä.
- Grillissä ei saa polttaa puuhalkoja.

- Grillin välittömässä läheisyydessä ei saa olla helposti syttyvää materiaalia tai nesteitä.
- Huomioi grillin käyttämisestä syntyvä savu, älä käytä grilliä avoimien ikkunoiden läheisyydessä.
- Grilliä ei saa jättää vartioimatta käytön aikana.
- Muista käyttää kuumaa kestäviä grillihanskoja käyttäessäsi grilliä.
- Älä käytä vettä sammuttaessasi grilliä. Sammuta grilli tukahduttamalla hiillos.
- Älä siirrä grilliä, jos grilli on käytössä tai vielä kuuma käytön jäljiltä.
- Tarkista grilli aina ennen käyttöä vaurioiden ja kulumisen varalta ja vaihda tarvittaessa vaurioitunut osa uuteen.
- Älä käytä grilliä, jos se ei toimi normaalisti.
- Älä anna lasten käyttää grilliä.
- Alkoholi, reseptilääkkeet ja kaikenlaiset päihteet voivat vaikuttaa käyttäjän kykyyn käyttää grilliä turvallisesti ja asianmukaisesti.



**Avatessasi grillin kantta, raota sitä aluksi varovasti, jotta hiillos saa ilmaa hitaasti ja turvallisesti. Näin vältetään ylimääräiset liekin leimahdukset eikä synny vahinkoja.**

# Hiiligrillin käyttäminen

## Toimenpiteet ennen ensimmäistä käyttökertaa

Ensimmäisen käytön tarkoitus on varmistaa grillin toimivuus, sekä tarkistaa teräsosien mahdollisesta lämpölaajenemisesta johtuvat löystymiset.

1. Varmista, että grilli on kasattu asennusohjeen mukaisesti.
2. Sytytä grilli ohjeiden mukaisesti.
3. Anna hiilien palaa loppuun ja odota, että grilli on täysin jäähtynyt.
4. Tarkista kaikki ruuvit ja kiristä tarvittaessa.
5. Grillisi on nyt käyttövalmis.

**i** Älä käytä grilliä, jos grilli on vahingoittunut tai grillistä puuttuu osia.

**i** Älä laita grillihiiliä liikaa, koska liiallinen kuumuus voi vaurioittaa grilliä.

## Toimenpiteet ennen jokaista käyttökertaa

Grillin turvallinen ja asianmukainen käyttö edellyttää muutamaa tarkistusta ennen jokaista käyttökertaa. Käytä alta löytyvä tarkistuslista huolellisesti läpi:

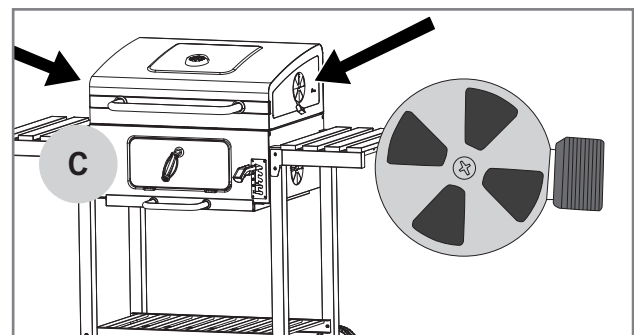
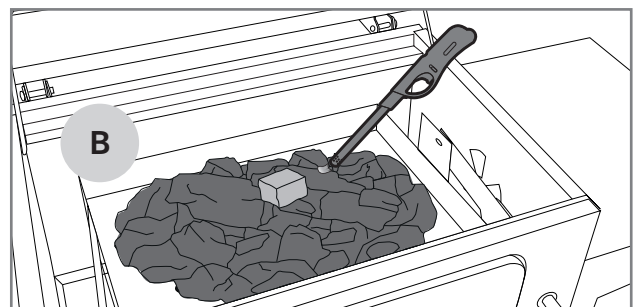
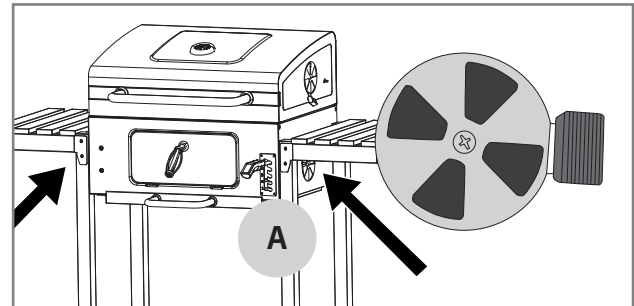
1. Tarkista, että grilli on sijoitettu käyttöohjeen mukaisesti.
2. Tarkista, että grillin välittömässä läheisyydessä ei ole helposti syttyviä materiaaleja tai nesteitä.
3. Poista edellisen grillauskerralta mahdollisesti jäljelle jääneet tuhkat tulipesästä.
4. Puhdista ja öljyä grilliritilä / -parila ruokaöljyllä.
5. Sytytä grilli ohjeiden mukaisesti.

**!** Älä käytä grilliä, jos grilli on vahingoittunut tai grillistä puuttuu osia.

## Hiiligrillin sytyttäminen tulitikulla tai pitkällä sytyttimellä

Hiiligrillissä saa käyttää vain lehtipuuhiiliä tai brikettejä. Sytyttämiseen saa käyttää vain standardin EN1860-3 mukaisia sytykkeitä.

1. Avaa grillin kansi ja poista grilliritilä.
2. Laita hiiliritilän päälle n. 3 kourallista grillihiiliä.
3. Lisää hiilien sekaan Mustang sytytyspala.
4. Avaa alemmat ilmaventtiilit täysin auki (A).
5. Sytytä sytytyspalat pitkällä tulitikulla tai pitkällä sytyttimellä (B).
6. Kun sytytyspalat ovat syttyneet niin sulje kansi ja avaa ylemmät ilmaventtiilit täysin auki (C).
7. Kun hiillos tai briketit ovat muuttuneet vaaleanharmaiksi, hiillos on valmis.
8. Säädä ilmaventtiilit haluttuun kohtaan.
9. Grilli on käyttövalmis.



**i** Älä käytä grillin polttoaineena halkoja tai muuta puutavaraa. Väärän polttoaineen käyttö voi vaurioittaa grilliä ja tästä syystä aiheutuneet vahingot eivät kuulu takuun piiriin.

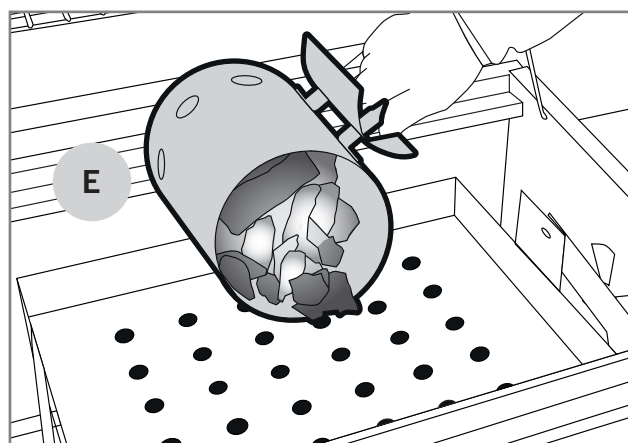
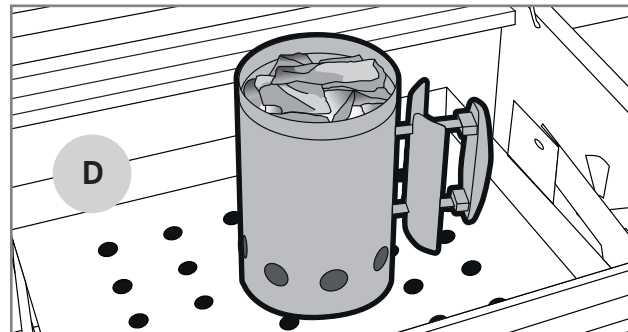
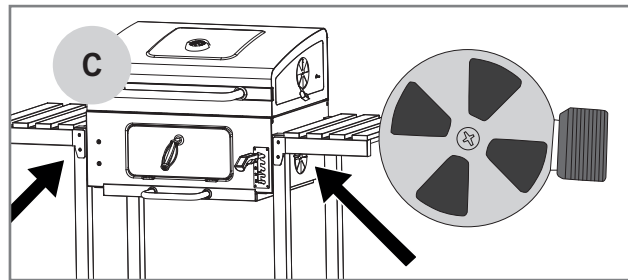
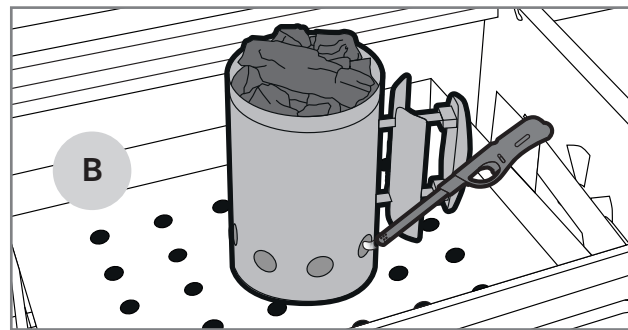
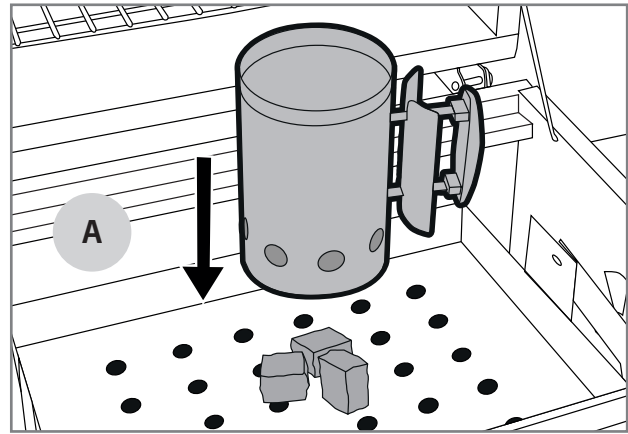
**i** Älä käytä grillin sytyttämiseen bensiiniä, spritiä tai muita vastaavia kemikaaleja.

**i** Ole varovainen, kun laitat sytytysnestettä hiilien päälle. Sytytysnestettä ei saa päästää valumaan hiilien läpi maahan. Valuneesta sytytysnesteestä johtuvat vauriot grillissä tai grillin ympäristössä eivät kuulu takuun piiriin.

## Hiiligrillin sytyttäminen sytytyspiipun avulla

Nopeaa grillaamista varten sytytyksen voi tehdä sytytyspiipun avulla. Mustang sytytyspiippu myydään erikseen.

1. Avaa grillin kansi ja poista grilliritilä.
2. Asettele muutama Mustang sytytyspala hiilikaukalon päälle (A).
3. Laita piippusytytin suoraan sytytyspalojen päälle.
4. Täytä piippusytytin Mustang grillihiilillä tai briketeillä.
5. Sytytä sytytyspalat piippusytyttimen ilma-aukoista pitkällä tulitikulla tai sytyttimellä (B).
6. Avaa alemmat ilmaventtiilit täysin auki (C).
7. Hiilet / briketit ovat käyttövalmiit, kun piippusytyttimen päällä näkyy liekkiä (D).
8. Kaada varovasti palavat hiilet / briketit hiilikaukloon (E). Muista käyttää grillihanskoja.
9. Sulje kansi ja säädä ilmaventtiilit haluttuun kohtaan.
10. Grilli on käyttövalmis.



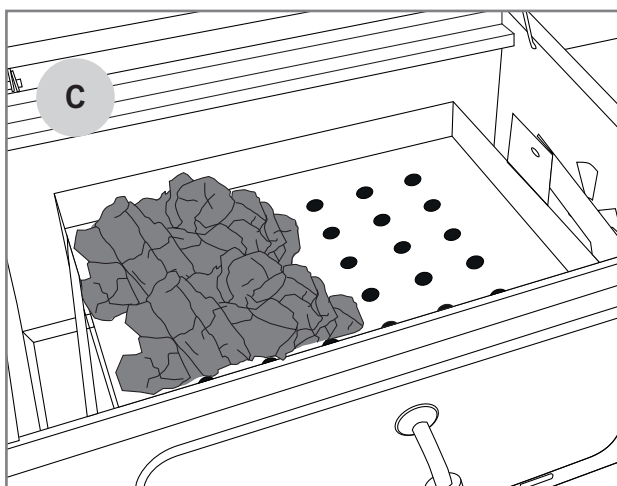
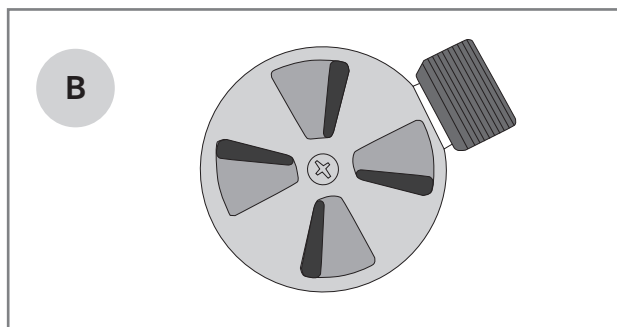
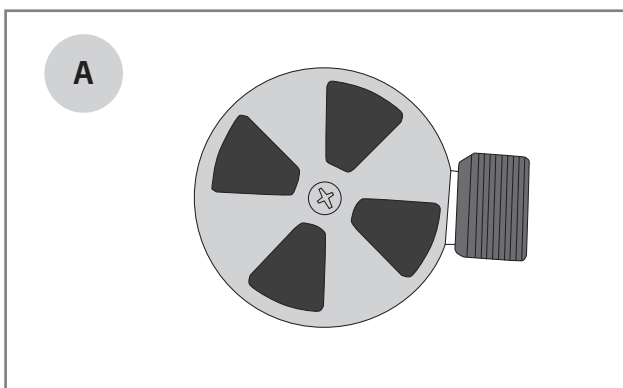
## Grillaaminen korkealla lämpötilalla

Nopeampaa kypsennystä vaativat ruuat grillataan yleensä korkeammalla lämpötilalla, 220–300 °C as-  
teessa. Tällä tavalla raaka-aineiden ulkopinnoista tulee rapeampia, mutta sisus pysyy mehevänä.

1. Sytytä grilli ohjeiden mukaisesti.
2. Tarkkaile kannen lämpömittarin lämpötilaa.
3. Kun haluttu lämpötila on saavutettu, jätä kaikki ilmaventtiilit täysin auki (A).
4. Grilli on nyt käyttövalmis.



**Avaa grillin kansi varovasti, jotta hiillos saa ilmaa hitaasti ja turvallisesti. Näin vältetään ylimääräiset liekin leimahdukset eikä synny vahinkoja.**



## Epäsuora grillaus

Epäsuoralla grillauksella saat valmistettua pitempiä aikoja vaativia ruokia, kuten kokonaisia paisteja, broilereita ja kaloja. Epäsuoraa grillausta hyödynnetään myös kypsentämään suoralla grillauksella ruskistetut lihapalat. Epäsuoraa grillausta varten hiilet asetetaan vain toiselle puolelle hiilikaukaloa (C).

## Grillaaminen matalalla lämpötilalla

Varsinkin suurien lihapalojen kanssa suositetaan pidempää grillausta matalalla lämpötilalla, jolloin lihasta tulee murea eikä liha pääse kuivumaan niin herkästi. Matala grillauslämpötila sopii hyvin myös herkemmille raaka-aineille. Ohje matalalla lämpötilalla grillaamiseen:

1. Sytytä grilli ohjeiden mukaisesti.
2. Tarkkaile kannen lämpömittarin lämpötilaa.
3. Kun haluttu lämpötila on saavutettu, aseta kaikki ilmaventtiilit mahdollisimman kiinni (B).
4. Voit rajata suoraa lämpöä siirtämällä hiilet vain toiseen laitaan (C).
5. Grilli on nyt käyttövalmis.

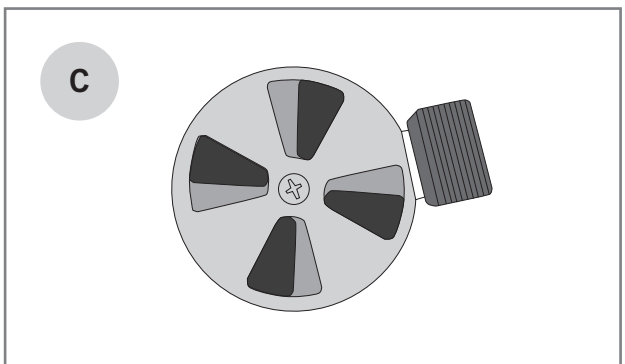
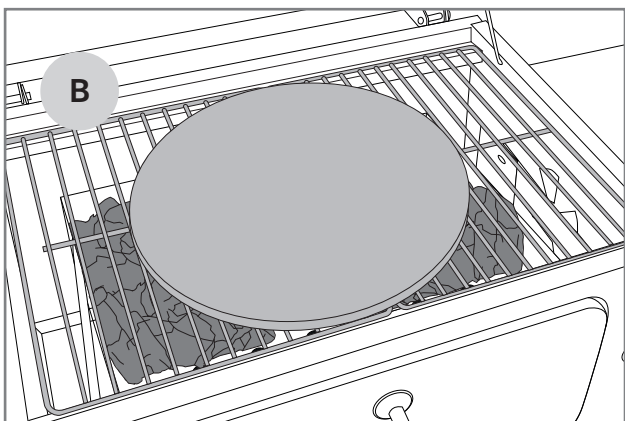
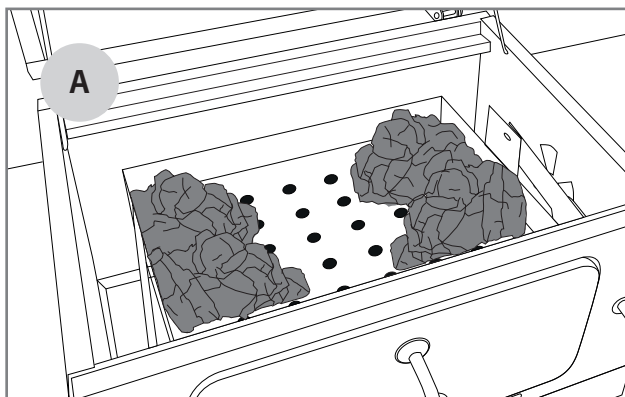


**Säätäessäsi ilmaventtiileitä, muista käyttää kuumuutta kestäviä grillihanskoja.**

## Paistaminen

Hiiligrilliiä onnistuu myös paistaminen erinomaisesti käyttäessä erillistä paistokiveä. Mustang paistokivet myydään erikseen.

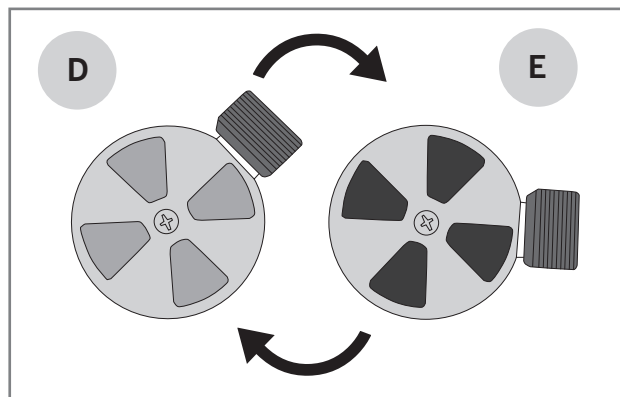
1. Laita hiilet hiilikaukalon molemmille laidoille (A).
2. Sytytä grilli ohjeiden mukaisesti.
3. Kun sytytyspalat ovat palaneet, avaa kansi ja aseta paistokivi paikalleen (B).
4. Laita kansi kiinni, pidä ilmaventtiilit täysin auki ja anna hiilloksen syttyä kunnolla.
5. Tarkkaile kannen lämpömittarin lämpötilaa.
6. Kun haluttu lämpötila on saavutettu. Säädä kaikki ilmaventtiilit keskivaiheille (C).
7. Grilli on nyt käyttövalmis.



## Lämpötilan säätö yleisesti

Hiiligrillin lämpötilaa säädetään ilman määrää muuttamalla. Lämpötiloihin vaikuttavat myös grillihiilien määrä ja laatu. Alle on listattu tärkeimmät asiat lämmönsäädössä:

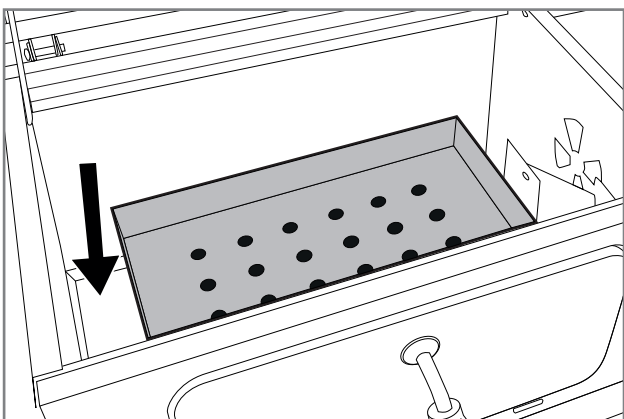
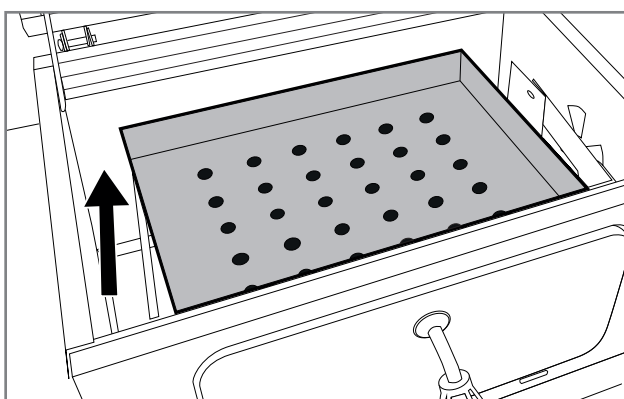
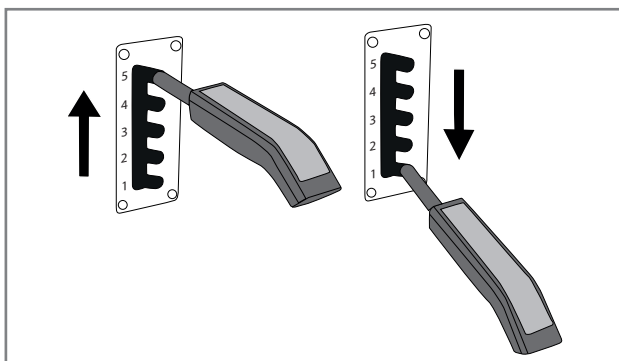
1. Alemmilla ilmaventtiileillä ohjataan ilmaa sisään ja ylemmillä ilmaventtiilillä poistetaan ilmaa.
2. Alemmat ilmaventtiilit mahdollistavat karkean lämmönsäädön.
3. Ylemmillä ilmaventtiilillä säädetään lämpötila tarkemmin kohdalleen.
4. Halutessasi nostaa lämpötilaa, grilliin täytyy saada enemmän ilmaa (D-E).
5. Halutessasi laskea lämpötilaa, grillin ilmansaantia taas pitää vastaavasti rajoittaa (E-D).



## Hiilikaukalon nostaminen / laskeminen

Ruokiin kohdistuvaa lämpötilaa voidaan säätää myös hiilikaukaloa nostamalla sekä laskemalla. Yläasennossa ruokiin kohdistuu tarkempi ja kuumempi lämpötila, kun taas ala-asennossa lämpö jakaantuu laajemmalle alueelle. Lämpötiloihin vaikuttavat myös grillihiilien määrä ja laatu sekä ilma-aukkojen säätäminen.

Hiilikaukalo nostetaan ja lasketaan sopivaan korkeuteen kuusiportaisella säätövivulla.



## Grillihiilien tai brikettien lisääminen grillaamisen aikana

Pitkää kypsennystä tehdessä voi tulla tarpeen lisätä grillihiiliä tai brikettejä grilliin. Tämä onnistuu helposti poistamalla toinen grilliritilä sivuun. Kun haluat lisätä grillihiiliä tai brikettejä grillauksen aikana, toimi seuraavasti:

1. Avaa kansi.
2. Poista toinen grilliritilä sivuun.
3. Lisää grillihiilet tai briketit käyttämällä pitkiä grillipihtejä sekä grillihanskoja.
4. Aseta grilliritilä takaisin paikoilleen.
5. Sulje kansi.

**i** Aina grillin kanta avatessa, grillin sisälämpötila muuttuu, mikä voi muuttaa kypsennysaikaa.

## Grillihiilien määrä

Valitse grillihiilien määrä grillattavan ruuan mukaan ja grillaustavan mukaan, jos grillaat korkeilla lämpötiloilla ja nopeasti niin voit hyödyntää alla olevaa taulukkoa:

Grillin halkaisija	Grillihiilien määrä
< 47 cm	0,3 – 0,5 kg
47 cm	0,6 – 0,8 kg
57 cm	1,0 – 1,2 kg



## Grillihiihien määrä epäsuorassa grillauksessa

Epäsuora, matalalla lämpötilalla grillaaminen vaatii grillihiihien lisäämistä grillauksen aikana. Voit hyödyntää grillihiihien määrän arvioinnissa alla olevaa ohjeellista taulukkoa:

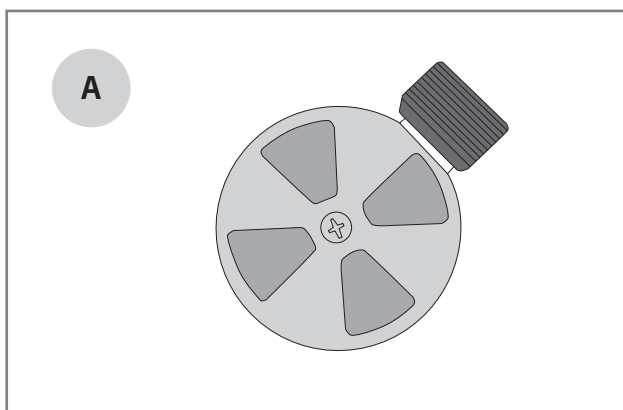
Grillin halkaisija	Grillihiihien määrä	Lisähiilien tarve per tunti
< 47 cm	0,2 – 0,3 kg	0,3 kg
47 cm	0,3 – 0,4 kg	0,3 kg
57 cm	0,4 – 0,5 kg	0,4 kg

## Grillin sammuttaminen

Kun olet lopettanut grillin käytön, sammuta grilli seuraavalla tavalla:

1. Sulje kansi.
2. Sulje kaikki ilmaventtiilit kokonaan kiinni (A).
3. Pidä kansi ja ilmaventtiilit suljettuna seuraavaan päivään, jolloin hiillos on varmasti sammunut ja grilli jäähtynyt.

**i** Älä käytä hiilien sammuttamiseen vettä. Kuumien hiilien päälle heitetty vesi voi aiheuttaa grillin vahingoittumisen.



## Rasvapalo

Ylimääräinen rasva tai marinadi pitää poistaa grillin pohjalta, seinämiltä, hiiliritilältä sekä grilliritilältä.

Jos rasvaa pääsee kertymään liikaa grilliin, voi se syttyä palamaan ja syntyä rasvapalo, joka voi vahingoittaa grilliä, ympäristöä ja aiheuttaa vaaratilanteen.

Tämä täytyy huomioida varsinkin grillatessa kerralla suurempia määriä rasvaisia lihoja, jolloin lihoista tippunut rasva kerääntyy grillin pohjalle.

## Liekin leimahtelu

Liekin vähäinen leimahtelu on hyvä asia, koska se lisää ruokiin makua. Jos leimahtelua syntyy paljon, kasvattaa se grillin sisälämpötilaa hallitsemattomasti ja lisää rasvan tippumista grillattavista ruoista. Nämä taas lisäävät rasvapalon riskiä. Tästä syystä leimahtelua pyritään ehkäisemään ennakoon tehtävillä toimenpiteillä:

1. Poista ylimääräinen rasva lihasta.
2. Pyri kypsentämään lihat oikeassa lämpötilassa.
3. Varmista, että grillin pohjalla tai seinämissä ei ole ylimääräistä rasvaa tai marinadia.
4. Pidä kansi suljettuna aina kun se on mahdollista.

**i** Grillatessa kansi suljettuna, grillin lämpötila on tasaisempi ja helpompi hallita.

# Hyödyllisiä ohjeita

## Yleisiä grillausohjeita

Grillaaminen on hyvin helppoa ja rentouttavaa, kunhan muistat muutaman pienen asian ja hyödynnät näitä yleisiä grillausohjeita:

- **Odota, että grillihiilet tai -briketit ovat syttyneet kunnolla.** Kun ne ovat muuttuneet väriltään vaaleanharmaiksi, on hiillos valmis.
- **Grillin täytyy kuumeta kunnolla.** Kun grillin parilat ja ritilät ovat kunnolla kuumenneet, ruuan tarttuminen vähentyy ja ruokiin syntyy kunnollinen paistopinta.
- **Älä grillaa likaisilla välineillä.** Vanhat marinadit ja ruuan jämät tarttuvat helposti ritilään ja grillattavaan ruokaan. Puhdista grillin ritilät ja parilat jokaisen käyttökerran jälkeen. Näin ne ovat valmiina seuraavaa käyttökertaa varten.
- **Sijoita grillausvälineet lähelle.** Oikeiden grillausaikojen ja -lämpötilojen hallinnointi on helpompaa, kun kaikki tarvittavat työvälineet, mausteet ja marinadit sekä astiat ovat grillipaikan lähetyillä.
- **Grillaa mahdollisimman paljon kansi kiinni.** Kansi kiinni grillatessa grillin lämpötila ei laske turhaan ja grillausajat lyhenevät.
- **Käännä lihoja mahdollisimman vähän,** yksi kerta riittää. Kun ruoka saa olla rauhassa tarpeeksi kauan grillausparilalla / -ritilällä, pintaan muodostuu kaunis ruskistunut pinta.
- **Lämpömittari avuksi!** Liian pitkä grillausaika kuivattaa ruuan ja pilaa makunautinnon. Parhaaseen tulokseen pääset, kun hankit avuksesi lihalämpömittarin.
- **Anna lihan vetäytyä 10–20 minuuttia** ennen lihan leikkaamista / ruokailua. Lihan vetäytyessä lämpötila tasaantuu ja lihasnestettä ei irtoa niin paljon leikatessa.

## Marinadit

Marinadien käyttö on hyvin yleistä grillauksessa ja niiden tehtävä on maustaa grilliruoka halutun makuisiksi. Marinadit aiheuttavat kuitenkin myös ruuan palamista kiinni ritilöihin ja pariloihin. Samoin öljyiset marinadit voivat valua grillin pohjalle sekä hiilloksen päälle ja aiheuttaa tarpeetonta liekin leimahtelua tai jopa rasvapaalon. Näillä muutamalla vinkillä pienennät marinadeista aiheutuvia ongelmia:

1. Pyri pyyhkimään ylimääräinen marinadi pois ruuista ennen grilliin laittoa.
2. Jos lisäät marinadia grillauksen aikana, käytä aina grillisutia. Marinadia ei saa kaataa suoraan pullosta ruuan päälle.
3. Hyödynnä grillauksen aikana mieluummin kuiva-marinadeja.



**Älä käytä raakamarinoinnista jäänyttä marinadia valmiiden ruokien marinoimiseen. Raa`an lihan bakteerit siirtyvät valmiiseen ruokaan.**

## Ruuan tarttumisen välttäminen

Ruuan tarttuminen grilliritilään / -parilaan on hyvin tuttu ilmiö grillaajille. Tässä muutama vinkki, joilla voit välttää ylimääräisen tarttumisen:

1. Esilämmitä grilli riittävän kuumaksi.
2. Puhdista grillausritilät ja -parilat ennen ruokien lisäämistä grilliin.
3. Sivele grillausala ja grillattava ruoka öljyllä ennen grilliin laittoa.
4. Kokeile seuraavaa: Halkaisi sipuli ja pyyhi ritilä sipulilla ennen grillauksen aloittamista. Ruoka ei jää kiinni ritilään.
5. Älä käännä grillattavia ruokia liian nopeasti, anna niiden paistopinnan valmistua kunnolla.

## Grillausopas lämpötiloihin

Alla listattuna ohjeelliset grillausajat ja -lämpötilat useimmille raaka-aineille. Hiilien laatu ja määrä, sääolosuhteet sekä grillin puhtaus voivat vaikuttaa grillausaikaan tai lämpötilaan.



### Nauta

Ainesosa	Paksuus / paino	Grillausmenetelmä	Grillausaika
Sisä- / ulkofileepihvi	n. 2 cm	Suora korkea lämpö	2,5 – 3,5 min / puoli
Sisä- / ulkofileepihvi	n. 5 cm	Suora korkea lämpö Epäsuora keskilämpö	3,5 min / puoli 8 – 10 min
Kokonainen sisäfilee	n. 1,5 kg	Suora korkea lämpö Epäsuora keskilämpö	3-4 min / puoli 20 – 30 min
Paisti	n. 1,5 kg	Suora keskilämpö Epäsuora keskilämpö	3 – 4 min / puoli 30 – 40 min
Hampurilaispihvi	n. 2 cm	Suora korkea lämpö	2 – 3 min / puoli
Sisälämpötila			
Raaka – melkein raaka		47 – 51 °C	
Medium		52 – 58 °C	
Melkein kypsä - kypsä		59 – 66 °C	



### Porsas

Ainesosa	Paksuus / paino	Grillausmenetelmä	Grillausaika
Fileepihvi, kyljys	n. 2 cm	Suora korkea lämpö	2 – 2,5 min / puoli
Sisäfilee	n. 600 g	Suora korkea lämpö Epäsuora keskilämpö	3 min / puoli 20 – 30 min
Grillikylki / ribs	n. 1,5 kg	Epäsuora keskilämpö Suora korkea lämpö	60 – 90 min 4 min / puoli
Kasslerpihvi	n. 3 cm	Suora keskilämpö Epäsuora keskilämpö	2,5 – 3 min / puoli 15 – 20 min
Raaka-makkara	n. 400 g	Suora matala lämpö	2 – 3 min / puoli
Sisälämpötila			
Kypsä filee		65 – 70 °C	
Kypsä muut ainesosat		65 – 70 °C	



## Kana ja kalkkuna

Ainesosa	Paksuus / paino	Grillausmenetelmä	Grillausaika
Rintafilee	n. 200 g	Suora keskilämpö	5 – 6 min / puoli
Koipireisi	n. 120 g	Suora keskilämpö	5 – 6 min / puoli
Wingsit	n. 500 g	Suora keskilämpö Epäsuora keskilämpö	6 – 10 min 30 – 40 min
Kokonainen broileri	n. 900 g	Epäsuora keskilämpö	60 – 75 min
Sisälämpötila			
Kypsä		75 °C	



## Kala

Ainesosa	Paksuus / paino	Grillausmenetelmä	Grillausaika
Ohut filee	n. 200 g	Suora keskilämpö	2 – 3 min / puoli
Paksu filee	n. 120 g	Suora keskilämpö	5 – 6 min / puoli
Kokonainen kala	n. 500 g	Epäsuora keskilämpö	20 – 30 min
Sisälämpötila			
Rosee		45 – 50 °C	
Täysin kypsä		55 – 60 °C	



## Vihannekset

Ainesosa	Paksuus / paino	Grillausmenetelmä	Grillausaika
Kypsä maissi		Suora keskilämpö	6 min
Tomaatti		Suora keskilämpö	6 min / puoli
Parsa		Suora keskilämpö	3 – 5 min
Perunaviipaleet		Suora keskilämpö Epäsuora keskilämpö	5 – 8 min 10 – 15 min
Raaka peruna		Epäsuora keskilämpö	45 – 60 min

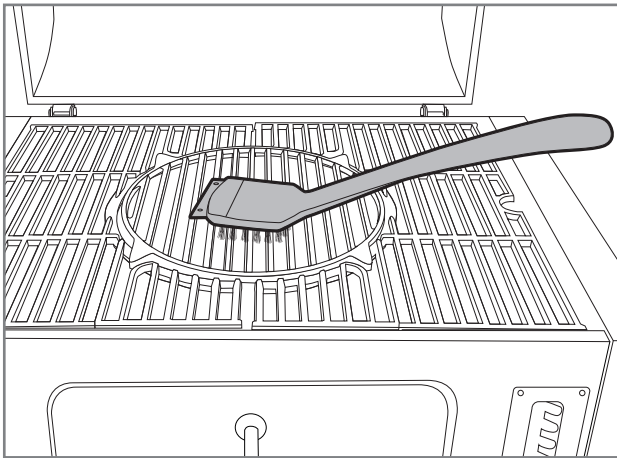
# Grillin puhdistus ja varastointi

Grillin käyttöikä pitenee huomattavasti, kun huolehdit grillin puhdistuksesta ja huolloista säännöllisesti. Jos grilli ei kuumene tarpeeksi tai ruoka jää helposti kiinni pariloihin, niin grilliä ei ole puhdistettu tai huollettu ohjeiden mukaisesti.

## Grillausritilät ja -parilat

Grillausritilät ja -parilat on puhdistettava aina heti käytön jälkeen, kun grilli on vielä lämmin. Käytä puhdistamiseen grillin puhdistukseen tarkoitettua harjaa tai lastaa.

Grillausritilät ja -parilat voidaan pestä myös miedolla pesuaineella ja lämpimällä vedellä. Muista kuivata ja öljytä grillausritilät ja -parilat kunnolla pesun jälkeen.



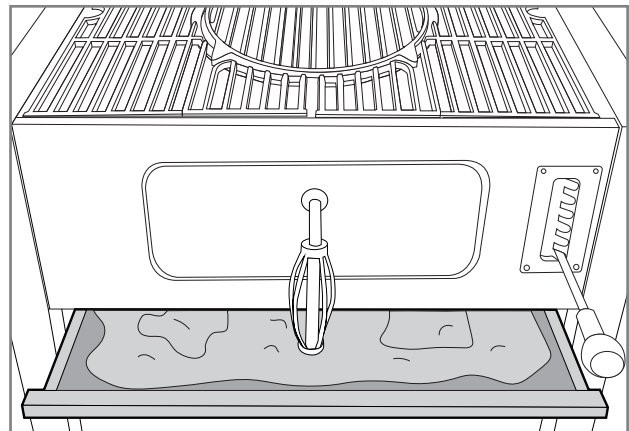
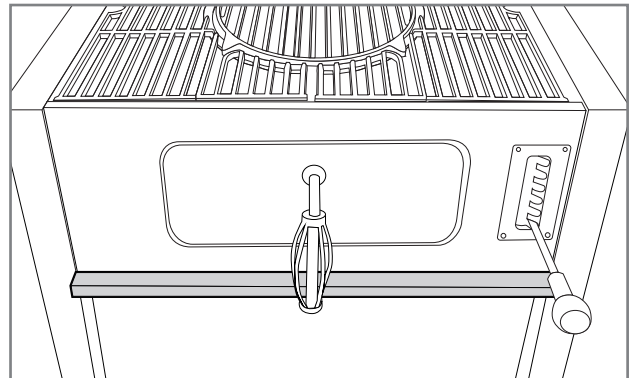
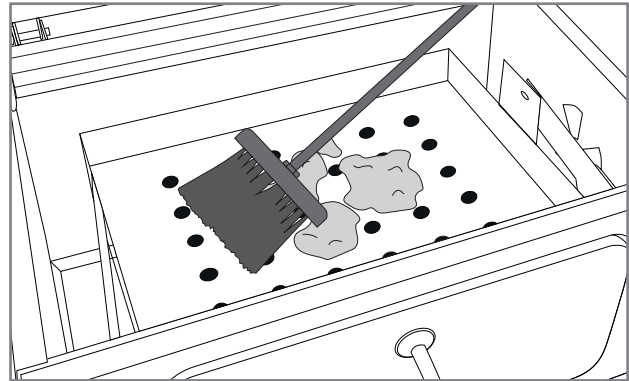
**i** Älä käytä puhdistukseen hitsauskäyttöön tarkoitettua teräsharjaa. Teräsharjan aiheuttamat vahingot eivät kuulu takuun piiriin.

## Tuhkan poistaminen

Kun hiillos on varmasti sammunut ja grilli jäähtynyt, voidaan tuhkat poistaa ja hiilikaukalo puhdistaa.

Hienojakoinen tuhka saattaa kostealla ilmalla kostua ja ruostuttaa hiilikaukaloa. Muista puhdistaa hiilikaukalo säännöllisesti.

Harjaa hiilikaukalo puhtaaksi esim. harjalla ja poista tuhkat tuhkapellin avulla.



## Grillin ulkopinnat ja teräsosat

Grillin ulkopinnat ja muut teräsosat täytyy myös puhdistaa säännöllisesti. Näihin osiin voi hyödyntää seuraavia yleisohjeita:

1. Puhdista grillin teräsosat Mustang grillin puhdistusnesteellä tai miedolla astianpesuaineella ja puhdistusliinalla.
2. Muista kuivata puhdistetut osat huolellisesti.
3. Varoitustekstipintojen puhdistukseen ei saa käyttää pesuaineita, koska ne voivat irrottaa tekstit tai muut turvamerkinnot.
4. Puhdista kaikki grillin ulkopinnat vähintään kolme kertaa vuodessa, jotta lika ei pääse pinttyämään pintoihin.
5. Testaa aina uuden puhdistusaineen soveltuvuutta huomaamattomaan kohtaan.

**i** **Kloori ja suola saattavat aiheuttaa grillin ruostumista. Mikäli grillin käyttöpaikka on meren tai uima-altaan välittömässä läheisyydessä, on grillin puhdistus tehtävä viikoittain.**

## Huolto

Teräsosat kannattaa käsitellä kaupassa myytävillä teräksen hoitoon tarkoitetuilla hoitoöljyillä 2 – 3 kertaa vuodessa. Tällä ehkäistään lian ja ruostepilkkujen syntyminen teräspinoille.

Muista varmistaa öljyn soveltuvuus ennen käyttöä esim. kokeilemalla öljyä johonkin vähemmän näkyvillä olevaan kohtaan.

Tarkista säännöllisesti vaunun, ilmaventtiileiden ja kahvojen ruuvien kireys. Grillin korkeat lämpötilavaihtelut voivat aiheuttaa ruuvien löystymistä.

Öljyä saranan liikkuvat teräsosat monitoimiöljyllä kaksi kertaa vuodessa.

**i** **Älä käytä kiristämiseen sähköistä ruuviväännintä, se voi rikkoa ruuvit tai muut teräsosat. Ruuvien liiallisesta kiristyksestä johtuvat vauriot eivät kuulu takuun piiriin.**

## Varastointi

Katso nämä ohjeet, kun pidät pidemmän tauon grillauksessa tai haluat varastoida grillin esim. talvikaudeksi. Oikein varastoitu grilli pidentää käyttöikä ja pitää grillin toimintakunnossa vuodesta toiseen. Varastoidessa grillisi, toimi seuraavien ohjeiden mukaan:

1. Puhdista grilli täydellisesti käyttöoppaan ohjeiden mukaan.
2. Varmista, että kaikki grillausritilät / -parilat ovat öljytyt.
3. Jos grilli varastoidaan ulkona, irrota grillistä ritilät ja parilat. Nämä osat täytyy varastoida kuivassa ja lämpimässä tilassa. Nämä osat on syytä kääriä yksittäin esim. sanomalehteen, jotta osat eivät naarmuta pintoja.
4. Ulkona säilyttäessä grillin päälle kannattaa hankkia laadukas suojapeite, joka peittää grillin alas saakka. Muista varmistaa, että ilma pääsee kiertämään myös peitteen alla.

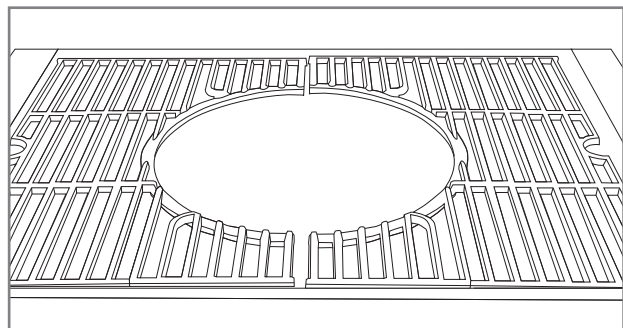
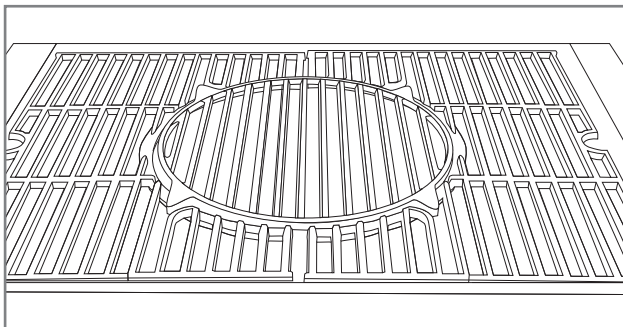
**i** **Älä säilytä grilliä niin, että katolta tippuva lumi pääsee tipahtamaan grillin päälle. Lumen ja jään aiheuttamat vahingot eivät kuulu takuun piiriin.**

# Multigrill ja lisävarusteet

## Valurautainen Multigrill -grillausjärjestelmä

Joissain malleissa on vakiona Multigrill -grillausjärjestelmä, johon on saatavilla erilaisia paistolisävarusteita.

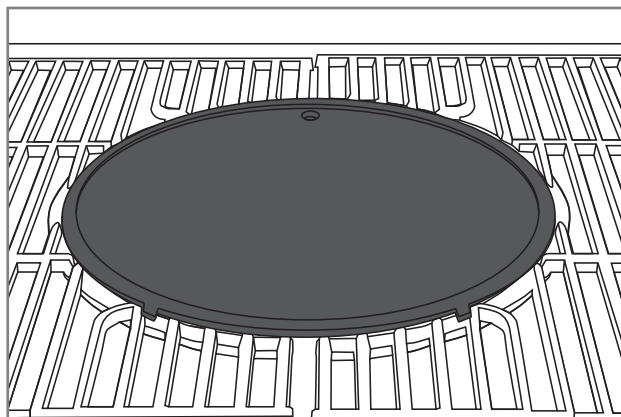
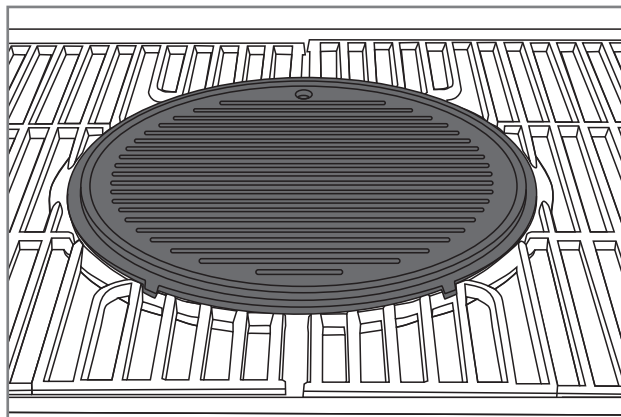
Malleissa, joissa ei ole Multigrill -grillausjärjestelmää, voidaan osaa lisävarusteista käyttää suoraan grilliritilän päällä.



## Valurautaparila

Tuotekoodit: 603434

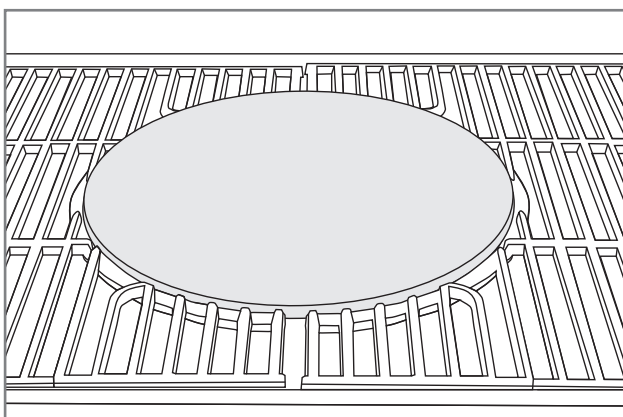
Parilan toinen puoli on uritettu ja toinen puoli tasainen. Ø 30 cm.



## Paistokivi / pizzakivi

Tuotekoodi: 316871

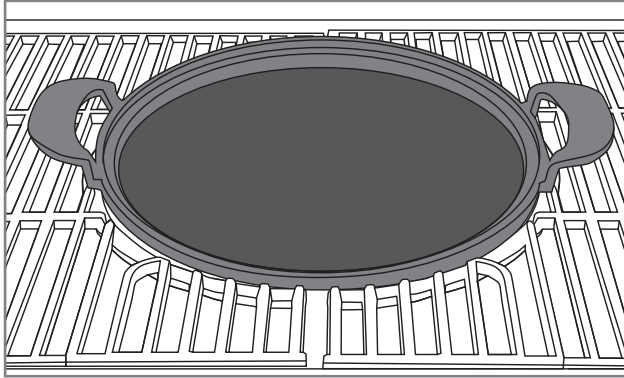
Mustang paistokivi Ø 30,5 cm on valmistettu kestävästä kordieriittikivestä. Paistokiveä voi käyttää leipien, piirakoiden ja pizzojen paistalustana.



## Matala valurautapannu

Tuotekoodi: 603435

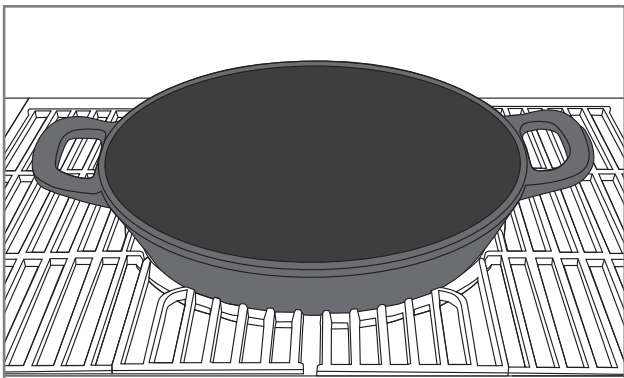
Valuraudasta valmistetulla matalalla pannulla paistat helposti kaikenlaiset ruuat. Pannu on helppo nostaa pois grillistä käytännöllisillä nostokahvoilla. Ø 30 cm.



## Valurautainen wok-pannu

Tuotekoodit: 603438

Mustang valurautainen wok-pannu toimii erilaisten kasvien ja muiden ruokien wokkaamiseen grillissä. Nostokahvat helpottavat pannun siirtelyä. Ø 30 cm.





# Vianmääritys

Kaikissa grilleissä voi tulla toimintahäiriöitä. Nämä häiriöt ovat yleensä helposti korjattavissa. Mikäli et löydä vastausta ongelmaasi alta löytyvästä kaaviosta, ole yhteydessä myyjäliikkeeseen.

Vika	Mahdollinen syy	Ratkaisu
Ilmaventtiilit eivät toimi oikein.	Ilmaventtiilin ruuvit on kiristetty liian kireälle.	Löysennä ilmaventtilien ruuveja.
	Venttiilit ovat liimautuneet kiinniliän ja rasvan takia.	Löysennä venttiilien ruuvit ja puhdistaventtiilit.
Grilli ei syty.	Ilmaventtiilit ovat kiinni.	Avaa ilmaventtiilit.
	Hiilet tai briketit ovat kostuneet.	Vaihda hiilet tai briketit uusiin.
Grilli ei kuumene tarpeeksi.	Tuli ei saa riittävästi happea.	Avaa alemmat ilmaventtiilit kokonaan.
	Hiiliä ei ole tarpeeksi.	Lisää hiiliä ja avaa alemmat ilmaventtiilit.
Grilli kuumenee liikaa.	Tuli saa liikaa happea.	Sulje ilmaventtiilit ja odota, että hiillos hiipuu. Kun lämpötila on laskenut, avaa ilmaventtiileitä hieman. Tarvittaessa sytytä grilli uudestaan.

# Takuu

Mustang hiiligrilleillä on vähintään 12 kk valmistus- ja materiaalitakuu. Takuuehdoissa on kuitenkin mallikohtaisia eroja, joten ajantasaiset takuuehdot ja -ajat löydät verkkosivuiltamme

**[mustang-grill.com](http://mustang-grill.com)**

Kaikkien takuuasioiden hoitoon tarvitsset ostokuitin, josta ostopaikka ja ostopäivä pystytään toteamaan.



# MUSTANG

SV

**Monterings- och bruksanvisning**

---

# Välkommen med till Mustangs grillvärld

**Vi tackar dig för att du har valt Mustang-grillen. Mustang vill fungera som din grillkompis och säkra att du får livets grillupplevelse. Mustang uppstod ur önskan av att njuta av avkopplande matlagning tillsammans med familj eller vänner och vi vill erbjuda dig samma tanke.**

Mustang-grillar och tillbehör har planerats och fulländats med omsorg så att vi kan vara stolta över dem. Vår långa erfarenhet och expertis syns i våra produkterna och de har alla väsentliga funktioner och egenskaper. Vi är säkra att den här grillen glädjer dig länge, så länge du kommer ihåg att underhålla och rena grillen i enlighet med anvisningar i den här bruksanvisningen.

## Det bredaste grillningssortimentet

Mustang är ett varumärke som ägs av finska Tammer Brands Oy. Mustang erbjuder all utrustning, tillbehör och reservdelar som behövs i grillning samt ett brett sortiment av produkter för rökning, och lagning av pizza. Vi känner grillkulturen utan och innan så att vi kan försäkra att vi erbjuder dig de rätta och mest moderna produkterna. Mustang är alltså det enda varumärket som du behöver för att lyckas i grillning.

## Kundtjänst

Tammer Brands Oy,  
tfn + 358 3 252 1111  
Viinikankatu 36,  
33800 Tammerfors, FINLAND

**TAMMER**  
BRANDS | EST 1954

**mustang-grill.com**



**Läs bruksanvisningarna innan du använder grillen och förvara dem för kommande behov.**

Följ oss i de sociala medierna



**mustanggrill**

# Innehållsförteckning

<b>Monteringsanvisningarna</b> .....	3
Innan montering .....	5
<b>Säkerhetsanvisningar och varningar</b> .....	70
Placering av grillen .....	70
Allmänna säkerhetsanvisningar .....	71
<b>Använda kolgrill</b> .....	72
Åtgärder innan den första användningen .....	72
Åtgärder före varje användning .....	72
Tändning av kolgrillen med tändsticka eller tändare med långt skaft .....	72
Tändning av kolgrillen med tändrör .....	73
Grillning på hög temperatur .....	74
Grillning på låg temperatur .....	74
Indirekt grillning .....	74
Gräddning .....	75
Justering av temperatur i allmänhet .....	75
Lyfta/sänka ned koltråget .....	76
Att lägga till grillkol eller briketter under grillningen .....	76
Mängden grillkol .....	76
Mängden grillkol vid grillning på indirekt värme .....	77
Släckning av grillen .....	77
Fettet brinner .....	77
Lågorna flammar upp .....	77

<b>Nyttiga tips</b> .....	78
Allmänna tips för grillning .....	78
Marinader .....	78
Förhindra att maten fastnar .....	78
Grillningsguide om temperaturer .....	79
<b>Rengöring och förvaring av grillen</b> .....	81
Grillgaller och stekplattor .....	81
Borttagning av aska .....	81
Grillens yttre ytor och ståldelar .....	82
Service .....	82
Förvaring .....	82
<b>Multigrill och extra tillbehör</b> .....	83
Grillsystemet Multigrill av gjutjärn .....	83
Baksten/pizzasten .....	83
Grillyta av gjutjärn .....	83
LÅG gjutjärnspanna .....	84
Wokpanna av gjutjärn .....	84
<b>Felsökning</b> .....	85
<b>Garanti</b> .....	85

# ! Säkerhetsanvisningar och varningar

När du använder den här kolgrillen har du skyldighet att noggrant läsa och observera varningar och säkerhetsanvisningar i den här bruksanvisningen innan du använder grillen. Grillen är tillverkad enligt standarden EN1860-1.

Teckenförklaring: ! VARNING! i OBS!

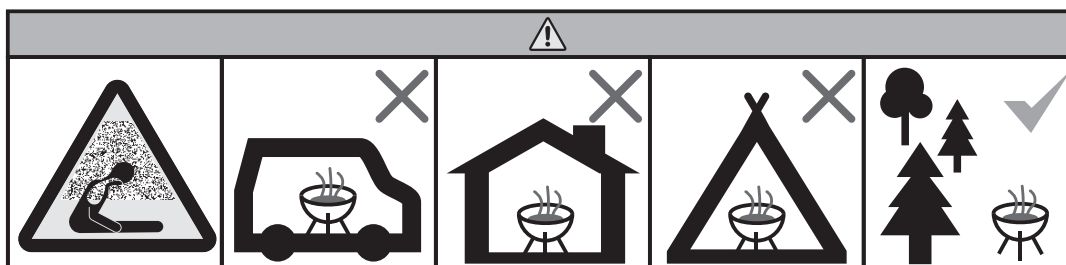
## Placering av grillen

! Grillen är avsedd endast för användning utomhus och får aldrig användas inomhus eller i slutna utrymmen. Se avsnitt som ska observeras nedan.

- Använd grillen endast utomhus.
- Använd inte grillen mot en vägg, i garaget, i en husbil eller husvagn, i ett annat slutet utrymme eller inomhus.
- Se till att grillen placeras minst två meter från lättantändliga material.
- Grillen får inte placeras under en markis eller ett parasoll på grund av flamrisk.
- Säkerställ att det finns en släckningsfilt/släckare samt en första hjälpen-förpackning i närheten av grillen.
- Säkerställ att grillen placeras på en horisontell och värmetålig yta, eftersom glödande kol kan flyga eller falla från grillen vid normal användning.
- Grillen får inte placeras på eller i närheten av ett ömtåligt underlag eftersom fett och marinader kan stänka eller rinna vid normal användning.
- Använd inte grillen som en eldstad.

! Placering som inte är i enlighet med bruksanvisningen orsakar brandfara.

! Användning av grillen inomhus och i slutna utrymmen orsakar en fara för kolmonoxidförgiftning.



## Allmänna säkerhetsanvisningar



**Användning av kolgrillen för något annat än det som den är avsedd för kan leda till farliga situationer och även små ändringar i grillens konstruktion är under alla omständigheter förbjudna. Se avsnitt som ska observeras nedan.**

- Följ monteringsanvisningarna noggrant och observera att man inte får underlåta att fästa delarna. Om man inte följer monteringsanvisningarna eller inte fäster alla delar kan det uppstå problem i användningen. Användaren ansvarar för grillens korrekta montering.
  - Använd endast tändmaterial i enlighet med standarden EN1860-3. Använd inte sprit, bensin, alkohol eller andra liknande kemikalier för tändningen.
  - Iaktta försiktighet när du fördelar tändvätskan på kolen. Tändvätskan får inte rinna av kolen till marken. Vätska på marken kan fatta eld under den heta grillen.
  - Tillsätt inte tändvätska till brinnande kol eller het glöd.
  - Grillen blir het under användning, så var extra uppmärksam om det finns barn, äldre personer eller husdjur i närheten.
  - Grillen fungerar bäst med grillkol av lövträ eller grillbriketter.
- Man får inte bränna ved i grillen.
  - Grillen ska aldrig placeras i omedelbar närhet av lättantändliga material eller vätskor.
  - Var uppmärksam på röken som uppstår när grillen används, använd inte grillen nära öppna fönster.
  - Lämna inte grillen utan uppsikt när den används.
  - Kom ihåg att använda värmetåliga grillhandskar när du använder grillen.
  - Använd inte vatten när du släcker grillen. Släck grillen genom att kväva glöden.
  - Flytta inte grillen om grillen används eller fortfarande är het efter användning.
  - Kontrollera alltid grillen för skador och slitage före användning och byt ut skadade delar vid behov.
  - Använd aldrig grillen om den inte fungerar korrekt.
  - Låt inte barn använda grillen.
  - Alkohol, receptbelagda läkemedel och rusmedel av alla slag kan påverka användarens förmåga att använda grillen på ett tryggt och regelrätt sätt.



**När du öppnar grillens lock, öppna det först försiktigt på glänt så att kolen får luft långsamt och tryggt. På så sätt undviker man onödiga flammor och inga skador uppstår.**

# Använda kolgrill

## Åtgärder innan den första användningen

Syftet med den första användningen är att säkerställa grillens funktionalitet samt att kontrollera om ståldelarna blir lösare på grund av eventuell värmeutvidgning.

1. Säkerställ att grillen är monterad enligt bruksanvisningen.
2. Tänd grillen enligt bruksanvisningen.
3. Låt kolet brinna ut och vänta tills grillen svalnat helt.
4. Kontrollera alla skruvar och dra åt vid behov.
5. Grillen är nu redo att användas.

**i** Använd inte grillen om grillen har skador eller delar fattas.

**i** Lägg inte för mycket kol på grillen, eftersom överhettning kan skada grillen.

## Åtgärder före varje användning

En säker och korrekt användning av grillen förutsätter några kontroller före varje användning. Gå noggrant igenom kontrollistan nedan.

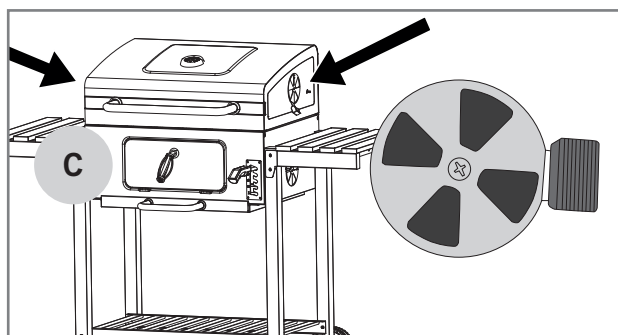
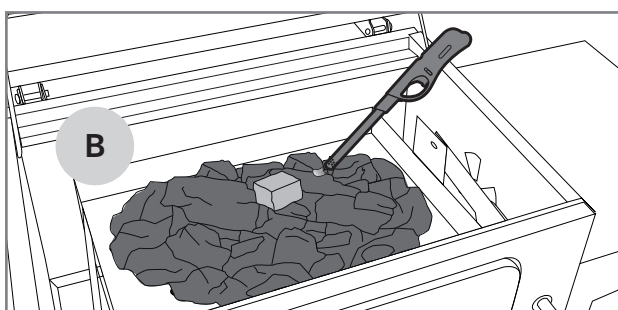
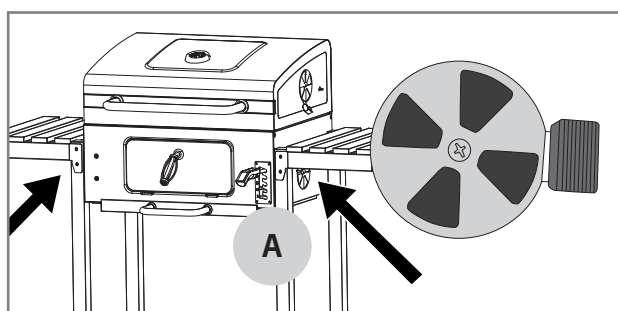
1. Kontrollera att grillen är placerad i enlighet med bruksanvisningen.
2. Kontrollera att det inte finns lättantändliga material eller vätskor i närheten av grillen.
3. Ta bort eventuell kvarvarande aska i eldstaden från den föregående grillningen.
4. Rengör och olja grillgaller/stekplatta med matolja.
5. Tänd grillen enligt bruksanvisningen.

**!** Använd inte grillen om den har skador eller delar fattas.

## Tändning av kolgrillen med tändsticka eller tändare med långt skaft

Endast kol av lövträ eller briketter får användas i kolgrillen. För tändningen får endast tändmaterial i enlighet med standarden EN1860-3 användas.

1. Öppna grillens lock och ta bort grillgallret.
2. Lägg cirka tre nävar kol ovanpå koltråget.
3. Lägg till en Mustang-tändbit bland kolet.
4. Öppna de nedre luftventilerna till helt öppet läge (A).
5. Tänd tändbitarna med en lång tändsticka eller en lång tändare (B).
6. När tändbitarna har tänts, stäng locket och öppna den övre luftventilerna helt (C).
7. När glöden eller briketterna har blivit ljusgrå är glöden klar.
8. Justera luftventilerna till önskat läge.
9. Grillen är redo att användas.





**i** Använd inte vedträ eller annat virke som bränsle till grillen. Användning av fel bränsle kan skada grillen och eventuella skador orsakade av felanvändning täcks inte av garantin.

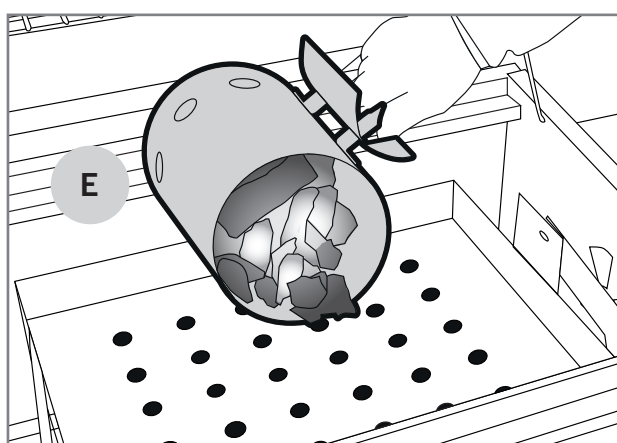
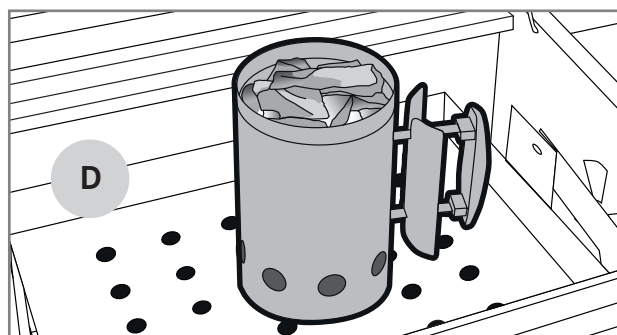
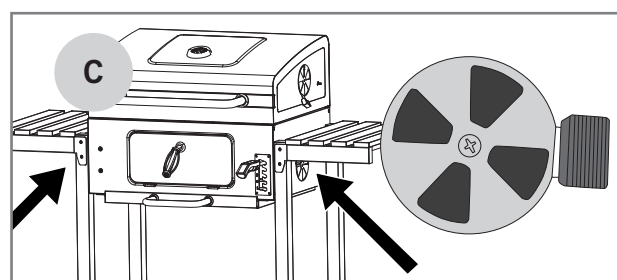
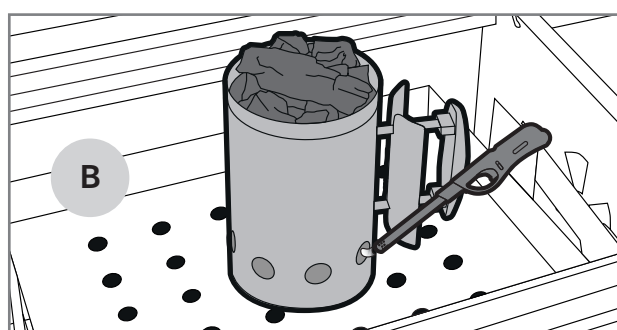
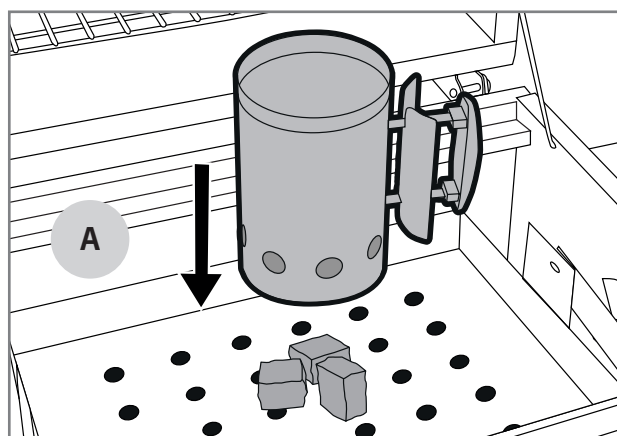
**i** Använd inte bensin, sprit eller andra flytande tändvätskor för att tända grillen.

**i** Iaktta försiktighet när du fördelar tändvätskan på kolen. Tändvätskan får inte rinna av kolen till marken. Garantin täcker inte skador på grillen eller dess omgivning som har orsakats av tändvätska som runnit ut.

## Tändning av kolgrillen med tändrör

För snabb grillning kan tändningen göras med tändrör. Mustang tändrör säljs separat.

1. Öppna grillens lock och ta bort grillgallret.
2. Placera några Mustang-tändbitar ovanpå koltråget (A).
3. Placera tändröret rakt ovanpå tändbitarna.
4. Fyll tändröret med Mustang grillkol eller briketter.
5. Tänd tändbitarna från luftöppningarna på tändröret med en lång tändsticka eller tändare (B).
6. Öppna de nedre luftventilerna till helt öppet läge (C).
7. Kolen/briketterna är klara att användas när lågor syns ovanpå tändröret (D).
8. Häll försiktigt de brinnande kolen/briketterna i koltråget (E). Kom ihåg att använda grillhandskar.
9. Stäng locket och justera luftventilerna till önskat läge.
10. Grillen är redo att användas.



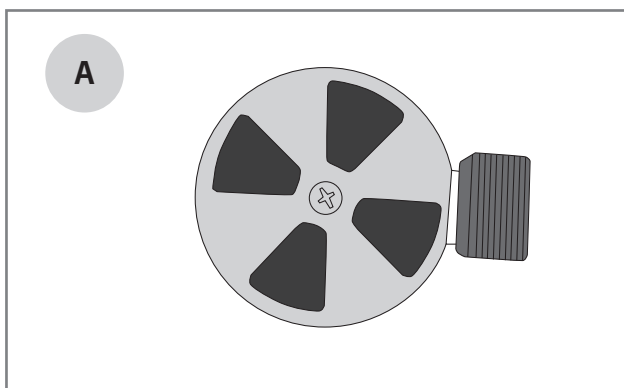
## Grillning på hög temperatur

Mat som kräver snabbare tillagning grillas vanligtvis i en högre temperatur, 220–300 °C. På så sätt blir råvarornas yttre ytor knaprigare, men insidan förblir saftig.

1. Tänd grillen enligt bruksanvisningen.
2. Kontrollera temperaturen från termometern på locket.
3. När önskad temperatur har uppnåtts, lämna alla luftventiler i helt öppet läge (A).
4. Grillen är nu redo att användas.



Öppna grilllocket försiktigt, så att kolen får luft långsamt och tryggt. På så sätt undviker man onödiga flammor och inga skador uppstår.



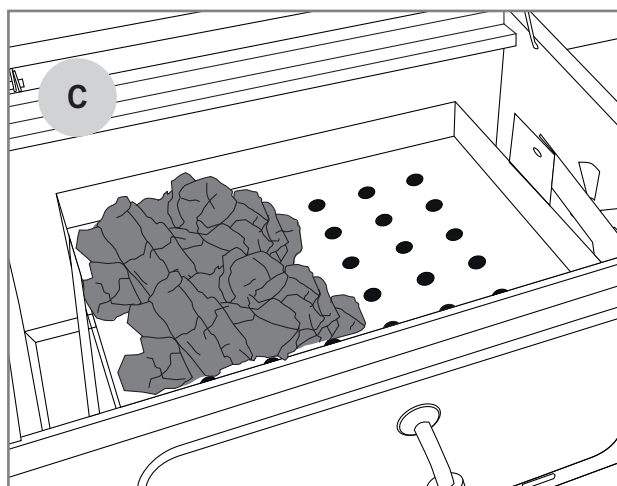
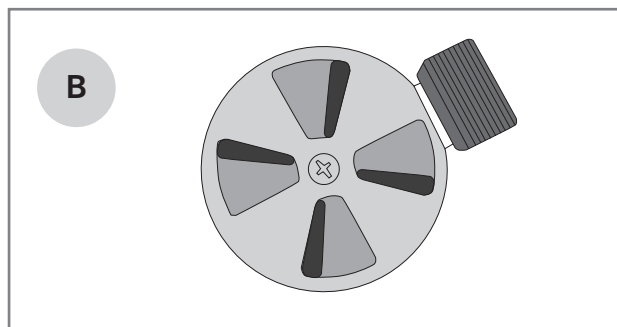
## Grillning på låg temperatur

Speciellt för stora köttbitar rekommenderas längre grillning på låg temperatur, då blir köttet mjukt och det blir inte heller torrt så lätt. En låg grilltemperatur passar även bra för känsligare råvaror. Instruktioner för grillning på låg temperatur:

1. Tänd grillen enligt bruksanvisningen.
2. Kontrollera temperaturen från termometern på locket.
3. När önskad temperatur har uppnåtts, ställ alla luftventiler i så stängt läge som möjligt (B).
4. Du kan reglera den direkta värmen genom att flytta kolen till ena änden (C).
5. Grillen är nu redo att användas.



Kom ihåg att använda värmetåliga grillhandskar när du justerar luftventilen.



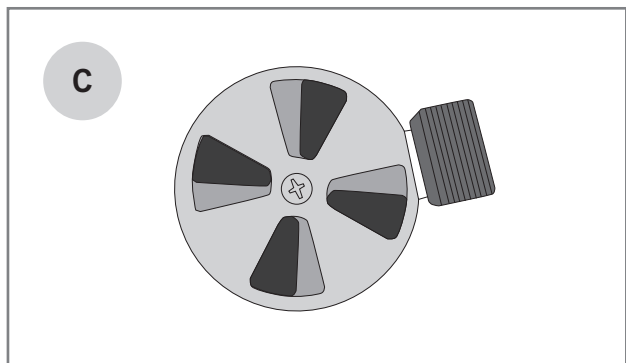
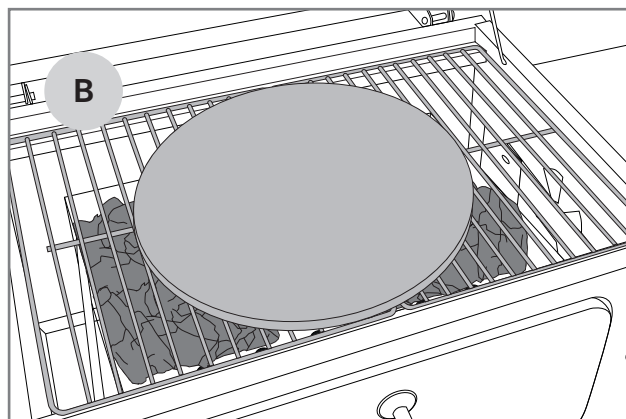
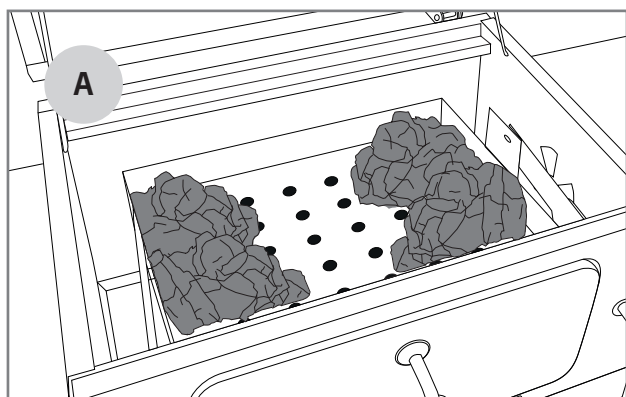
## Indirekt grillning

Med grillning på indirekt värme kan du tillaga maträtter som kräver längre tillagningstid, såsom hela stekar, kycklingar och fisk. Grillning på indirekt värme används även för att tillreda köttbitar som har brynts på direkt värme. För grillning på indirekt värme placeras kolen endast på ena sidan av grillträget (C).

## Gräddning

I kolgrillen kan du även med fördel använda en separat baksten för gräddning. Mustangs bakstenar säljs separat.

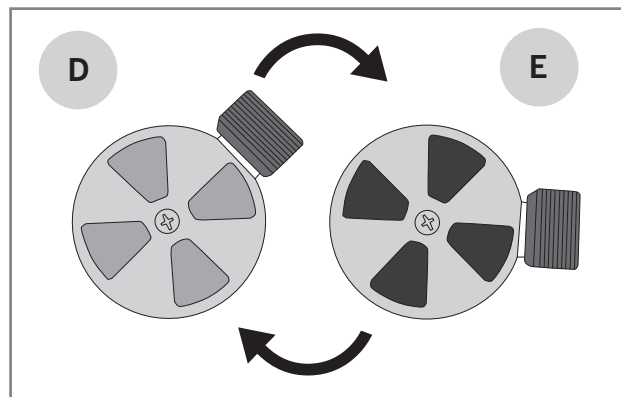
1. Lägg kolen i båda änden av koltråget (A).
2. Tänd grillen enligt bruksanvisningen.
3. När tändbitarna har brunnit ut, öppna locket och sätt bakstenen på plats (B).
4. Stäng locket, håll luftventilerna helt öppna och låt glöden tändas ordentligt.
5. Kontrollera temperaturen från termometern på locket.
6. När önskad temperatur har uppnåtts, justera alla luftventilerna till det mellersta läget (C).
7. Grillen är nu redo att användas.



## Justering av temperatur i allmänhet

Kolgrillens temperatur justeras genom att ändra luftmängden. Temperaturerna påverkas också av mängden av och kvaliteten på grillkolet. De viktigaste aspekterna i justeringen av temperatur listas nedan:

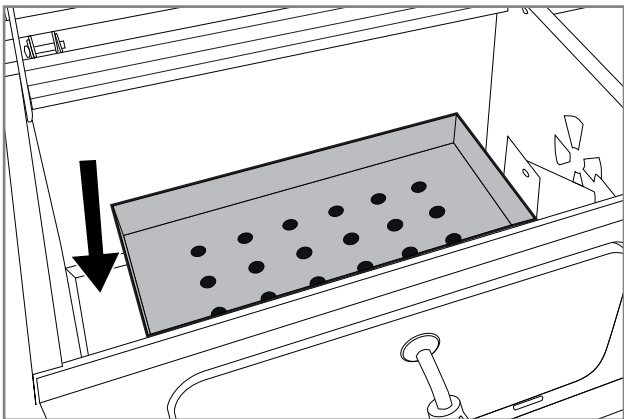
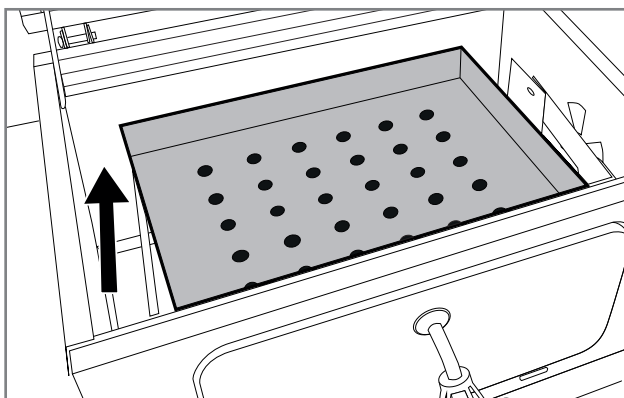
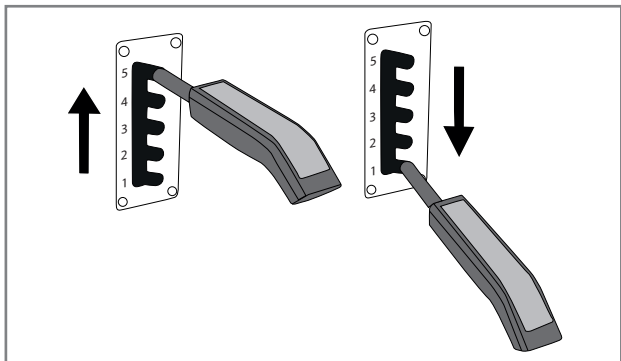
1. De nedre luftventilerna tillför luft till grillen, medan de övre luftventilerna släpper ut den.
2. De nedre luftventilerna ger en grov temperaturjustering.
3. De övre luftventilerna justerar temperaturen mer exakt.
4. Om du vill höja temperaturen, måste du få in mer luft i grillen (D-E).
5. Om du vill sänka temperaturen, måste lufttillförseln till grillen på motsvarande sätt begränsas (E-D).



## Lyfta/sänka ned kolträget

Temperatur som riktas till maten kan också justeras genom att lyfta upp eller sänka ned kolträget. I det övre läget riktas mer exakt och varmare temperaturer mot maten, medan värmen i det nedre läget fördelas på ett större område. Temperaturerna påverkas också av mängden av och kvaliteten på grillkolet och justeringen av luftöppningarna.

Kolträget höjs eller sänks till önskad höjd med en reglerspak med sex steg.



## Att lägga till grillkol eller briketter under grillningen

Vid lång tillagning kan det vara nödvändigt att lägga till grillkol eller briketter på grillen. Detta gör du enklast genom att flytta bort det ena grillgallret. För att lägga till grillkol eller briketter under grillningen, följ dessa steg:

1. Öppna locket.
2. Lägg det ena grillgallret åt sidan.
3. Lägg till grillkol eller briketter genom att använda en lång grilltång och grillhandskar.
4. Sätt tillbaka grillgallret på plats.
5. Stäng locket.

**i** Varje gång du öppnar grillens lock ändrar grillens innertemperatur, vilket kan ändra tillagningstiden.

## Mängden grillkol

Välj mängden grillkol efter maten som ska grillas och grillmetoden. Om du grillar på hög temperatur och snabbt, kan du ta hjälp av tabellen nedan:

Grillens diameter	Mängden grillkol
< 47 cm	0,3 – 0,5 kg
47 cm	0,6 – 0,8 kg
57 cm	1,0 – 1,2 kg

## Mängden grillkol vid grillning på indirekt värme

Grillning på indirekt, låg värme kräver att du tillsätter grillkol under grillningen. Vid uppskattning av mängden grillkol, kan du ta hjälp av nedan tabell:

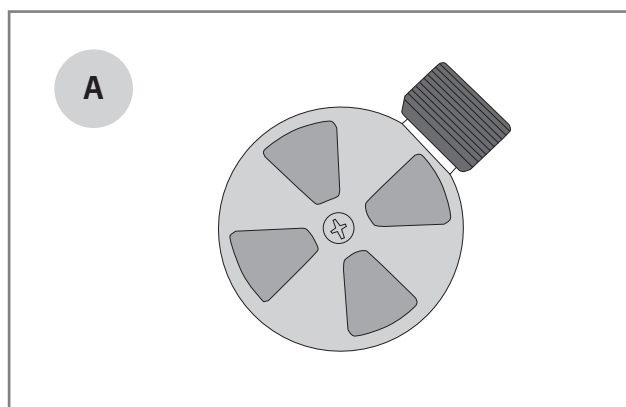
Grillens diameter	Mängden grillkol	Behov av extra kol per timme
< 47 cm	0,2 – 0,3 kg	0,3 kg
47 cm	0,3 – 0,4 kg	0,3 kg
57 cm	0,4 – 0,5 kg	0,4 kg

## Släckning av grillen

När du inte ska använda grillen mer, släck den på följande sätt:

1. Stäng locket.
2. Stäng alla luftventiler i helt stängt läge (A).
3. Håll locket och luftventilerna stängda till nästa dag, då kolen säkert har slocknat och grillen har svalnat.

**i** Använd inte vatten för att släcka kolet. Vatten som kastas över glödande kol kan skada grillen.



## Fettet brinner

Överflödigt fett eller marinad måste avlägsnas från botten av grillen, dess väggar, kolgallret samt grillgallret.

Om för mycket fett samlas på grillen, kan det fatta eld och orsaka en fettbrand, som kan skada grillen, omgivningen och orsaka en farlig situation.

Detta måste man observera i synnerhet när man grillar större mängder fett kött åt gången, varvid fett som droppar från köttet samlas i botten av grillen.

## Lågorna flammar upp

Det är vanligt att lågorna flammar upp lätt när kolgrillen används och det kan även ge maten mer smak. Om lågorna flammar upp mycket ökar det grillens inre temperatur och ökar mängden fett som droppar från maten. Detta ökar risken för att fett ska brinna. Därför strävar man efter att förebygga uppflammande med åtgärder som vidtas på förhand:

1. Ta bort överflödigt fett från köttet.
2. Sträva efter att tillreda köttet i rätt temperatur.
3. Se till att det inte finns överflödigt fett eller marinad i botten av grillen eller på dess väggar.
4. Håll locket stängt alltid när det är möjligt.

**i** När du grillar med stängt lock hålls temperaturen i grillen jämnare.

# Nyttiga tips

## Allmänna tips för grillning

Det är mycket lätt och avslappnande att grilla så länge du minns några små saker och utnyttjar dessa allmänna tips för grillning:

- **Vänta tills grillkolet eller -briketterna har tänts ordentligt.** När färgen på dem har ändrats till ljusgrå, är glöden klar.
- **Grillen ska värmas upp ordentligt.** Det keramiska skalet lagrar effektivt värme, vilket gör det lättare att hålla temperaturerna. Om grillens halstrar och galler har värmts upp ordentligt hindrar det maten från att fastna och den bryner bättre.
- **Använd inte smutsiga redskap.** Gamla marinader och matrester kan lätt fastna i galler och mat som grillas. Rengör grillens galler och halstrar efter varje användning. På det sättet är de färdiga för nästa gång.
- **Placera grillningsredskapen i närheten.** Att hantera korrekta grillningstider och temperaturer är lättare när alla nödvändiga redskap, kryddor och marinader samt kärl finns nära grillplatsen.
- **Grilla med stängt lock så mycket som möjligt.** När du grillar med stängt lock sjunker temperaturen i grillen inte i onödan och grillningstiderna blir kortare.
- **Vänd köttet så lite som möjligt,** en gång räcker. När maten får vara tillräckligt länge på grillhalstret/grillgallret får den en vacker brun yta.
- **Termometern hjälper!** En för lång grillning torkar maten och förstör smaksensationen. Det bästa resultatet nås genom att använda en stektermometer.
- **Låt köttet dra 10–20 minuter** innan du skär/ serverar det. När köttet får dra jämnas temperaturen ut och lika mycket köttsaft rinner inte ut när du skär köttet.

## Marinader

Det är mycket vanligt att använda marinader i grillning. Marinadernas syfte är att ge grillmaten önskad smak. Ändå får marinader maten att bränna sig fast i galler och halster. Samtidigt kan oljiga marinader rinna ned i eldstaden och få lågorna att flamma upp i onödan eller till och med göra att fett börjar brinna. Med dessa tips minskar du problem som orsakas av marinader:

1. Sträva efter att torka bort överflödiga marinad från maten innan du sätter maten i grillen.
2. Om du tillsätter marinad under grillningen använd alltid en grillpensel. Marinader får inte hällas över maten direkt från flaskan.
3. Använd hellre tormarinader under grillningen.

**i** Använd inte marinad som blev över när du marinerade rå mat för att marinera stekt mat. Bakterier från det råa köttet sprider sig till den färdiga maten.

## Förhindra att maten fastnar

Det är ett välbekant fenomen för grillare att maten fastnar i grillgallret/-halstret. Här finns några tips som hjälper dig att undvika detta.

1. Förvärm grillen till lämplig värme.
2. Rengör grillgallren och -halstrarna innan du lägger mat i grillen.
3. Pensla grilllytan och maten med olja innan grillning.
4. Prova följande: Halvera lök och stryk löken över gallret innan du börjar grilla. Maten fastnar inte i gallret.
5. Vänd inte maten för snabbt utan låt den brynas ordentligt.

## Grillningsguide om temperaturer

Nedan finns en lista över vägledande anvisningar hur länge och i vilken temperatur de vanligaste ingredienserna grillas. Vind, regn, temperaturen utomhus och grillens renlighet kan påverka tillredningstiden.



### Nöt

Ingrediens	Tjocklek / vikt	Grillningsmetod	Grillningstid
Entrecôte /ytterfilébiff	ca 2 cm	Direkt hög värme	2,5 – 3,5 min. / sida
Entrecôte /ytterfilébiff	ca 5 cm	Direkt hög värme Indirekt medelhög värme	2,5 min / sida 8 – 10 min.
En hel entrecôte	ca 1,5 kg	Direkt hög värme Indirekt medelhög värme	3 min. / sida 20 – 30 min.
Stek	ca 1,5 kg	Direkt medelhög värme Indirekt medelhög värme	3 – 4 min. / sida 30 – 40 min.
Hamburgerbiff	ca 2 cm	Direkt hög värme	2 – 3 min. / sida
Innertemperatur			
Röd – rosaröd		47 – 51 °C	
Medium		52 – 58 °C	
Välstekt - genomstekt		59 – 66 °C	



### Gris

Ingrediens	Tjocklek / vikt	Grillningsmetod	Grillningstid
Filébiff, kotlett	ca 2 cm	Direkt hög värme	2 – 2,5 min. / sida
Entrecôte	ca 600 g	Direkt hög värme Indirekt medelhög värme	3 min. / sida 20 – 30 min.
Revbensspjäll / ribs	ca 1,5 kg	Indirekt medelhög värme Direkt hög värme	60 – 90 min. 4 min. / sida
Kassler	ca 3 cm	Direkt medelhög värme Indirekt medelhög värme	2,5 – 3 min. / sida 15 – 20 min.
Färskkorv	ca 400 g	Direkt låg värme	2 – 3 min. / sida
Innertemperatur			
Färdig filé		65 – 70 °C	
Färdiga övriga ingredienser		65 – 70 °C	



## Kyckling och kalkon

Ingrediens	Tjocklek / vikt	Grillningsmetod	Grillningstid
Bröstfilé	ca 200 g	Direkt medelhög värme	5 – 6 min. / sida
Klubba	ca 120 g	Direkt medelhög värme	5 – 6 min. / sida
Vingar	ca 500 g	Direkt medelhög värme Indirekt medelhög värme	6 – 10 min. 30 – 40 min.
En hel kyckling	ca 900 g	Indirekt medelhög värme	60 – 75 min.
Innertemperatur			
Genomstekt		75 °C	



## Fisk

Ingrediens	Tjocklek / vikt	Grillningsmetod	Grillningstid
Tunn filé	ca 200 g	Direkt medelhög värme	2 – 3 min. / sida
Tjock filé	ca 120 g	Direkt medelhög värme	5 – 6 min. / sida
En hel fisk	ca 500 g	Indirekt medelhög värme	20 – 30 min.
Innertemperatur			
Rosa		45 – 50 °C	
Genomstekt		55 – 60 °C	



## Grönsaker

Ingrediens	Tjocklek / vikt	Grillningsmetod	Grillningstid
Mogen majs		Direkt medelhög värme	6 min.
Tomat		Direkt medelhög värme	6 min. / sida
Sparris		Direkt medelhög värme	3 – 5 min.
Potatisskivor		Direkt medelhög värme Indirekt medelhög värme	5 – 8 min. 10 – 15 min.
Rå potatis		Indirekt medelhög värme	45 – 60 min.



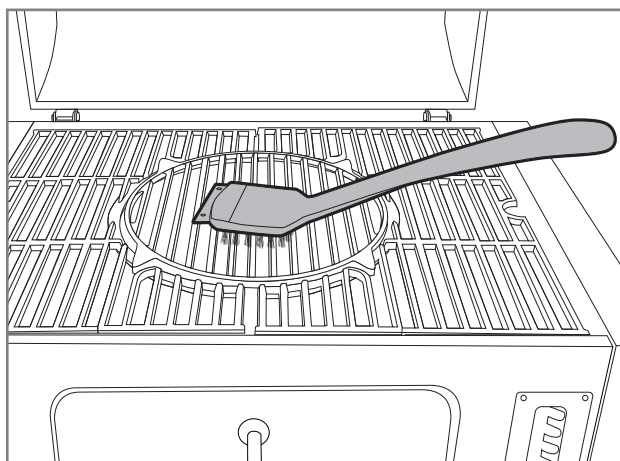
# Rengöring och förvaring av grillen

Genom att rengöra och underhålla grillen regelbundet kan du förlänga grillens livslängd märkbart. Om grillen inte värms upp ordentligt eller maten fastnar lätt i stekplattorna har grillen inte rengjorts eller underhållits enligt anvisningarna.

## Grillgaller och stekplattor

Grillgallren och stekplattorna ska alltid rengöras direkt efter användning medan grillen fortfarande är varm. Använd en borste eller skrapa avsedd för rengöring av grill för att rengöra grillen.

Grillgaller och stekplattor kan även tvättas med ett mildt rengöringsmedel och varmt vatten. Kom ihåg att torka och olja grillgallren och stekplattorna ordentligt efter tvätt.



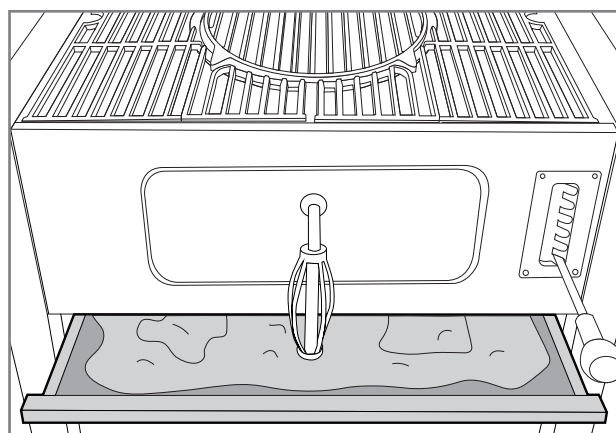
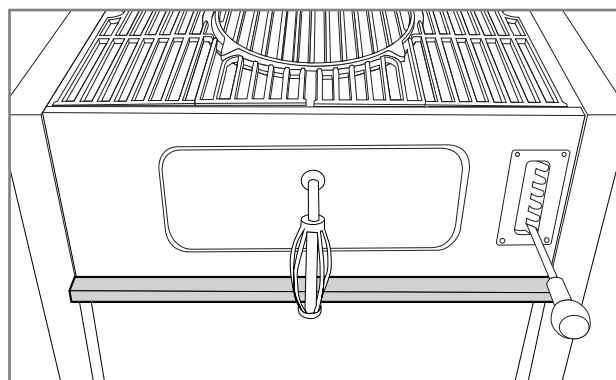
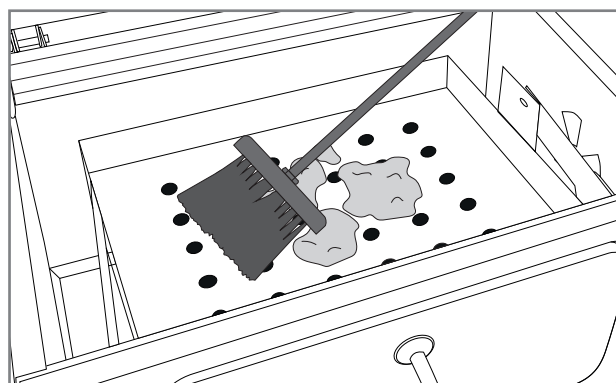
**i** Använd aldrig en stålborste som är avsedd för svetsarbete för att rengöra grillen. Garantin täcker inte skador orsakade av en stålborste.

## Borttagning av aska

När glöden helt säkert har slocknat och grillen svalnat, kan du borsta ut askan och rengöra kolträget.

Finfördelad aska kan bli fuktig när det är fuktigt väder och på så sätt orsaka att kolträget rostar. Kom ihåg att rengöra kolträget regelbundet.

Borsta kolträget rent med till exempel en borste och avlägsna askan med hjälp av askspjället.



## Grillens yttre ytor och ståldelar

Grillens yttre ytor och andra ståldelar måste också rengöras regelbundet. Följ följande allmänna anvisningar för att rengöra dem:

1. Rengör grillens ståldelar med Mustang rengöringsvätska för grillar eller med ett mildt diskmedel och trasa.
2. Kom ihåg att torka de rena delarna noggrant.
3. För att rengöra ytor med varningstexter får man inte använda rengöringsmedel eftersom de kan ta bort texter och övriga säkerhetsanvisningar.
4. Rengör alla grillens yttre ytor minst tre gånger per år för att undvika att smutsen fastnar i ytorna.
5. Testa alltid om ett nytt rengöringsmedel lämpar sig till grillen på ett omärkbart ställe.

**i** **Klor och salt kan orsaka rostbildning i grillen. Om grillen används vid havet eller i omedelbar närhet av en simbassäng ska grillen rengöras varje vecka.**

## Service

Det lönar sig att behandla ståldelar två till tre gånger per år med stålbehandlingsolja som säljs i butiken. Detta förhindrar bildning av smuts och rostfläckar på stålytorna.

Kom ihåg att kontrollera oljans lämplighet före användning, till exempel genom att testa oljan på ett mindre synligt område.

Kontrollera regelbundet att skruvarna på vagnen, luftventilerna och handtagen är åtdragna. Grillens höga temperaturfluktuationer kan göra att skruvarna blir lösare.

Olja in gångjärnets rörliga ståldelar med universalolja två gånger om året.

**i** **Använd inte en elektrisk skruvdragare för att dra åt, den kan förstöra skruvarna eller andra ståldelar. Skador på grund av för hård åtdragning av skruvarna täcks inte av garantin.**

## Förvaring

Se dessa anvisningar när du håller en längre paus i grillning eller du vill förvara grillen t.ex. över vintern. Om grillen förvaras på ett rätt sätt förlänger det grillens livslängd och håller grillen funktionsduglig år efter år. När du förvarar din grill, följ dessa anvisningar:

1. Rengör grillen fullständigt i enlighet med bruksanvisningarna.
2. Kontrollera att alla grillgallren/-halstrarna har oljats.
3. Om grillen förvaras utomhus, ta loss galler och halster från grillen. Dessa delar måste förvaras på ett torrt och varmt ställe. Det är skäl att slå in dessa delar separat i tidningspapper så att delarna inte repar ytorna.
4. Om grillen förvaras utomhus lönar det sig att skaffa ett högklassigt skyddsöverdrag som täcker grillen ända ner till marken. Kom ihåg att säkerställa att luften cirkulerar även under skyddsöverdraget.

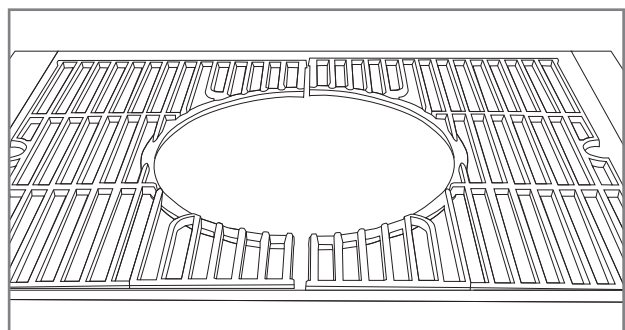
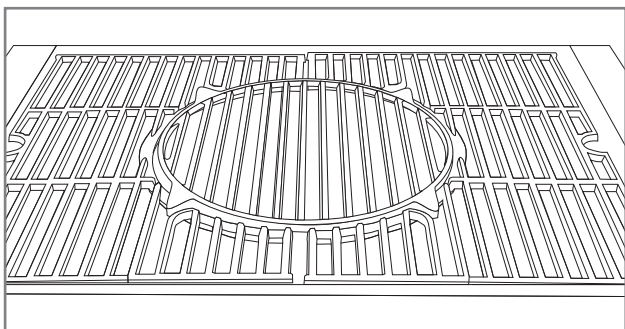
**i** **Förvara inte grillen så att snö från taket kan falla på grillen. Garantin täcker inte skador orsakade av snö och is.**

# Multigrill och extra tillbehör

## Grillsystemet Multigrill av gjutjärn

I vissa modeller är grillsystemet Multigrill standard och till det finns olika extra tillbehör för grillning tillgängliga.

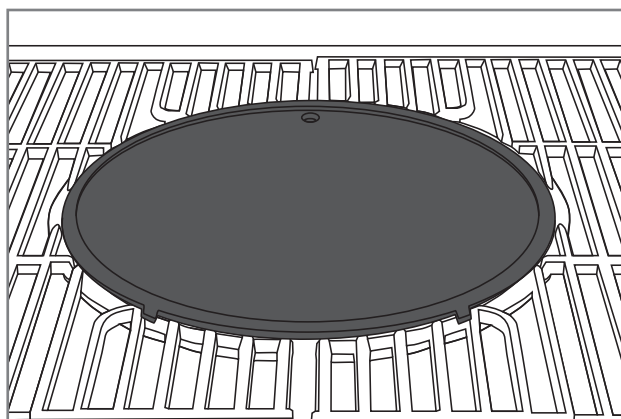
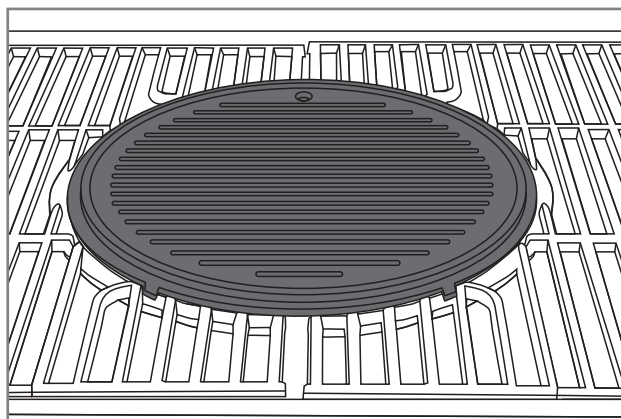
I modeller som inte har grillsystemet Multigrill, kan den del av de extra tillbehören användas direkt på grillgallret.



## Grillyta av gjutjärn

Produktkoder: 603434

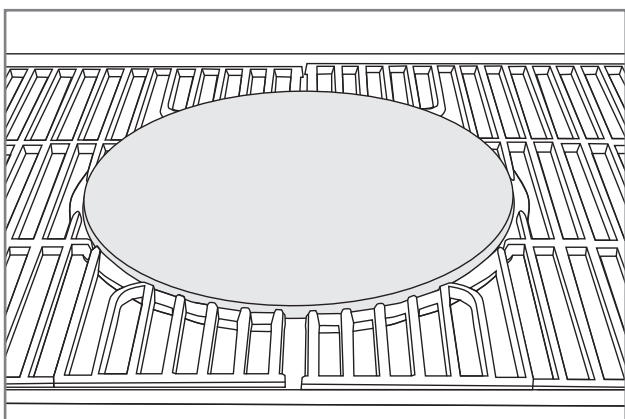
Halstrets ena sidan är räfflat och den andra slät. Ø 30 cm.



## Baksten/pizzasten

Produktkod: 316871

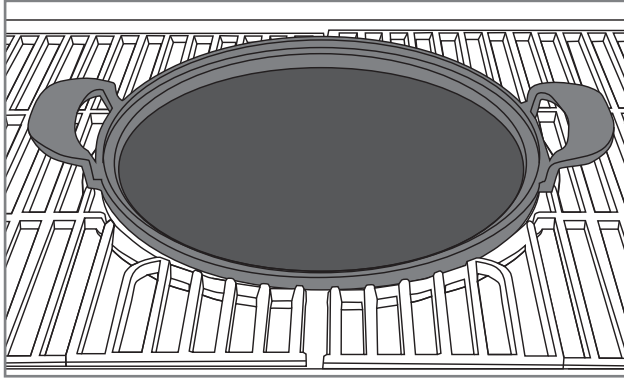
Mustangs baksten Ø 30,5 cm är gjord av hållbar kordieritsten. Bakstenen kan användas som bakunderlag för bröd, pajer och pizzor.



## LÅG gjutjärnspanna

Produktkod: 603435

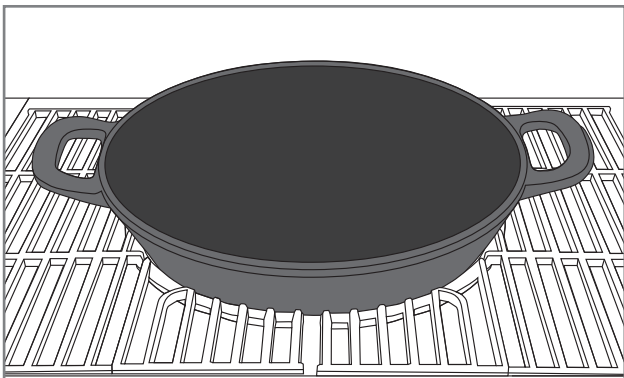
Med denna låga panna av gjutjärn tillreder du enkelt alla typer av mat. Pannan är enkel att lyfta bort från grillen med de praktiska lyfthandtagen. Ø 30 cm.



## Wokpanna av gjutjärn

Produktkoder: 603438

Mustangs wokpanna av gjutjärn fungerar utmärkt för wokning av olika grönsaker och andra livsmedel i grillen. Lyfthandtagen underlättar förflyttningen av pannan. Ø 30 cm.



# Felsökning

Funktionsfel kan uppstå i alla grillar. Dessa fel är vanligen enkla att reparera. Om du inte hittar ett svar på din fråga i schemat nedan, kontakta försäljarbutiken.

Fel	Eventuell orsak	Åtgärd
Luftventilerna fungerar inte som de ska.	Skruvarna i luftventiler är för hårt åtdragna.	Lossa skruvarna på luftventilerna.
	Ventilerna har klistrats fast på grund av smuts och fett.	Lossa ventilernas skruvar och rengör ventilerna.
Grillen tänds inte.	Luftventilerna är stängda.	Öppna luftventilerna.
	Kolet eller briketterna har blivit fuktiga.	Byt ur kolet eller briketterna.
Grillen blir inte tillräckligt het.	Elden får inte tillräckligt med syre.	Öppna de nedre luftventilerna helt och hållet.
	Det finns inte tillräckligt med kol.	Lägg till kol och öppna de nedre luftventilerna.
Grillen blir för het.	Elden får för mycket syre.	Stäng luftventilerna och vänta tills glöden slocknar. När temperaturen har sjunkit, öppna luftventilerna en aning. Tänd grillen igen vid behov.

# Garanti

Mustang kolgrillar har en tillverknings- och materialgaranti om minst 12 månader. Dock finns det modellspecifika skillnader mellan garantivillkoren. Uppdaterade garantivillkor och -tider finns på vår webbplats

**[mustang-grill.com](http://mustang-grill.com)**

Garantin gäller endast när inköpskvittot visas, där namnet på försäljarens butik och inköpsdatum ska ingå.



NO

**Monteringsanvisninger og bruksanvisning**

---

# Velkommen til Mustang-grillens verden

Vi er glade for at du valgte en Mustang-grill. Mustang ønsker å være din grillvenn og gi deg den ultimate grilleopplevelsen. Mustang ble etablert med visjonen om å skape stunder med rolig og avslappet matlaging med familie og venner, og dette er konseptet vi ønsker å dele med deg.

Mustang-grillene og -tilbehøret er nøye designet og ferdigstilt, og vi er stolte over å representere dem. Vår lange erfaring og ekspertise kan sees i alle våre produkter. De inkluderer alle viktige funksjoner og egenskaper. Vi er overbevist om at denne grillen vil gi deg glede i lang tid, så lenge du husker å vedlikeholde og rengjøre den i henhold til instruksjonene i denne håndboken.

## Det mest omfattende utvalget av grillprodukter

Mustang er et merke som eies av det finske selskapet Tammer Brands Oy. Mustang tilbyr alt utstyr, rekvisita, tilbehør og reservedeler som trengs for grilling, samt et omfattende produktutvalg for røyking av mat og tilberedning av pizza. Vi er eksperter på grillkultur, og kan i så måte sikre at du får tilgang til de mest passende og moderne produktene. Mustang er det eneste merket du trenger for en vellykket grillmat.

## Kundeservice:

Tammer Brands Oy,  
tlf. +358 3 252 1111.  
Viinikankatu 36,  
FI-33800 Tampere, FINLAND

**TAMMER**  
BRANDS | EST 1954

[mustang-grill.com](http://mustang-grill.com)



**Les brukerhåndboken før du bruker grillen og oppbevar den for senere bruk.**

Følg oss på sosiale medier



**mustanggrill**

# Innholdsfortegnelse

<b>Monteringsanvisning</b> .....	3
Før du starter monteringen .....	5
<b>Sikkerhetsinstruksjoner og advarsler</b> .....	90
Plassere grillen .....	90
Generelle sikkerhetsinstruksjoner .....	91
<b>Bruk av kullgrillen</b> .....	92
Tiltak som må utføres før du bruker produktet for første gang .....	92
Tiltak å utføre før hver bruk .....	92
Tenning av kullgrillen med en fyrstikk eller lang lighter .....	92
Tenning av kullgrillen med et opptenningsrør .....	93
Grilling ved høye temperaturer .....	94
Grilling ved lave temperaturer .....	94
Indirekte grilling .....	94
Baking og steking .....	95
Generell informasjon om regulering av temperaturen .....	95
Heve/senke kullbrettet .....	96
Tilsetning av kull eller briketter under grilling .....	96
Kullmengde .....	96
Kullmengde ved indirekte grilling .....	97
Slå av grillen .....	97
Fettbrann .....	97
Flammen blusser opp .....	97



<b>Nyttige verktøy</b> .....	98
Generelle instruksjoner for grilling .....	98
Marinader .....	98
Forhindre at mat fester seg til grillen .....	98
Veiledning for grilltemperatur .....	99
<b>Rengjøring og oppbevaring av grillen</b> .....	101
Grillrister og -plater .....	101
Fjerning av aske .....	101
Grillens utvendige overflater og ståldeler .....	102
Vedlikehold .....	102
Oppbevaring .....	102
<b>Multigrill og tilbehør</b> .....	103
Multigrill-grillsystem av støpejern .....	103
Baking / pizzastein .....	103
Grillplate i støpejern .....	103
Grunn støpejernspanne .....	104
Wok i støpejern .....	104
<b>Feilsøking</b> .....	105
<b>Garanti</b> .....	105

## Sikkerhetsinstruksjoner og advarsler

Når du begynner å bruke denne kullgrillen, er du forpliktet til å lese nøye gjennom og ta hensyn til advarslene og sikkerhetsinstruksjonene i denne bruksanvisningen før du bruker den. Denne grillen er produsert i henhold til standarden EN1860-1.

Symbolforklaringer:




FARE!



MERK!

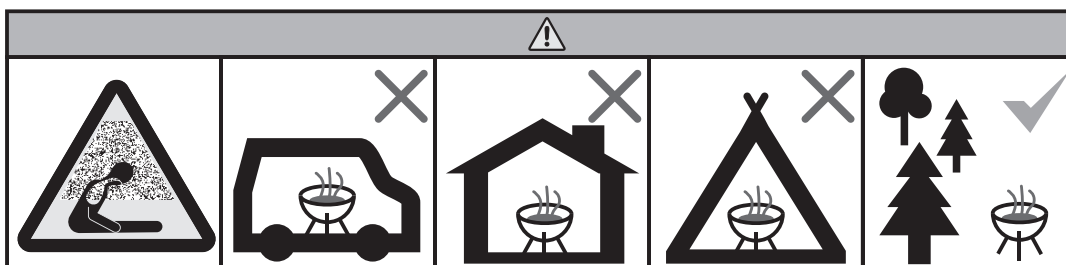
### Plassere grillen

 Denne grillen er kun til utendørs bruk. Den må aldri brukes innendørs eller i lukkede rom. Sjekk punktene som bør vurderes nedenfor.

- Bruk kun grillen utendørs.
- Ikke bruk grillen nær en vegg, i en garasje, campingvogn eller tilhenger eller et annet lukket rom, eller innendørs.
- Sørg for at grillen er plassert minst to meter unna brennbare materialer.
- Ikke plasser grillen under parasoll eller kalesje på grunn av fare for oppblussing.
- Sørg for at et brannteppe/-slukningsapparat og et førstehjelpsutstyr tilgjengelig i nærheten av grillen.
- Sørg for at grillen plasseres på en horisontal og varmebestandig overflate, siden varme glør kan fly eller falle ut av grillen ved normal bruk.
- Ikke plasser grillen nær følsomme overflater, da fett og marinader kan søle eller sprute ut under vanlig bruk.
- Ikke bruk grillen som peis.

 Unnlatelse av å følge disse instruksjonene ved plassering av grillen vil medføre brannfare.

 Bruk av grillen innendørs eller i et lukket rom vil forårsake en risiko for karbonmonoksidforgiftning.



## Generelle sikkerhetsinstruksjoner



**Bruk av Kamado-grillen til andre formål enn det tiltenkte formålet kan utgjøre en fare. Selv de minste strukturelle modifiseringene av grillen, er forbudt. Sjekk punktene som bør vurderes nedenfor.**

- Følg monteringsanvisningen nøye og sørg for at ingen deler blir avinstallert under monteringen. Hvis du ikke følger instruksjonene eller du ikke har installert alle delene, kan du oppleve problemer ved bruk av apparatet. Brukeren er ansvarlig for korrekt montering av grillen.
- Bruk kun tennved i samsvar med standarden EN1860-3. Ikke bruk grillvæske, bensin, alkohol eller lignende kjemikalier for å antenne grillen.
- Ikke tilsett grillvæske på brennende kull eller varme glør.
- Grillen vil varmes opp under bruk, så vær spesielt forsiktig hvis det er barn, eldre eller kjæledyr i nærheten av grillen.
- Grillen vil fungere best med trekull. Ikke brenn ved i grillen.
- Ikke oppbevar brennbare materialer eller væsker i umiddelbar nærhet av grillen.
- Vær oppmerksom på røyken forårsaket av grillen; ikke bruk grillen i nærheten av åpne vinduer.

- Ikke la grillen stå uten tilsyn mens den er i bruk.
- Hold alltid fenderen til grillens nedre ventil lukket når du bruker grillen.
- Bruk varmebestandige votter når du bruker grillen.
- Ikke bruk vann til å slukke grillen: Vannet kan skade de keramiske overflatene. Slukk grillen ved å kvele glørne.
- Ikke flytt grillen hvis den er i bruk eller varm etter bruk.
- Sjekk alltid grillen før bruk i tilfelle skade eller slitasje. Skift eventuelt ut skadede deler.
- Om grillen ikke fungerer normalt, skal den ikke brukes.
- Ikke la barn bruke grillen.
- Alkohol, reseptbelagte medisiner og rusmidler av alle slag kan påvirke brukerens evne til å betjene grillen på en sikker og hensiktsmessig måte.



**Når du åpner panseret til grillen, løft først panseret litt for å slippe luft inn i glørne sakte og trygt. På denne måten kan du unngå overflødig oppblussing og skade.**

# Bruk av kullgrillen

## Tiltak som må utføres før du bruker produktet for første gang

Når du bruker produktet for første gang, er hovedformålet å sikre dets funksjonalitet og kontrollere eventuelle løsnede ståldeler forårsaket av termisk ekspansjon.

1. Sjekk at grillen er montert i henhold til instruksjonene.
2. Tenn grillen i henhold til instruksjonene.
3. La kullet brenne ut og vent til grillen er helt avkjølt.
4. Kontroller alle skruer og stram dem etter behov.
5. Grillen din er nå klar til bruk.

**i** Ikke bruk grillen hvis den er skadet eller mangler deler.

**i** Ikke legg for mye kull i grillen siden overflødig varme kan skade den.

## Tiltak å utføre før hver bruk

For å betjene grillen på en sikker og hensiktsmessig måte, må du utføre noen få kontroller før hver bruk. Gå nøye gjennom sjekklisten nedenfor:

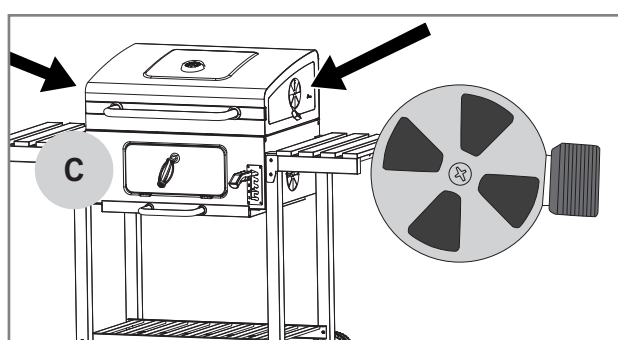
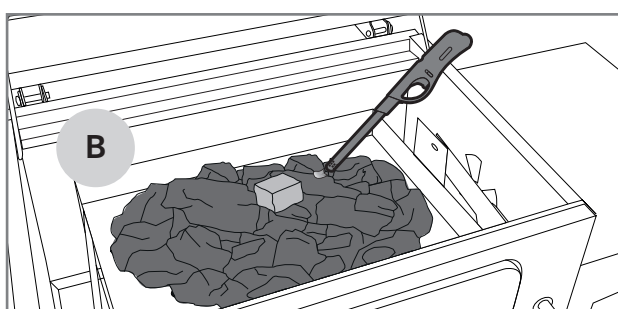
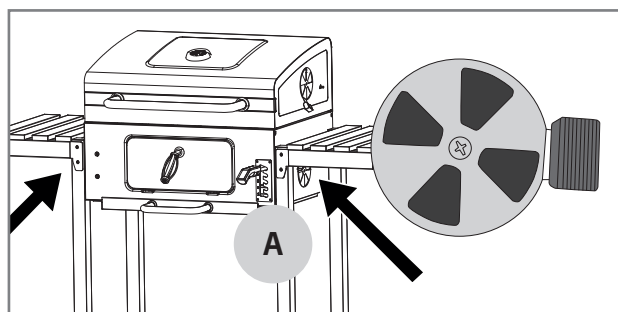
1. Sjekk at grillen er plassert i henhold til instruksjonene.
2. Sjekk at det ikke er brennbare materialer eller væsker i umiddelbar nærhet av grillen.
3. Fjern eventuelle askerester fra brennkammeret.
4. Rengjør og smør grillristen eller -platen med matolje.
5. Tenn grillen i henhold til instruksjonene.

**!** Ikke bruk grillen hvis den er skadet eller mangler deler.

## Tenning av kullgrillen med en fyrstikk eller lang lighter

Bruk kun løvtrekull eller briketter i kullgrillen. Bruk kun tennved i samsvar med standarden EN1860-3 for å tenne grillen.

1. Åpne panseret på grillen og fjern risten.
2. Legg omtrent tre håndfuller med kull på brettet.
3. Legg også en Mustang tennbrikett blant kullet.
4. Åpne de nedre ventilene helt (A).
5. Tenn tennbriketten med en lang fyrstikk eller lighter (B).
6. Når tennbrikettene er antent, lukker du panseret og åpne de øvre luftventilene helt (C).
7. Når glørne eller brikettene har blitt lysegrå, er glørne klare til steking.
8. Juster luftventilene til ønsket punkt.
9. Grillen er nå klar til bruk.



**i** Ikke bruk ved eller andre treartikler til å brenne grillen. Bruk av feil type brennstoff kan skade grillen. Skader forårsaket av upassende brennstoff dekkes ikke av garantien.

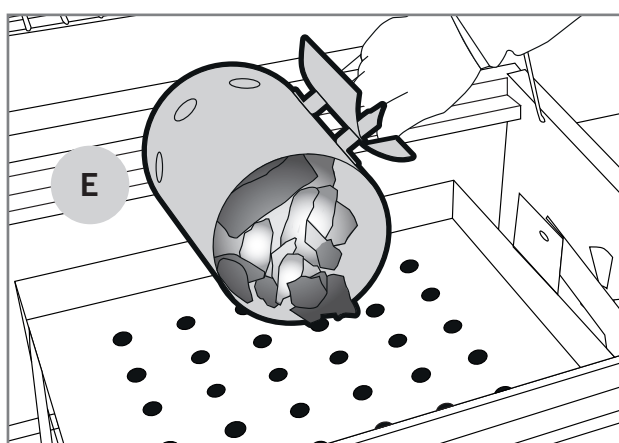
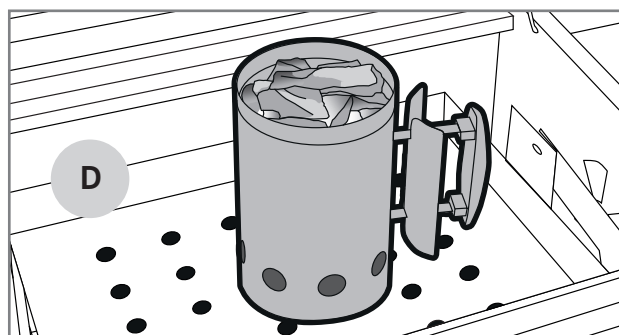
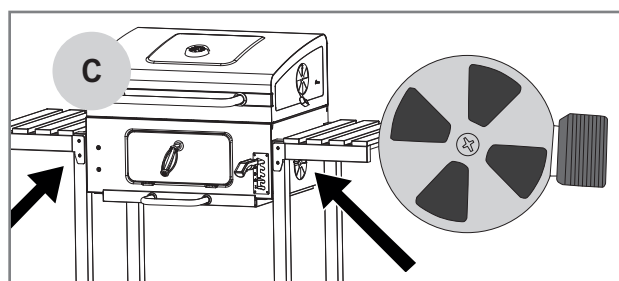
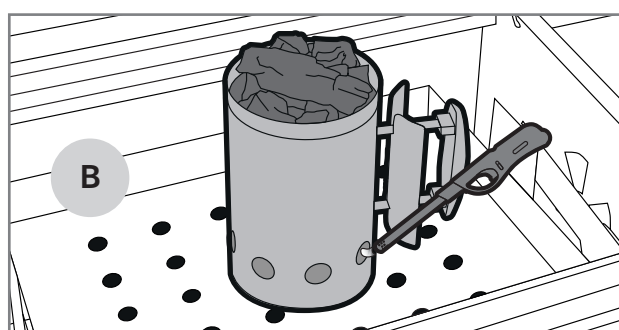
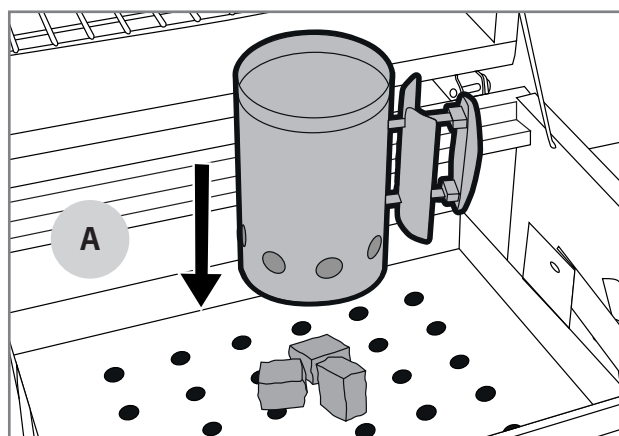
**i** Ikke bruk bensin, alkohol eller lignende kjemikalier for å antenne grillen.

**i** Vær forsiktig når du tilsetter grillvæske på kullet. Ikke la grillvæsken lekke gjennom kullet til bakken. Garantien dekker ikke skader på grillen eller dens omgivelser forårsaket av lekkende grillvæske.

## Tenning av kullgrillen med et opptenningsrør

For rask grilling kan du tenne grillen med et opptenningsrør. Mustang-opptenningsrør selges separat.

1. Åpne panseret på grillen og fjern risten.
2. Plasser noen Mustang-tennbrikettene på kullbrettet (A).
3. Plasser opptenningsrøret direkte oppå tennbrikettene.
4. Fyll opptenningsrøret med Mustang-kull eller briketter.
5. Tenn tennbrikettene gjennom opptenningsrøret lufthull med en lang fyrstikk eller lighter (B).
6. Åpne de nedre ventilene helt (C).
7. Kullet/brikettene vil være klare til bruk når du ser flammer på toppen av opptenningsrøret (D).
8. Plasser de brennende kullet/brikettene forsiktig på kullbrettet (E). Husk votter!
9. Lukk panseret og juster luftventilene til ønsket punkt.
10. Grillen er nå klar til bruk.



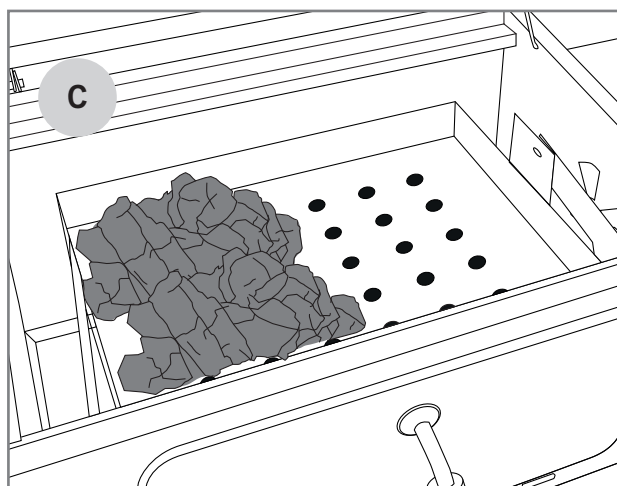
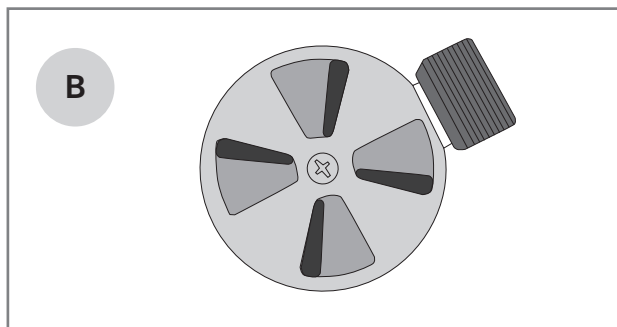
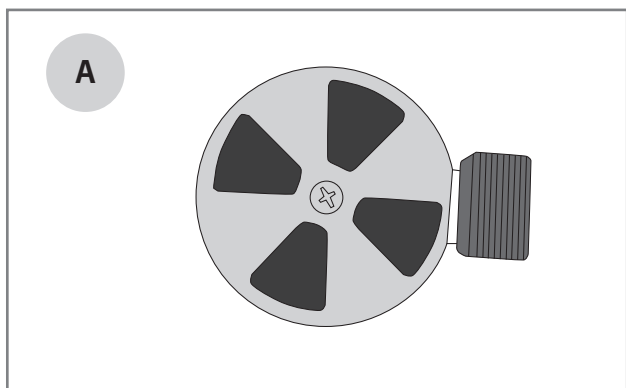
## Grilling ved høye temperaturer

Mat som krever raskere tilberedning grilles vanligvis ved høyere temperaturer, 220–300°C. Dette sikrer at de ytre overflatene av matvarene blir sprøere mens de indre delene forblir saftige.

1. Tenn grillen i henhold til instruksjonene.
2. Overvåk temperaturen på termometeret på panseret.
3. Når ønsket temperatur er nådd, la alle luftventilene være helt åpne (A).
4. Grillen er nå klar til bruk.



Åpne panseret på grillen forsiktig for å slippe luft inn i glørne sakte og trygt. På denne måten kan du unngå overflødig oppblussing og skade.



## Indirekte grilling

Indirekte grilling lar deg tilberede retter som krever mer tid, for eksempel hele steker, broiler og fisk. Indirekte grilling brukes også til å tilberede kjøttstykker som har blitt brunet ved bruk av direkte varme. Ved indirekte grilling plasseres kullet kun på den ene siden av kullbrettet (C).

## Grilling ved lave temperaturer

Spesielt med store kjøttstykker anbefales lengre grilltid ved lavere temperatur. På denne måten blir kjøttet mørt og tørker ikke like lett. En lav grilltemperatur er også egnet for mer sensitive ingredienser. Instruksjoner for grilling ved lave temperaturer:

1. Tenn grillen i henhold til instruksjonene.
2. Overvåk temperaturen på termometeret på panseret.
3. Når du når ønsket temperatur, lukk øvre og nedre luftventiler så mye som mulig (B).
4. Du kan begrense direkte varme ved å flytte kullet til den ene siden av grillen (C).
5. Grillen er nå klar til bruk.

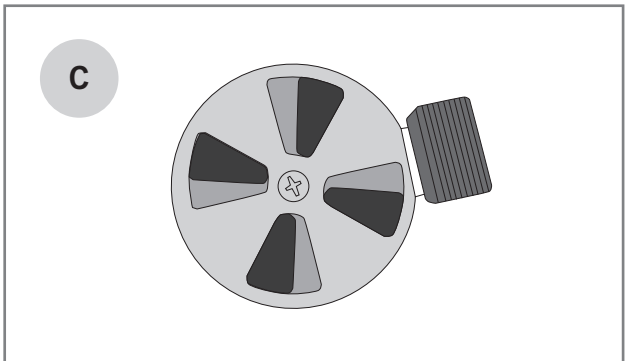
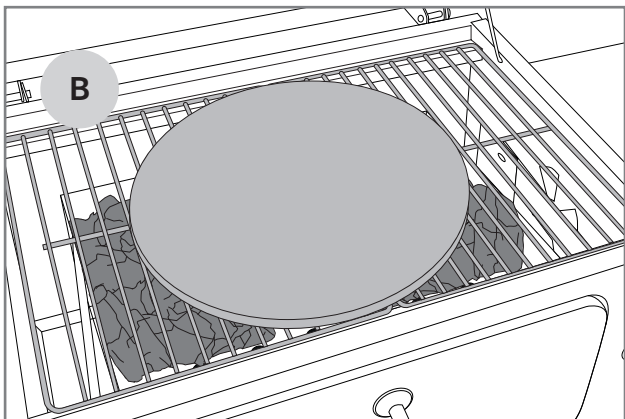
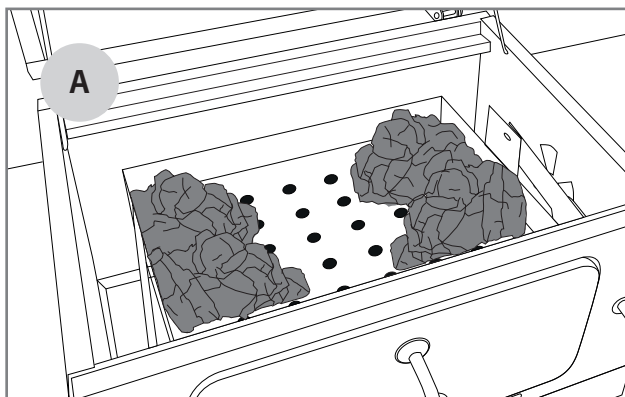


Bruk varmebestandige votter når du justerer luftventilene.

## Baking og steking

Kullgrillen er også utmerket for grilling når du bruker en separat bakestein. Mustang-bakesteinene selges separat.

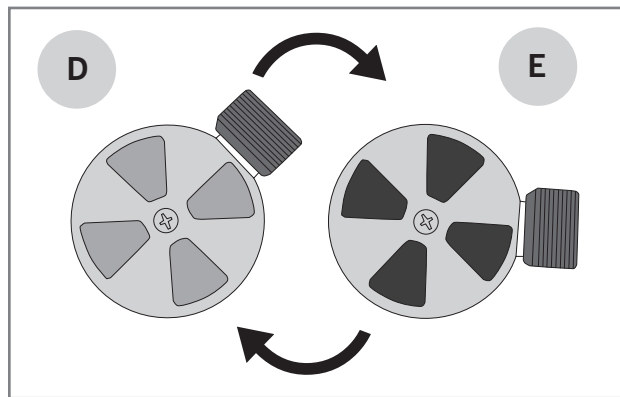
1. Plasser kullet på begge sider av kullbrettet (A).
2. Tenn grillen i henhold til instruksjonene.
3. Når tennene har brent ut, åpner du panseret og setter bakesteinen på plass (B).
4. Lukk panseret, hold luftventilene helt åpne og la glørne telle skikkelig.
5. Overvåk temperaturen på termometeret på panseret.
6. Når ønsket temperatur er nådd, still alle luftventiler til midtposisjon (C).
7. Grillen er nå klar til bruk.



## Generell informasjon om regulering av temperaturen

Du kan regulere temperaturen på kullgrillen ved å endre luftstrømmen. Temperaturen påvirkes også av mengden av og kvaliteten på trekull. Nedenfor er en liste over det viktigste ved varmeregulering:

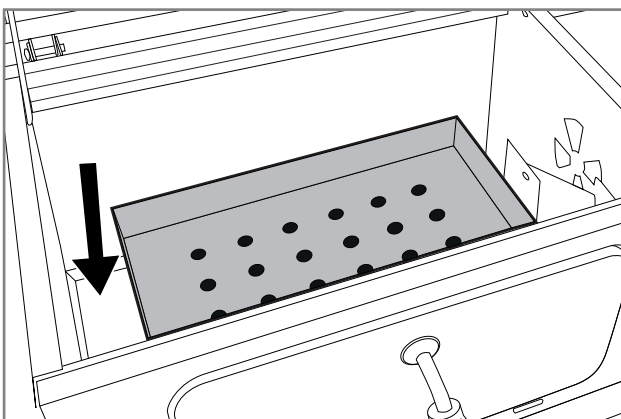
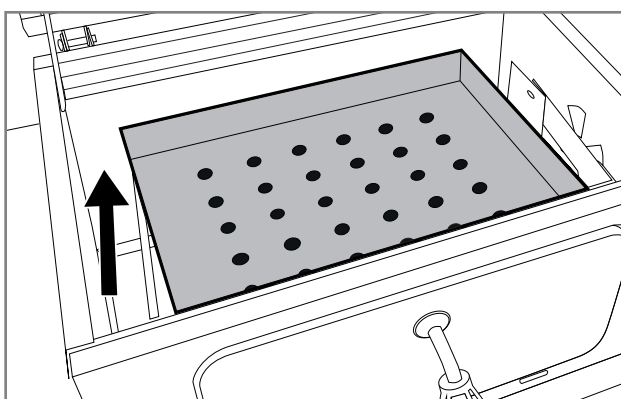
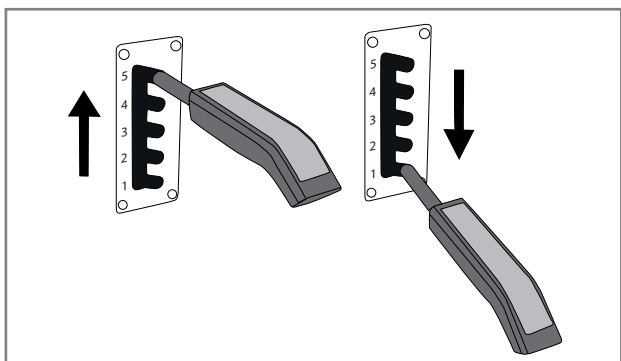
1. De nedre luftventilene tilfører luft til grillen, mens de øvre luftventilene slipper den ut.
2. De nedre luftventilene muliggjør grov temperaturjustering.
3. De øvre luftventilene brukes til å finjustere temperaturen.
4. Når du vil øke temperaturen trenger grillen mer luft (D-E).
5. Når du vil senke temperaturen, må du begrense grillens lufttilførsel (E-D).



## Heve/senke kullbrettet

Du kan også justere grilltemperaturen på maten ved å heve og senke kullbrettet. I hevet posisjon utsettes maten for en mer presis og varmere temperatur, mens i nedre posisjon fordeles varmen over et bredere område. Temperaturen påvirkes også av mengden av og kvaliteten på kull samt justering av lufterventiler.

Kullbrettet heves og senkes til passende høyde med en seks-nivås justeringsspak.



## Tilsetning av kull eller briketter under grilling

Når du skal grille godt over lengre tid, må du kanskje legge kull eller briketter i grillen. Dette kan enkelt gjøres ved å fjerne én av grillristene. Hvis du ønsker å legge til kull eller briketter mens du griller, følg trinnene nedenfor:

1. Åpne panseret.
2. Fjern én av grillristene og sett den til side.
3. Tilsett kullet eller brikettene med en lang grilltang og bruk votter.
4. Skift den fjernede grillristen.
5. Lukk panseret.

**i** Hver gang panseret åpnes, vil temperaturen inne i grillen endres. Dette kan endre tilberedningstiden.

## Kullmengde

Velg mengden kull i henhold til maten du griller og hvordan du vil grille den. Hvis du griller maten raskt på høy temperatur, kan du bruke følgende tabell:

Grill diameter	Kull antall
< 47 cm	0,3 – 0,5 kg
47 cm	0,6 – 0,8 kg
57 cm	1,0 – 1,2 kg



## Kullmengde ved indirekte grilling

Indirekte grilling ved lave temperaturer vil kreve at du legger til kull under grillingen. Du kan bruke den veiledende tabellen nedenfor for å beregne mengden kull som trengs:

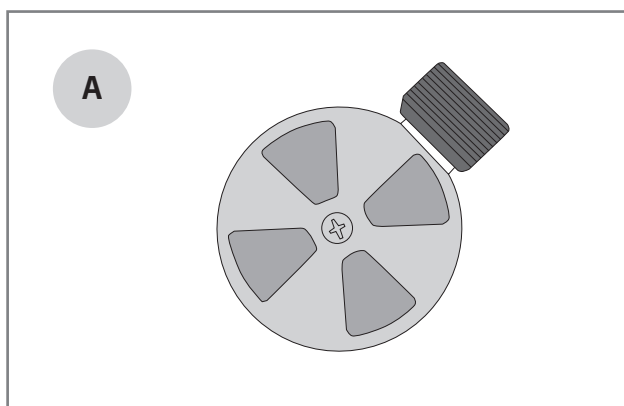
Grill diameter	Kull antall	Ekstra trekull nødvendig per time
< 47 cm	0,2 – 0,3 kg	0,3 kg
47 cm	0,3 – 0,4 kg	0,3 kg
57 cm	0,4 – 0,5 kg	0,4 kg

## Slå av grillen

Når du har sluttet å bruke grillen, slukk grillen ved å følge disse trinnene:

1. Lukk panseret.
2. Lukk alle luftventiler helt (A).
3. Hold panseret og luftventilene lukket til neste dag for å sikre at glørne er slukket og grillen er avkjølt.

**i** Ikke bruk vann til å slukke trekull. Å kaste vann på varmt kull kan skade grillen.



## Fettbrann

Fjern alltid ekstra fett eller marinade fra bunnen av og veggene på grillen, kullristen og grillristen.

Hvis overflødig fett samler seg i grillen, kan fettete begynne å brenne og forårsake fettbrann. Brannen kan skade grillen og omgivelsene og være farlig.

Vær oppmerksom på brannfaren, spesielt når du griller store mengder kjøtt med høyt fettinnhold, i så fall vil fettete fra kjøttet samle seg i bunnen av grillen.

## Flammen blusser opp

Flammen som blusser opp av og til er en normal reaksjon i en kullgrill. Det gir også smak til maten. Hvis flammen blusser opp ofte, øker grillens indre temperatur og mer fett faller fra maten som grilles. Disse fenomenene øker i sin tur risikoen for fettbranner. Dette er grunnen til at oppblussingen bør forhindres gjennom forhåndsiltak.

1. Fjern ekstra fett fra kjøttet.
2. Prøv å grille kjøtt ved riktig temperatur.
3. Pass på at det ikke er ekstra fett eller marinade på bunnen av grillen eller grillveggene.
4. Hold panseret lukket så ofte som mulig.

**i** Når du griller med panseret lukket, vil grillens temperatur bli jevnere og lettere å kontrollere.

# Nyttige verktøy

## Generelle instruksjoner for grilling

Grilling er veldig enkelt og avslappende når du har noen regler i tankene og bruker disse generelle grillinstruksjonene:

- Vent til kullet eller brikettene har lyst skikkelig opp. Når de er blitt lysegrå, er glørne klare til steking.
- Grillen må varmes opp skikkelig. Det keramiske huset holder på varmen effektivt, noe som hjelper med temperaturregulering. Når ristene og stekeplatene er tilstrekkelig varme, har maten mindre lett for å feste seg til dem, og matvarene får en ordentlig grillert overflate.
- Ikke grill med skitne forsyninger. Gamle marinader og matrester fester seg lett på risten og maten. Rengjør grillristene etter hver bruk. På denne måten er de klare for neste grilløkt.
- Ha grillutstyret lett tilgjengelig. Det er lettere å kontrollere riktige grilltider og -temperaturer når du har alle forsyninger, krydder, marinader og retter du trenger i nærheten av grillen.
- Grill med panseret lukket så ofte som mulig. Når du griller med panseret lukket, synker ikke grillens temperatur unødvendig, og grillingen går raskere.
- Snu kjøttet så lite som mulig; én gang er nok. Når maten får steke sakte på risten/pannen, får den en pent brunet overflate.
- Bruk et termometer! Griller du maten for lenge, vil maten bli tørr og miste smaken. Du kan oppnå best resultat hvis du også får et kjøtttermometer.
- La kjøttet hvile i 10–20 minutter før du skjærer/ serverer det. Mens kjøttet hviler, blir temperaturen jevnere og saften renner ikke for mye ut når kjøttet kuttes.

## Marinader

Bruk av marinader er svært vanlig ved grilling. Deres formål er å krydre grillmaten etter smak. Men marinader gjør også at maten fester seg til ristene. På samme måte kan oljeholdige marinader søle på brennkammeret og få flammen til å blusse opp, eller til og med forårsake fettbranner. Med disse få tipsene kan du redusere problemene forårsaket av marinader:

1. Prøv å tørke ekstra marinade av maten før du legger dem på grillen.
2. Hvis du tilsetter marinade under grillingen, bruk alltid en pensel. Ikke hell marinaden på maten rett fra flaske.
3. Velg tørre krydderblandinger under grilling.

**i** Ikke bruk rester av marinade fra tilberedning av rått kjøtt til å krydre stekt mat. I dette tilfellet vil bakteriene fra det rå kjøttet overføres til den tilberedte maten.

## Forhindre at mat fester seg til grillen

Mat som fester seg til risten eller grillplaten er et vanlig fenomen for alle grillkokker. Her er noen tips for å unngå overdreven festing:

1. Forvarm grillen slik at den er tilstrekkelig varm.
2. Rengjør ristene og grillplatene før du legger maten på grillen.
3. Smør olje på grillflaten og maten før du legger den på grillen.
4. Prøv dette: Skjær en løk i to og gni løken mot grillristen før du begynner å grille. Maten vil ikke feste seg til risten.
5. Ikke snu maten på grillen for raskt; la overflaten grilles skikkelig.

## Veiledning for grilltemperatur

Nedenfor er en liste over veiledende grilltider og temperaturer for de vanligste ingrediensene. Elementer som vind, regn, utetemperatur og grillens renslighet kan påvirke tiden som kreves.



### Storfekjøtt

Ingrediens	Tykkelse/vekt	Grillmetode	Grilltid
Indrefilet/mørbradbiff	ca. 2 cm	Direkte høy varme	2,5 – 3,5 min per side
Indrefilet/mørbradbiff	ca. 5 cm	Direkte høy varme Indirekte middels varme	2,5 min per side 8–10 min
Hel indrefilet	ca. 1,5 kg	Direkte høy varme Indirekte middels varme	3 min per side 20–30 min
Stek	ca. 1,5 kg	Direkte middels varme Indirekte middels varme	3 – 4 min per side 30–40 min
Hamburgerkake	ca. 2 cm	Direkte høy varme	2 – 3 min per side
Innvendig temperatur			
Blodig – nesten blodig		47 – 51 °C	
Middels		52 – 58 °C	
Nesten ferdig – godt gjort		59 – 66 °C	



### Svinekjøtt

Ingrediens	Tykkelse/vekt	Grillmetode	Grilltid
Filetbiff, kotelett	ca. 2 cm	Direkte høy varme	2 – 2,5 min per side
Indrefilet	ca. 600 g	Direkte høy varme Indirekte middels varme	3 min per side 20–30 min
Ribbe	ca. 1,5 kg	Indirekte middels varme Direkte høy varme	60–90 min 4 min per side
Lårstykke	ca. 3 cm	Direkte middels varme Indirekte middels varme	2,5 – 3 min per side 15–20 min
Rå pølse	ca. 400 g	Direkte lav varme	2 – 3 min per side
Innvendig temperatur			
Gjennomstekt filet		65 – 70 °C	
Bra gjort, andre innholdsstoffer		65 – 70 °C	



## Kylling og kalkun

Ingrediens	Tykkelse/vekt	Grillmetode	Grilltid
Brystfilet	ca. 200 g	Direkte middels varme	5 – 6 min per side
Bein	ca. 120 g	Direkte middels varme	5 – 6 min per side
Wingsit	ca. 500 g	Direkte middels varme Indirekte middels varme	6 – 10 min 30 – 40 min
Hel kylling	ca. 900 g	Indirekte middels varme	60 – 75 min
Innvendig temperatur			
Gjennomstekt		75 °C	



## Fisk

Ingrediens	Tykkelse/vekt	Grillmetode	Grilltid
Tynn filet	ca. 200 g	Direkte middels varme	2 – 3 min per side
Tykk filet	ca. 120 g	Direkte middels varme	5 – 6 min per side
Hel fisk	ca. 500 g	Indirekte middels varme	20–30 min
Innvendig temperatur			
Rosé		45 – 50 °C	
Gjennomstekt		55 – 60 °C	



## Grønnsaker

Ingrediens	Tykkelse/vekt	Grillmetode	Grilltid
Kokt mais		Direkte middels varme	6 min
Tomat		Direkte middels varme	6 min per side
Asparges		Direkte middels varme	3–5 min
Oppskåret potet		Direkte middels varme Indirekte middels varme	5–8 min 10–15 min
Ukokt potet		Indirekte middels varme	45 – 60 min

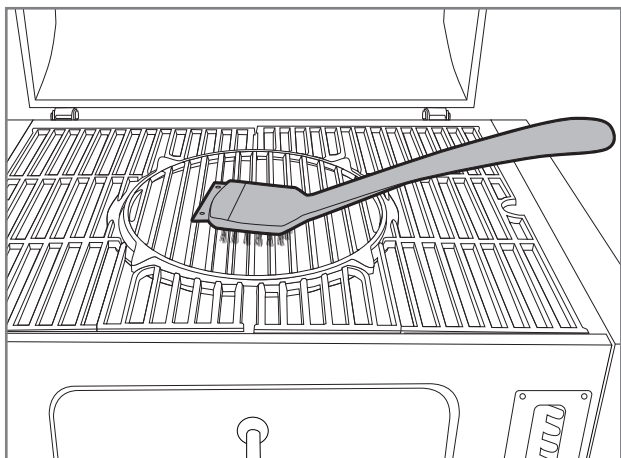
# Rengjøring og oppbevaring av grillen

Du kan forlenge levetiden til grillen betraktelig hvis du rengjør og vedlikeholder den regelmessig. Hvis grillen ikke varmes opp tilstrekkelig eller maten fester seg for mye til ristene, har ikke grillen blitt rengjort eller vedlikeholdt som anvist.

## Grillrister og -plater

Rengjør alltid ristene og -platene umiddelbart etter bruk når grillen fortsatt er varm. Bruk en børste eller skrape beregnet for rengjøring av griller.

Du kan også vaske rister og grillplater med mild såpe og varmt vann. Husk å tørke og smøre grillristene og -platene grundig etter vask.



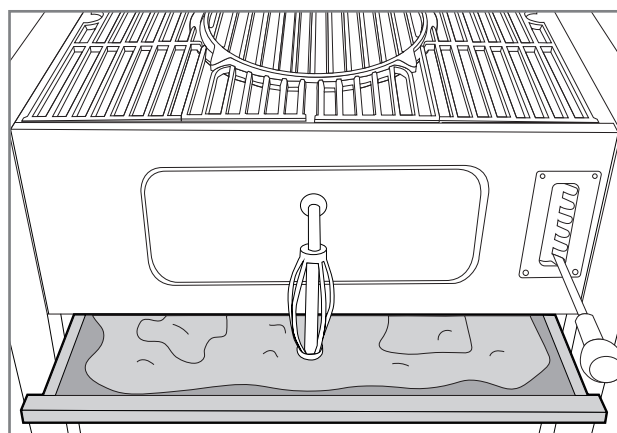
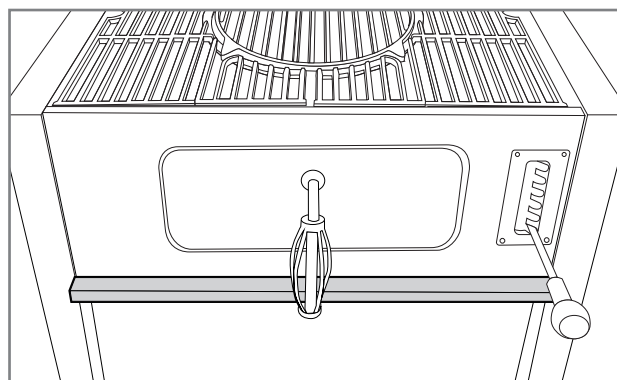
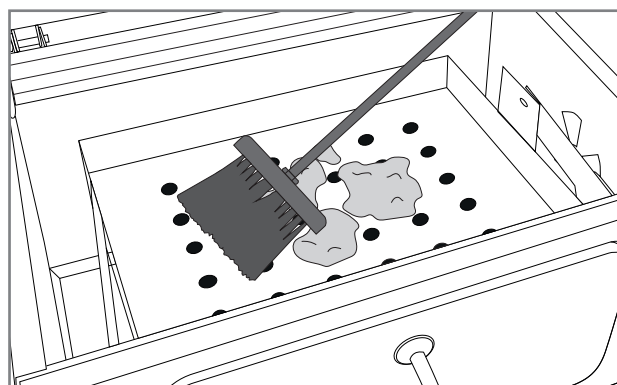
**i** Ikke bruk en stålbørste beregnet for sveising til å rengjøre grillen. Garantien dekker ikke skader forårsaket av en slik stålbørste.

## Fjerning av aske

Når du er sikker på at glørne er slukket og grillen er avkjølt, kan du fjerne asken og rengjøre kullbrettet.

Når været er fuktig, kan fin aske bli våt og få kullbrettet til å ruste. Ikke glem å rengjøre kullbrettet regelmessig.

Rengjør kullbrettet ved å børste og fjerne asken med et askebeleg.



## Grillens utvendige overflater og ståldeler

Du må også rengjøre grillens utvendige overflater og ståldeler regelmessig. Du kan følge de generelle instruksjonene nedenfor for rengjøring av slike komponenter.

1. Rengjør grillens ståldeler med Mustang-grillrens-  
evæske eller mildt oppvaskmiddel og en klut.
2. Ikke glem å tørke de rengjorte delene nøye.
3. Ikke bruk vaskemidler til rengjøring av overflater med advarselsetiketter, da de kan fjerne teksten eller andre etiketter.
4. Rengjør alle grillens ytterflater minst tre ganger i året slik at flekker ikke fester seg til overflatene.
5. Test alltid egnetheten til et nytt vaskemiddel på et umerkelig sted.

**i** **Klorid og salt kan få grillen til å ruste. Hvis grillen brukes i umiddelbar nærhet av sjøvann eller et basseng, må den rengjøres ukentlig.**

## Vedlikehold

Vi anbefaler at du behandler ståldelene med en vedlikeholdsolje for stål 2–3 ganger i året. Disse oljene er å finne i visse butikker. På denne måten kan du forhindre at det oppstår flekker og rustflekker på ståloverflatene.

Kontroller oljens egnethet før bruk: Test den først på et mindre synlig sted.

Kontroller at skruene på trallen, luftventiler og håndtak er strammet regelmessig. Store temperatursvingninger kan føre til at skruene løsner.

Smør de bevegelige ståldelene av hengslet med multifunksjonsolje to ganger i året.

**i** **Ikke bruk en elektrisk skrutrekker for å stramme skruene, da dette kan skade skruene eller andre ståldeler. Skader på grunn av overdreven tiltrekking av skruene dekkes ikke av garantien.**

## Oppbevaring

Sjekk disse instruksjonene hvis du slutter å bruke grillen over lengre tid eller ønsker å lagre grillen for eksempel for vinteren. Riktig oppbevaring forlenger grillens levetid og holder den funksjonell i mange år. Følg disse instruksjonene når du oppbevarer grillen:

1. Rengjør grillen helt i henhold til instruksjonene i brukerhåndboken.
2. Sørg for at alle grillristene er smurt.
3. Hvis grillen oppbevares utendørs, fjern ristene og -platene fra grillen. Disse delene må oppbevares på et tørt og varmt sted. Det anbefales også at du pakker disse delene inn i aviser eller lignende slik at overflatene ikke får riper.
4. Hvis grillen oppbevares utendørs, anbefales det at du kjøper et høykvalitets som dekker hele grillen. Sørg for at luft kan sirkulere selv under trekket.

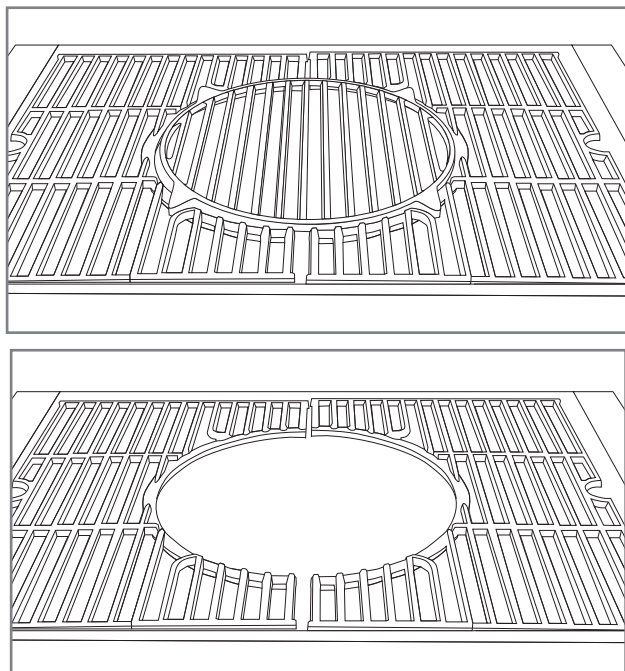
**i** **Ikke oppbevar grillen på et sted der snø som faller fra taket kan treffe den. Garantien dekker ikke skader forårsaket av snø og is.**

# Multigrill og tilbehør

## Multigrill-grillsystem av støpejern

Noen modeller er utstyrt med Multigrill-grillsystem som standard, hvor det finnes diverse grilltilbehør.

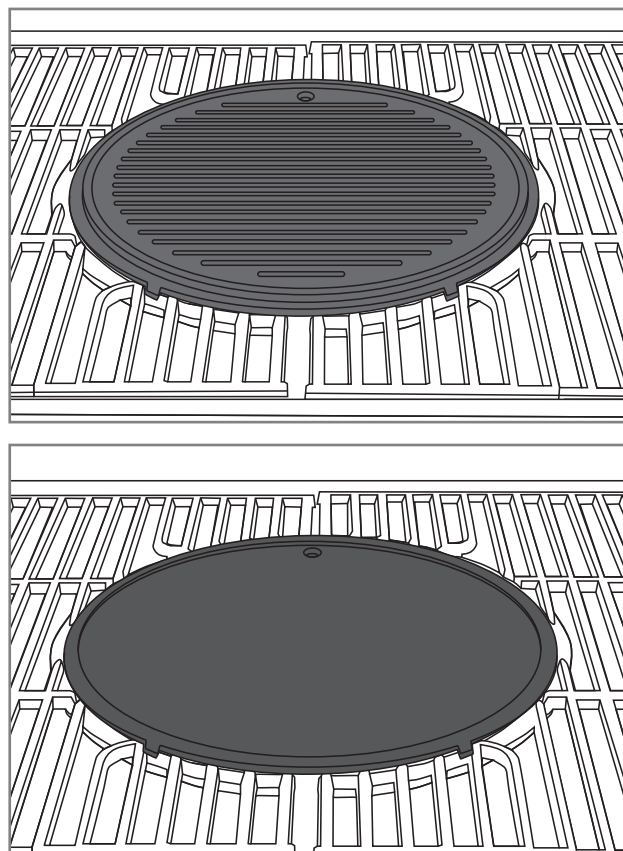
For modeller uten Multigrill-grillsystem kan noe av tilbehøret brukes direkte på grillristen.



## Grillplate i støpejern

Produktkoder: 603434

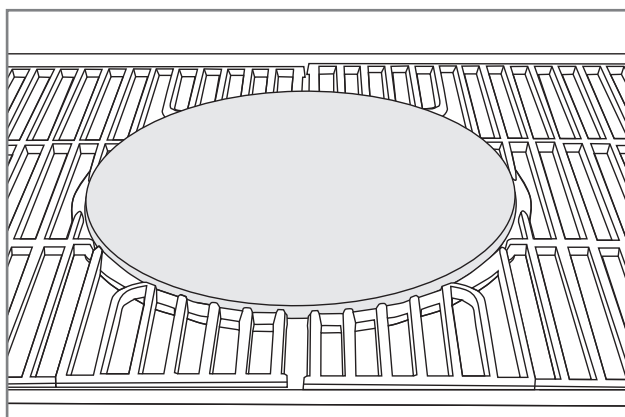
Den ene siden av grillplaten har riller, den andre siden er flat. Ø 30 cm.



## Baking / pizzastein

Produktkode: 316871

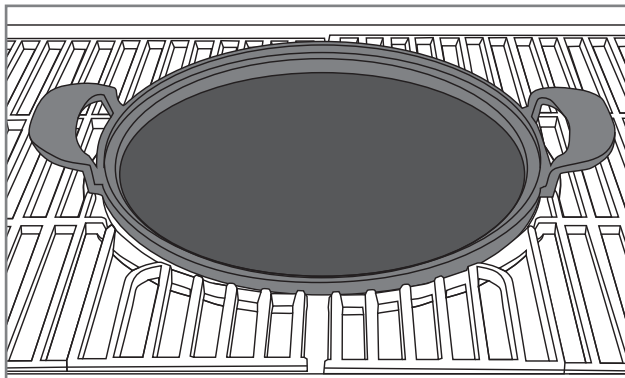
Mustang-bakesteinen Ø 30,5 cm er laget av slitesterk kordieritt. Du kan bruke bakesteinen til å bake brød, pai og pizza.



## Grunn støpejernspanne

Produktkode: 603435

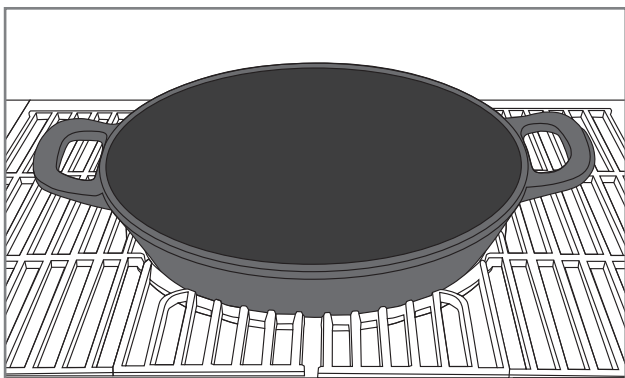
Den grunne støpejernspanna gjør det enkelt å tilberede alle typer mat. Praktiske håndtak gjør det enkelt å løfte pannen ut av grillen. Ø 30 cm.



## Wok i støpejern

Produktkoder: 603438

Mustang-wokpanne i støpejern er ideell for steking av en rekke grønnsaker og andre retter på grillen. Håndtak for enkel løfting. Ø 30 cm.





# Feilsøking

Det kan oppstå funksjonsfeil i alle griller. Disse feilene er vanligvis enkle å fikse. Hvis du ikke finner en løsning på problemet ditt i tabellen nedenfor, kontakt selgeren.

Feil	Mulig årsak	Løsning
Luftventilene fungerer ikke som de skal.	Skrueene på luftventilene er for stramme.	Løsne skruene på luftventilene.
	Ventilene sitter fast på grunn av smuss og fett.	Løsne skruene på ventilene og rengjør dem.
Grillen tennes ikke.	Luftventilene er stengt.	Åpne luftventilene.
	Kullet eller brikettene er blitt våte.	Bytt ut trekullet eller brikettene.
Grillen varmes ikke opp tilstrekkelig.	Brannen får ikke nok oksygen.	Åpne de nedre luftventilene helt.
	Det er ikke nok kull.	Tilsett kull og åpne de nedre luftventilene.
Grillen overopphetes.	Grillen får for mye oksygen.	Steng luftventilene og vent til glørne dør ut. Når temperaturen har gått ned, kan du åpne luftventilene litt. Tenn om nødvendig grillen igjen.

# Garanti

Mustang-kullgriller har en produksjons- og materialgaranti på minimum 12 måneder. Imidlertid varierer vilkårene for garantien fra modell til modell. Du kan finne de oppdaterte garantivilkårene og periodene på nettsiden vår

**[mustang-grill.com](http://mustang-grill.com)**

For å ta hånd om eventuelle garantisaker, trenger du en kjøpskvittering som angir kjøpssted og -dato.



DA

**Samlings- og betjeningsinstruktioner**

---

# Velkommen til produktuniverset omkring Mustang-griller

**Vi glæder os over, at du har valgt en Mustang-grill. Mustang vil gerne ledsage dig, når du griller, og sørge for at grilloplevelsen bliver lige som god, som du ønsker dig det. Mustang blev skabt på baggrund af et ønske om at lave mad sammen med familie og venner på rolig og afslappende vis, og det er også den idé, vi gerne vil dele med dig.**

Mustang-griller og -tilbehør er designet og fremstillet med omhu, og vi er stolte over at repræsentere dem. Vores omfattende erfaring og ekspertise kommer til udtryk i alle vores produkter. De omfatter væsentlige funktioner og egenskaber. Vi er sikre på, at du vil komme til at nyde glæde af denne grill i lang tid, hvis du husker at vedligeholde og rengøre den i henhold til anvisningerne i denne vejledning.

## Det største udvalg af grillprodukter

Mustang er et brand, der tilhører den finske virksomhed Tammer Brands Oy. Mustang byder på alle apparater, forbrugsvarer, tilbehør og reservedele, som bruges til at grille, samt et bredt udvalg af produkter til røgning af madvarer og til tilberedning af pizzaer. Vi kender grillkulturen ind og ud, så vi kan sørge for, at du har adgang til de mest velegnede og moderne produkter. Mustang er det eneste brand, du har brug for til en vellykket grilloplevelse.

## Eftersalgsservice

Tammer Brands Oy,  
tlf. +358 3 252 1111  
Viinikankatu 36,  
33800 Tampere, Finland

**TAMMER**  
BRANDS | EST 1954

[mustang-grill.com](http://mustang-grill.com)



**Læs manualen før brug af grillen, og gem den til senere brug.**

Følg os på sociale medier



**mustanggrill**

# Indholdsfortegnelse

<b>Samlingsvejledning</b> .....	3
Inden du begynder at samle produktet .....	6
<b>Sikkerhedsinstruktioner og advarsler</b> .....	110
Placering af grillen .....	110
Generelle sikkerhedsanvisninger .....	111
<b>Brug af kulgrillen</b> .....	112
Foranstaltninger, der skal træffes inden den første ibrugtagning af produktet .....	112
Foranstaltninger, der skal træffes før hver brug .....	112
Optænding af kulgrillen med en tændstik eller en lang lighter .....	112
Optænding af kulgrillen med en grillstarter .....	113
Grilning ved høje temperaturer .....	114
Grilning ved lave temperaturer .....	114
Indirekte grilning .....	114
Bagning og stegning .....	115
Generelle oplysninger om regulering af temperaturen .....	115
Hævning/sænkning af kulbakken .....	116
Tilsætning af kul eller briketter, mens du griller .....	116
Kulmængde .....	116
Kulmængde til indirekte grilning .....	117
Slukning af grillen .....	117
Fedtbrand .....	117
Opblusning .....	117

<b>Nyttige tips</b> .....	118
Generelle grillvejledning .....	118
Marinader .....	118
Forebyggelse af at maden sætter sig fast på grillen .....	118
Oversigt over grilltemperaturer .....	119
<b>Rengøring og opbevaring af grillen</b> .....	121
Grillrister og grillplader .....	121
Fjernelse af aske .....	121
Grillens yderside og ståledele .....	122
Vedligeholdelse .....	122
Opbevaring .....	122
<b>Multigrill og tilbehør</b> .....	123
Grillsystem til multigrill i støbejern .....	123
Bage- / pizzasten .....	123
Grillplade i støbejern .....	123
Flad støbejernspande .....	124
Støbejernswok .....	124
<b>Fejlfinding</b> .....	125
<b>Garanti</b> .....	125

## Sikkerhedsinstruktioner og advarsler

Når du begynder at bruge denne kulgrill, er du forpligtet til at læse advarslerne og sikkerhedsanvisningerne i denne vejledning omhyggeligt igennem og følge den nøje, inden du tager grillen i brug. Grillen er fremstillet i henhold til standarden EN1860-1.

Symbolforklaring:



FARE!



BEMÆRK!

### Placering af grillen



Denne grill er kun beregnet til udendørs brug. Den må aldrig bruges indendørs eller i lukkede rum. Vær opmærksom på oplysningerne herunder.

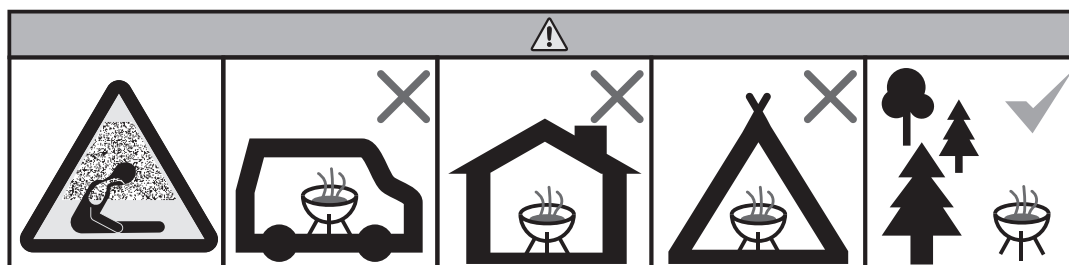
- Brug kun grillen udendørs.
- Brug ikke grillen ved siden af en væg, i en garage, en campingvogn eller en trailer eller i en anden form for lukket rum, og brug den ikke indendørs.
- Sørg for, at grillen anbringes mindst to meter væk fra brændbare materialer.
- Grillen må ikke anbringes under en parasol eller en markise på grund af risikoen for opblusning.
- Sørg for, at der er et brandtæppe/en ildslukker og en førstehjælpskasse i nærheden af grillen.
- Sørg for, at grillen anbringes på et plant og varmebestandigt underlag, idet varme gløder kan flyve eller falde ud af grillen under normal brug.
- Grillen må ikke anbringes på eller i nærheden af følsomme overflader, idet fedt og marinader kan blive spildt eller sprøjte ud af grillen under normal brug.
- Grillen må ikke bruges som ildsted.



Hvis disse anvisninger ikke overholdes, når grillen opstilles, resulterer det i en brandfare.



Hvis grillen bruges indendørs eller i et lukket rum, er der risiko for kulilteforgiftning.



## Generelle sikkerhedsanvisninger



**Det kan være farligt at bruge kulgrillen til andet end dens tilsigtede formål. Det er strengt forbudt at ændre grillens konstruktion på nogen som helst måde. Vær opmærksom på oplysningerne herunder.**

- Følg samleanvisningerne omhyggeligt, og sørg for at montere alle dele, når du samler produktet. Hvis du ikke følger anvisningerne, eller der er dele, som du ikke monterer, kan der opstå problemer, når du bruger produktet. Brugeren bærer ansvaret for korrekt samling af grillen.
- Brug udelukkende optændingsmaterialer, som er i overensstemmelse med standarden EN1860-3. Brug ikke sprit, benzin, alkohol eller lignende kemikalier til at tænde op i grillen.
- Vær forsigtig, når du kommer tændvæske på kullene. Lad ikke tændvæsken løbe ned på jorden under kullet. Der kan gå ild i væsken under den varme grill.
- Kom ikke tændvæske på brændende kul eller varme gløder.
- Grillen bliver varm, når den er i brug. Vær derfor ekstra forsigtig, hvis der er børn, ældre eller kæledyr i nærheden af grillen.
- Grillen virker bedst med kul af hårdt træ eller briketter.
- Brug ikke brænde i grillen.
- Sørg for, at der ikke er nogen brændbare materialer eller væsker i nærheden af grillen.

- Vær opmærksom på røgen fra grillen. Brug ikke grillen i nærheden af åbne vinduer.
- Lad ikke grillen være uden opsyn, når den er i brug.
- Bær varmebestandige handsker, når du bruger grillen.
- Brug ikke vand til at slukke grillen: Vandet kan beskadige de keramiske overflader. Sluk grillen ved at kvæle gløderne.
- Flyt ikke grillen, når den er i brug, eller når den er varm efter at have været i brug.
- Kontrollér altid grillen for beskadigelser eller slitage inden hver brug. Udskift om nødvendigt eventuelle beskadigede dele.
- Grillen må ikke bruges, hvis den ikke fungerer som normalt.
- Lad ikke børn bruge grillen.
- Alkohol, receptpligtig medicin og alle former for rusmidler kan påvirke brugerens evne til at bruge grillen på sikker og korrekt vis.



**Når du åbner grillens låg, skal du først løfte låget en smule for at lade luften strømme ind til gløderne langsomt og sikkert. På den måde kan du undgå kraftig opblusning og beskadigelser.**

# Brug af kulgrillen

## Foranstaltninger, der skal træffes inden den første ibrugtagning af produktet

Når produktet bruges første gang, er det vigtigste at sikre, at det fungerer efter hensigten, samt at kontrollere om der forekommer nogen løsning af staldelene på grund af varmeudvidelse.

1. Kontrollér, at grillen er samlet i henhold til anvisningerne.
2. Tænd op i grillen i henhold til anvisningerne.
3. Lad kullet brænde ud, og vent, til grillen køler helt ned.
4. Kontrollér alle skruer, og stram dem efter behov.
5. Derefter er grillen klar til brug.

**i** Grillen må ikke bruges, hvis den er beskadiget, eller der mangler dele af den.

**i** Kom ikke for meget kul i grillen, da den kan blive beskadiget af for kraftig opvarmning.

## Foranstaltninger, der skal træffes før hver brug

Af hensyn til sikker og korrekt brug af grillen skal du udføre nogle kontroller før hver brug. Gennemgå nedenstående tjekliste omhyggeligt:

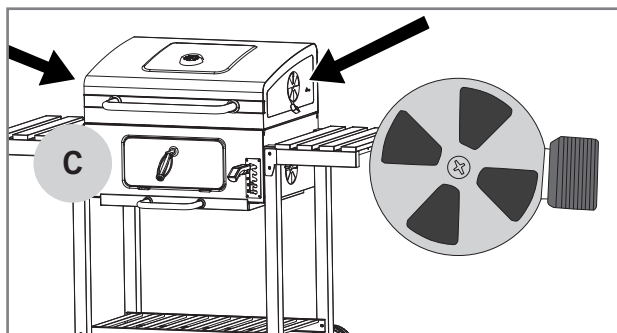
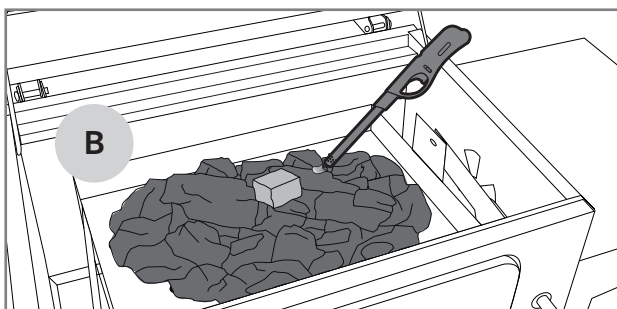
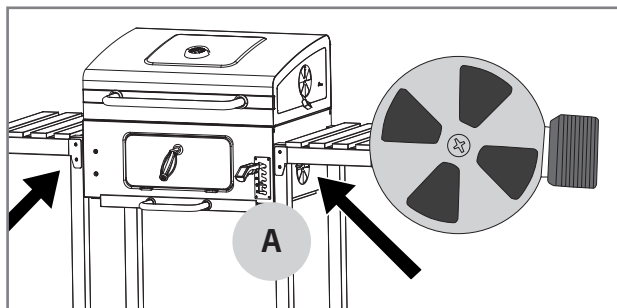
1. Kontrollér, at grillen er anbragt i henhold til anvisningerne.
2. Kontrollér, at der ikke er nogen brændbare materialer eller væsker i nærheden af grillen.
3. Fjern eventuel aske fra brændkammeret.
4. Rengør grillristen eller grillpladen, og smør den med madlavningsolie.
5. Tænd op i grillen i henhold til anvisningerne.

**!** Grillen må ikke bruges, hvis den er beskadiget, eller der mangler dele af den.

## Optænding af kulgrillen med en tændstik eller en lang lighter

Brug kun kul af hårdt træ eller briketter i kulgrillen. Brug udelukkende optændingsmaterialer, som er i overensstemmelse med standarden EN1860-3 til optænding af grillen.

1. Åbn grillens låg, og tag risten ud.
2. Kom ca. tre håndfulde kul på bakken.
3. Anbring også en Mustang-grilltænder imellem kullet.
4. Åbn de underste spjæld helt (A).
5. Tænd grilltænderen med en lang tændstik eller en lang lighter (B).
6. Når der er ild i grilltænderne, skal du lukke låget og åbn de øvre luftventiler helt (C).
7. Når gløderne eller briketterne er lysegrå, er de klar til, at du kan tilberede maden.
8. Juster luftspjældene til det ønskede punkt.
9. Derefter er grillen klar til brug.





**i** Brug ikke brænde eller andet træ i grillen. Brug af den forkerte type brændsel kan beskadige grillen. Skader, der skyldes uegnet brændsel, er ikke dækket af garantien.

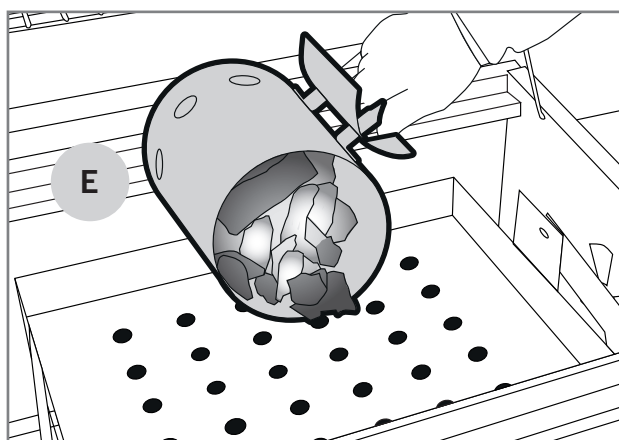
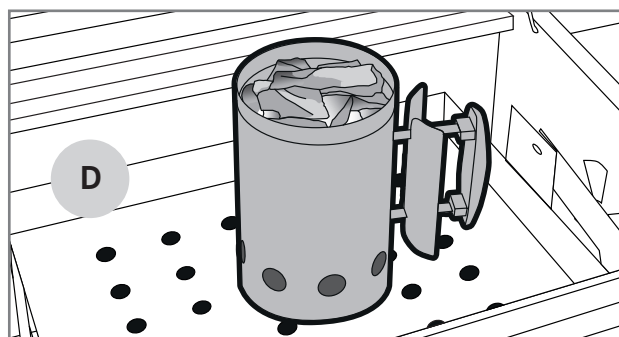
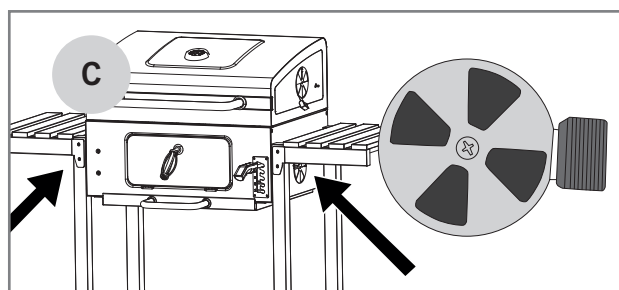
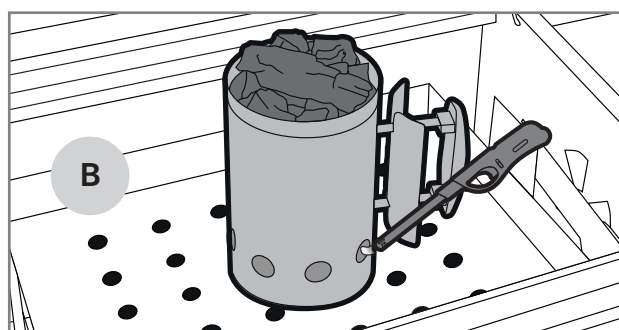
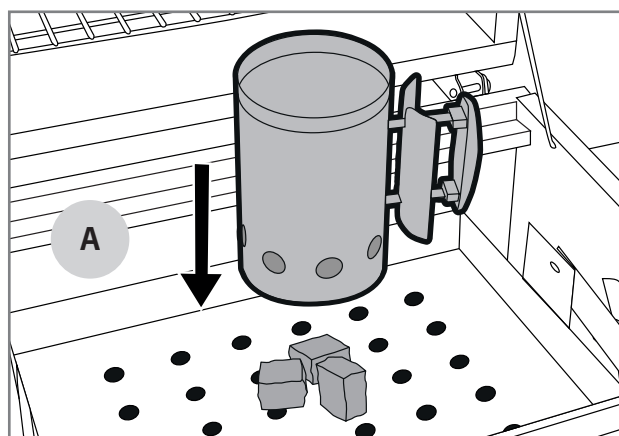
**i** Brug ikke benzin, alkohol eller lignende kemikalier til at tænde op i grillen.

**i** Vær forsigtig, når du kommer tændvæske på kullene. Lad ikke tændvæsken løbe ned på jorden under kullet. Garantien dækker ikke skader på grillen eller dens omgivelser, som skyldes spildt tændvæske.

## Optænding af kulgrillen med en grillstarter

Hvis du gerne vil hurtigt i gang med at grille, kan du tænde grille op med en grillstarter. Mustang-grillstarteren sælges særskilt.

1. Åbn grillens låg, og tag risten ud.
2. Anbring et par Mustang-grilltændere på kulbakken (A).
3. Anbring grillstarteren lige oven på grilltænderne.
4. Fyld grillstarteren med Mustang-kul eller -briketter.
5. Tænd grilltænderne gennem grillstarterens lufthuller ved brug af en lang tændstik eller en lang lighter (B).
6. Åbn de underste spjæld helt (C).
7. Kullet/briketterne er klar til brug, når du ser flammer foroven i grillstarteren (D).
8. Anbring forsigtigt det brændende kul/de brændende briketter på kulbakken (E). Glem ikke at bære handsker!
9. Luk låget, og juster luftspjældene til det ønskede punkt.
10. Derefter er grillen klar til brug.



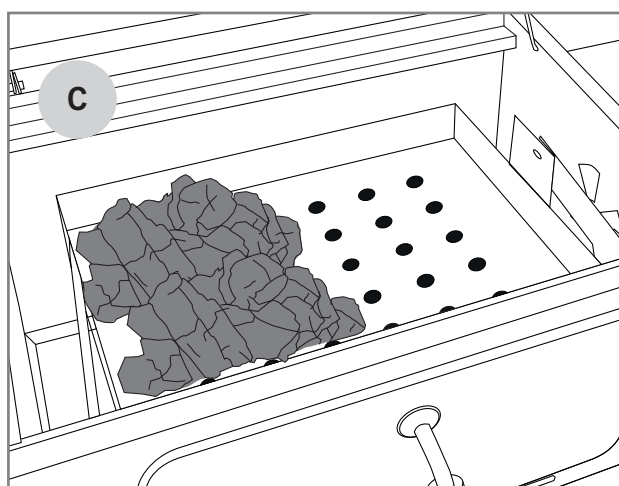
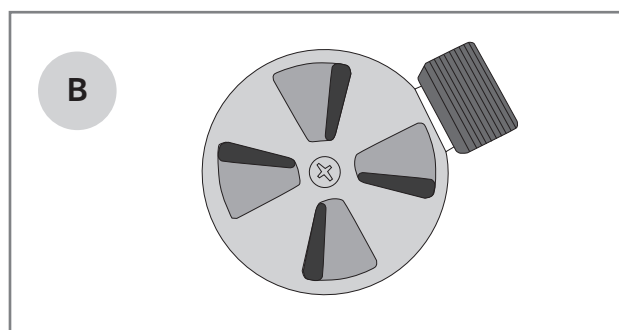
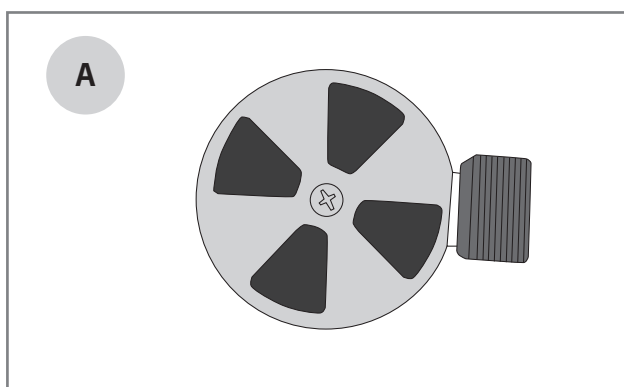
## Grilning ved høje temperaturer

Madvarer, der tilberedes hurtigt, grilles normalt ved højere temperaturer på 220–300 °C. På den måde bliver de mere sprøde udenpå og forbliver saftige inden i.

1. Tænd op i grillen i henhold til anvisningerne.
2. Hold øje med temperaturen på termometeret i låget.
3. Når den ønskede temperatur er nået, skal du lade alle luftspjældene være helt åbne (A).
4. Derefter er grillen klar til brug.



**Åbn forsigtigt grillens låg for at lade luften strømme ind til gløderne langsomt og sikkert. På den måde kan du undgå kraftig opblusning og beskadigelser.**



## Indirekte grilning

Indirekte grilning giver mulighed for at tilberede retter, som kræver mere tid, såsom en hel steg, en hel kylling og fisk. Indirekte grilning bruges også til at tilberede kødstykker, der er blevet svitset med direkte varme. Til indirekte grilning anbringes kullet kun i den ene side af kulbakken (C).

## Grilning ved lave temperaturer

Længere tids grillstegning ved lavere temperaturer anbefales især til større stykker kød. På den måde bliver kødet mørt og ikke så hurtigt tørt. En lavere grilltemperatur er også velegnet til mere følsomme ingredienser. Vejledning i grilning ved lave temperaturer:

1. Tænd op i grillen i henhold til anvisningerne.
2. Hold øje med temperaturen på termometeret i låget.
3. Når den ønskede temperatur er nået, skal du lukke det øverste og det underste luftspjæld så meget som muligt (B).
4. Du kan begrænse den direkte varme ved at flytte kullet til den ene side af grillen (C).
5. Derefter er grillen klar til brug.

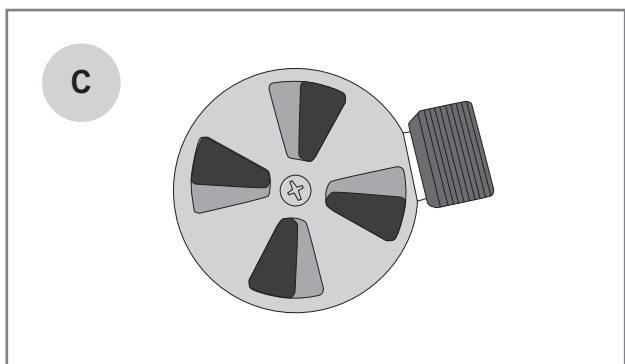
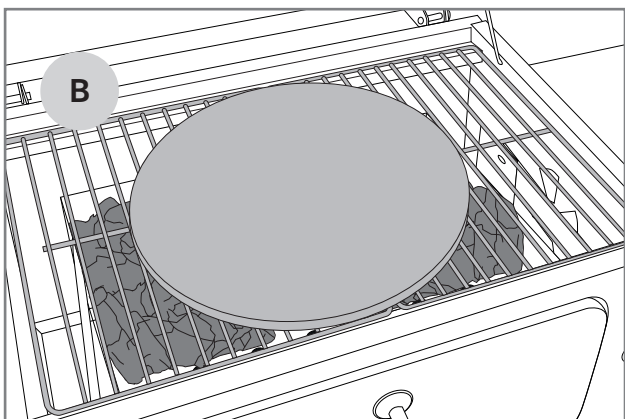
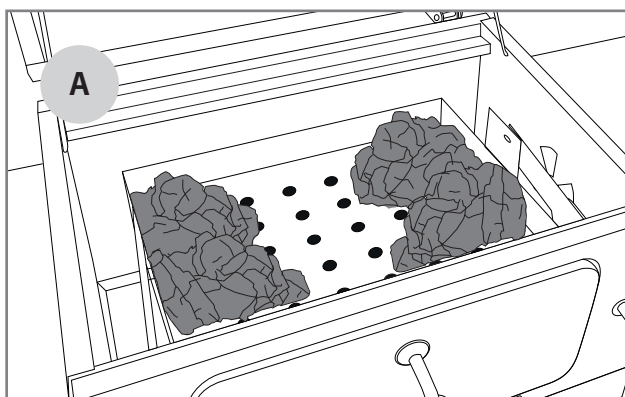


**Bær varmebestandige handsker, når du justerer luftspjældene.**

## Bagning og stegning

Kulgrillen er også velegnet til stegning ved brug af en særskilt bagesten. Mustang-bagestenene sælges særskilt.

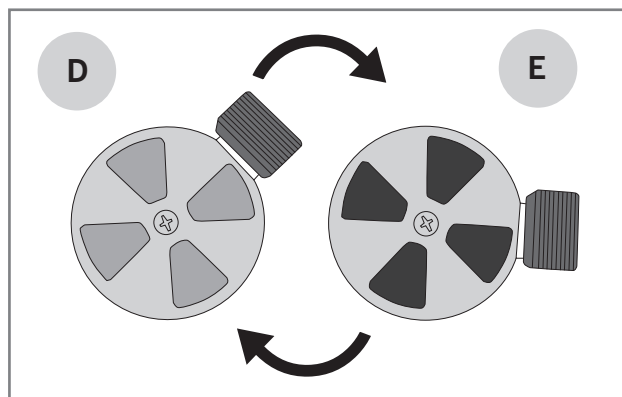
1. Anbring kullet i begge sider af kulbakken (A).
2. Tænd op i grillen i henhold til anvisningerne.
3. Når grilltænderne er brændt ud, skal du åbne låget og anbringe bagestenen korrekt (B).
4. Luk låget, lad luftspjældene være helt åbne, og lad gløderne blusse godt op.
5. Hold øje med temperaturen på termometeret i låget.
6. Når den ønskede temperatur er nået, skal du indstille alle luftspjæld i midten (C).
7. Derefter er grillen klar til brug.



## Generelle oplysninger om regulering af temperaturen

Du kan regulere temperaturen i kulgrillen ved at ændre på luftgennemstrømningen. Temperaturen påvirkes også af kvantiteten og kvaliteten af kullet. Herunder er der en oversigt over vigtige punkter med henblik på varmeregulering:

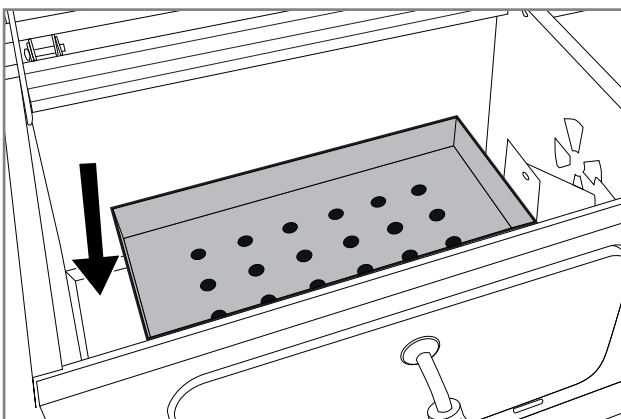
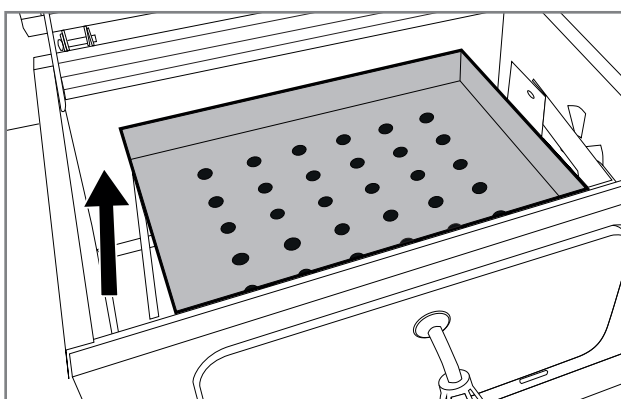
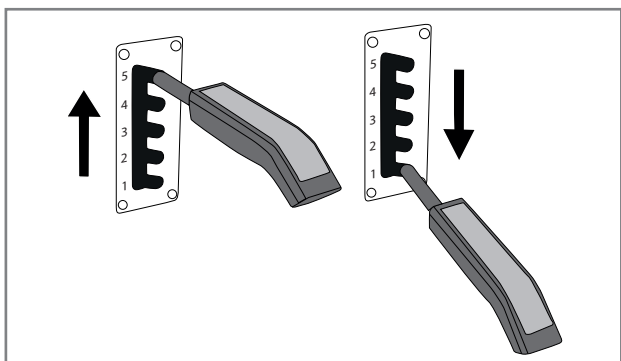
1. De underste luftspjæld fører luft ind i grillen, mens de øvre luftspjæld fjerner den.
2. De underste luftspjæld muliggør omtrentlig justering af temperaturen.
3. De øvre luftspjæld bruges til at finjustere temperaturen.
4. Hvis du vil øge temperaturen, har grillen brug for mere luft (D-E).
5. Hvis du vil sænke temperaturen, skal du begrænse grillens lufttilførsel (E-D).



## Hævning/sænkning af kulbakken

Madens tilberedningstemperatur kan også justeres ved at hæve og sænke kulbakken. Når den er hævet, tilberedes maden ved en mere præcis og højere temperatur, og når den er sænket, fordeles varmen over et større område. Temperaturen påvirkes også af kvantiteten og kvaliteten af kullet samt justeringen af luftspjældene.

Kulbakken hæves og sænkes til den rette højde med et justeringshåndtag i seks trin.



## Tilsætning af kul eller briketter, mens du griller

Hvis du griller mad i længere tid, kan det blive nødvendigt at komme mere kul eller flere briketter i grillen. Det kan nemt gøres ved at tage en af grillristerne ud. Følg trinnene herunder for at komme mere kul eller flere briketter i grillen, mens du griller:

1. Åbn låget.
2. Tag en af grillristerne ud, og stil den til side.
3. Tilsæt kul eller briketter ved brug af en lang grilltang, og bær handsker.
4. Sæt grillristen i grillen igen.
5. Luk låget.

**i** Temperaturen inden i grillen ændrer sig, når låget åbnes. Det kan have indflydelse på tilberedningstiden.

## Kulmængde

Vælg mængden af kul i henhold til den mad, du griller, og hvordan du vil grille den. Hvis du griller maden hurtigt ved en høj temperatur, kan du bruge tabellen herunder:

Grillens diameter	Kulmængde
< 47 cm	0,3 – 0,5 kg
47 cm	0,6 – 0,8 kg
57 cm	1,0 – 1,2 kg

## Kulmængde til indirekte grilning

Indirekte grilning ved lave temperaturer kræver tilsætning af kul, mens du griller. Du kan bruge den vejledende oversigt herunder til at anslå den nødvendige kulmængde:

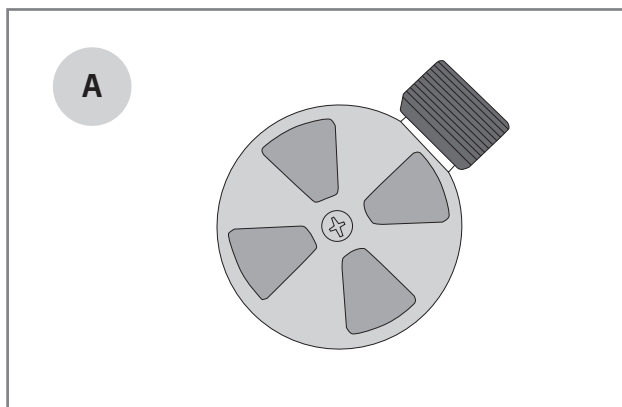
Grillens diameter	Kulmængde	Ekstra kul, der skal tilsættes pr. time
< 47 cm	0,2 – 0,3 kg	0,3 kg
47 cm	0,3 – 0,4 kg	0,3 kg
57 cm	0,4 – 0,5 kg	0,4 kg

## Slukning af grillen

Når du er færdig med at bruge grillen, skal du slukke den ved at følge disse trin:

1. Luk låget.
2. Luk alle luftspjæld helt (A).
3. Lad låget og luftspjældene være lukkede indtil dagen efter for at sikre, at gløderne er gået helt ud, og at grillen er kølet af.

**i** Brug ikke vand til at slukke kullet. Grillen kan blive beskadiget, hvis du kommer vand på det varme kul.



## Fedtbrand

Fjern altid overskydende fedt eller marinade fra grillens bund og vægge, fra kulristen og grillristen.

Hvis overskydende fedt hober sig op i grillen, kan der gå ild i fedtet, hvilket kan forårsage en fedtbrand. Branden kan beskadige grillen og dens omgivelser og være farlig.

Vær opmærksom på brandfaren, især når du griller meget kød med et højt fedtindhold, hvor fedtet fra kødet hober sig op i bunden af grillen.

## Opblusning

Det er helt normalt, at ilden nogen gange blusser op i en kulgrill. Det giver også maden mere smag. Hvis ilden blusser op hyppigt, stiger temperaturen inden i grillen, og der drypper mere fedt ned fra den mad, du er ved at grille. Og det øger risikoen for en fedtbrand. Derfor skal opblusning forebygges ved at træffe afhjælpende foranstaltninger, inden grillen tages i brug.

1. Fjern overskydende fedt fra kødet.
2. Forsøg at grille kødet ved den rette temperatur.
3. Sørg for, at der ikke er overskydende fedt eller marinade i bunden af grillen eller på grillens vægge.
4. Lad låget være lukket så meget som muligt.

**i** Når du griller med låget lukket, er temperaturen i grillen mere jævn og nemmere at kontrollere.

# Nyttige tips

## Generelle grillvejledning

Grilning er nemt og afslappende, når du husker på et par regler og følger denne generelle grillvejledning.

- **Vent, indtil der er tændt godt op i kullene eller briketterne.** Når de er lysegrå, er de klar til, at du kan tilberede maden.
- **Grillen skal varmes ordentligt op.** Den keramiske indkapsling er god til at holde på varmen, og det hjælper med temperaturreguleringen. Når grillristene og grillpladerne er tilstrækkeligt varme, sidder maden mindre fast på dem og bliver godt grillet udenpå.
- **Grill ikke på snavset udstyr.** Rester af marinade og madrester sætter sig nemt fast på grillristen og maden. Rengør grillristene efter hver brug. Så er grillen klar, næste gang du vil grille.
- **Hav alting lige ved hånden.** Det er nemmere at kontrollere de rette tilberedningstider og temperaturer, når du har alle redskaber, krydderier, marinader og madvarer tæt på grillen.
- **Grill med låget lukket så meget som muligt.** Når du griller med låget lukket, falder temperaturen inden i grillen ikke unødvendigt, og maden bliver hurtigere færdig.
- **Vend kødet så få gange som muligt;** én gang er nok. Når maden tilberedes langsomt på grillristen/grillpladen, bliver den lækker udenpå.
- **Brug et termometer!** Hvis du griller maden for længe, bliver den tør og mister sin smag. Du kan opnå de bedste resultater, hvis du bruger et stegetermometer.
- **Lad kødet hvile i 10–20 minutter,** inden du skærer/serverer det. Mens kødet hviler, bliver temperaturen mere jævn, og saften løber ikke for meget ud, når du skærer kødet.

## Marinader

Det er meget almindeligt at bruge marinader, når man griller. De bruges til at krydre maden efter smag og behag. Men marinader får også maden til at sætte sig fast på grillristene. Og olieholdige marinader kan også dryppe ned i brændkammeret og få ilden til at blusse op eller forårsage en fedtbrand. Med disse tips kan du mindske problemet med marinader:

1. Forsøg at tørre ekstra marinade af maden, inden du lægger den på grillen.
2. Brug altid en madpensel, hvis du kommer marinade på, mens du griller. Hæld ikke marinaden på maden ud af en flaske.
3. Vælg dry rubs, når du griller.

**i** Brug ikke rester af marinade fra klargøringen af råt kød til at krydre tilberedt mad. I så fald bliver bakterierne fra det rå kød overført til den tilberedte mad.

## Forebyggelse af at maden sætter sig fast på grillen

At maden sætter sig fast på grillristen eller grillpladen er nogen alle, der griller, har været ude for. Her er et par tips til, hvordan du kan undgå at maden sætter sig for meget fast:

1. Forvarm grillen, så den er tilstrækkelig varm.
2. Rengør grillristene og grillpladerne, inden du lægger maden på grillen.
3. Smør olie på grilloverfladen og maden, inden du lægger maden på grillen.
4. Prøv dette tip: Halvér et løg, og gnid grillristen med løget, inden du går i gang med at grille. Maden sætter sig ikke fast på grillen.
5. Vend ikke maden for hurtigt på grillen, lad først ydersiden blive grillet godt først.

## Oversigt over grilltemperaturer

Herunder er der en oversigt over vejledende tilberedningstider og temperaturer for de mest almindelige ingredienser. Faktorer såsom vind, regn, udetemperaturer og hvor ren grillen er, kan have indflydelse på tilberedningstiden.



### Oksekød

Ingrediens	Tykkelse/vægt	Tilberedningsmetode	Tilberedningstid
Mørbradbøf	ca. 2 cm	Direkte varme ved høj temperatur	2,5 – 3,5 min. på hver side
Mørbradbøf	ca. 5 cm	Direkte varme ved høj temperatur Indirekte varme ved mellemhøj temperatur	2,5 min. på hver side 8 – 10 min.
Hel oksemørbrad	ca. 1,5 kg	Direkte varme ved høj temperatur Indirekte varme ved mellemhøj temperatur	3 min. på hver side 20 – 30 min.
Steg	ca. 1,5 kg	Direkte varme ved mellemhøj temperatur Indirekte varme ved mellemhøj temperatur	3 – 4 min. på hver side 30 – 40 min.
Hamburger	ca. 2 cm	Direkte varme ved høj temperatur	2 – 3 min. på hver side
Temperatur i maden			
Rød – næsten rød		47 – 51 °C	
Medium		52 – 58 °C	
Næsten gennemstegt – gennemstegt		59 – 66 °C	



### Svinekød

Ingrediens	Tykkelse/vægt	Tilberedningsmetode	Tilberedningstid
Kotelet	ca. 2 cm	Direkte varme ved høj temperatur	2 – 2,5 min. på hver side
Mørbrad	ca. 600 g	Direkte varme ved høj temperatur Indirekte varme ved mellemhøj temperatur	3 min. på hver side 20 – 30 min.
Spareribs	ca. 1,5 kg	Indirekte varme ved mellemhøj temperatur Direkte varme ved høj temperatur	60 – 90 min. 4 min. på hver side
Svinekam	ca. 3 cm	Direkte varme ved mellemhøj temperatur Indirekte varme ved mellemhøj temperatur	2,5 – 3 min. på hver side 15 – 20 min.
Rå pølse	ca. 400 g	Direkte varme ved lav temperatur	2 – 3 min. på hver side
Temperatur i maden			
Gennemstegt mørbrad		65 – 70 °C	
Gennemstegt, andre ingredienser		65 – 70 °C	



## Kylling og kalkun

Ingrediens	Tykkelse/vægt	Tilberedningsmetode	Tilberedningstid
Filet	ca. 200 g	Direkte varme ved mellemhøj temperatur	5 – 6 min. på hver side
Lår	ca. 120 g	Direkte varme ved mellemhøj temperatur	5 – 6 min. på hver side
Vinge	ca. 500 g	Direkte varme ved mellemhøj temperatur Indirekte varme ved mellemhøj temperatur	6 – 10 min. 30 – 40 min.
Hel kylling	ca. 900 g	Indirekte varme ved mellemhøj temperatur	60 – 75 min.
Temperatur i maden			
Gennemstegt		75 °C	



## Fisk

Ingrediens	Tykkelse/vægt	Tilberedningsmetode	Tilberedningstid
Tynd filet	ca. 200 g	Direkte varme ved mellemhøj temperatur	2 – 3 min. på hver side
Tyk filet	ca. 120 g	Direkte varme ved mellemhøj temperatur	5 – 6 min. på hver side
Hel fisk	ca. 500 g	Indirekte varme ved mellemhøj temperatur	20 – 30 min.
Temperatur i maden			
Rosa		45 – 50 °C	
Gennemstegt		55 – 60 °C	



## Grøntsager

Ingrediens	Tykkelse/vægt	Tilberedningsmetode	Tilberedningstid
Kogt majs		Direkte varme ved mellemhøj temperatur	6 min.
Tomat		Direkte varme ved mellemhøj temperatur	6 min. på hver side
Asparges		Direkte varme ved mellemhøj temperatur	3 – 5 min.
Skiveskåret kartoffel		Direkte varme ved mellemhøj temperatur	5 – 8 min.
		Indirekte varme ved mellemhøj temperatur	10 – 15 min.
Rå kartoffel		Indirekte varme ved mellemhøj temperatur	45 – 60 min.



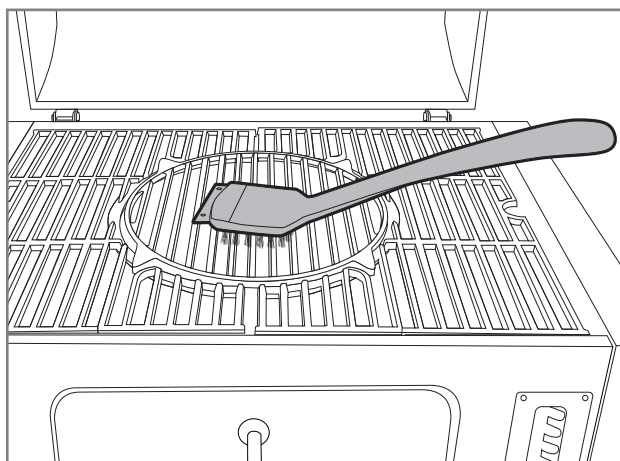
# Rengøring og opbevaring af grillen

Du kan forlænge grillens levetid betydeligt, hvis du rengør og vedligeholder den regelmæssigt. Hvis grillen ikke varmer tilstrækkeligt op, eller hvis maden sætter sig for meget fast på grillristerne, er grillen ikke blevet rengjort eller vedligeholdt i henhold til anvisningerne.

## Grillrister og grillplader

Rengør altid grillristerne og grillpladerne med det samme efter brug, mens grillen stadigvæk er varm. Brug en børste eller en skraber til at rengøre grillen.

Du kan også vaske grillristerne og grillpladerne med varmt vand og en mild sæbe. Glem ikke at tørre og smøre grillristerne og grillpladerne omhyggeligt, efter at du har vasket dem.



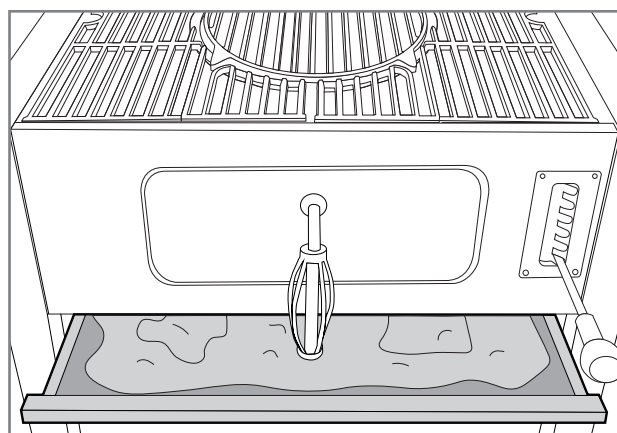
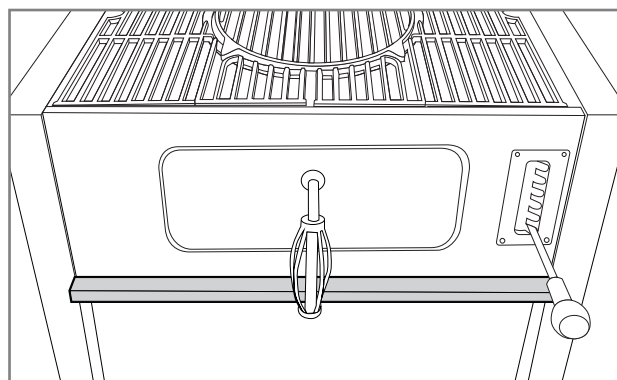
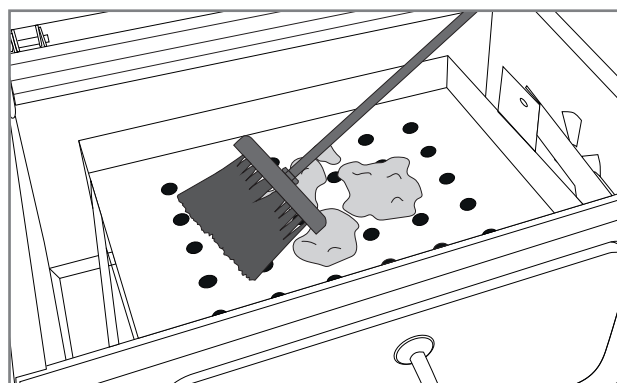
**i** En stålborste, der er beregnet til svejsning, må ikke bruges til rengøring af grillen. Garantien dækker ikke skader, der skyldes en sådan stålborste.

## Fjernelse af aske

Når du er sikker på, at gløderne er gået ud, og grillen er kølet af, kan du fjerne asken og rengøre kulbakken.

Hvis vejret er fugtigt, kan fin aske blive våd og få kulbakken til at ruste. Glem ikke at rengøre kulbakken med jævne mellemrum.

Rengør kulbakken med en børste, og fjern asken med en askebakke.



## Grillens yderside og stålede

Du skal også rengøre grillens yderside og andre stålede med jævne mellemrum. Du kan følge de generelle anvisninger herunder ved rengøring af disse komponenter.

1. Rengør grillens stålede med en klud med Mustang-grillrens eller et mildt opvaskemiddel.
2. Glem ikke at tørre de rengjorte dele omhyggeligt.
3. Brug ikke rengøringsmidler til rengøring af overflader med advarselmærkater, da det kan fjerne teksten eller andre mærkater.
4. Rengør grillens yderside mindst tre gange om året, så eventuelle pletter ikke brænder sig ind i overfladen.
5. Test altid, om et nyt rengøringsmiddel er kompatibelt med produktet, ved at bruge det et sted hvor det ikke ses.

**i** **Klor og salt kan få grillen til at ruste. Hvis grillen bruges i nærheden af havvand eller en svømmepøl, skal grillen rengøres ugentligt.**

## Vedligeholdelse

Vi anbefaler at behandle ståldelene med vedligeholdelsesolie til stål 2-3 gange om året. Denne form for olie kan købes i butikkerne. På den måde kan du forebygge, at der opstår pletter og rust på ståldelene.

Kontrollér først, at olien er kompatibel med produktet. Test den først på et sted, hvor det ikke ses.

Kontrollér med jævne mellemrum, at skruerne på vognen, luftspjældene og håndtagene er strammet godt. Store temperaturudsving kan få skruerne til at løsne sig.

Smør hængslens bevægelige stålede med universalolie 2 gange om året.

**i** **Brug ikke en elektrisk skruetrækker til at stramme skruerne, da det kan beskadige skruerne eller andre stålede. Skader på grund af for kraftig stramning af skruerne er ikke dækket af garantien.**

## Opbevaring

Følg disse anvisninger, hvis du holder op med at bruge grillen i længere tid, eller hvis du vil opbevare grillen f.eks. om vinteren. Korrekt opbevaring forlængere grillens levetid og sørger for, at den kan bruges i mange år. Følg disse anvisninger, når du vil stille grillen væk:

1. Rengør grillen over det hele i henhold til anvisningerne i vejledningen.
2. Sørg for at smøre alle grillrister.
3. Hvis grillen skal opbevares udendørs, skal du tage grillristerne og grillpladerne ud af grillen. Disse dele skal opbevares et tørt og varmt sted. Det anbefales også at pakke disse dele ind i avispapir eller lignende, så de ikke bliver ridsede på overfladen.
4. Hvis grillen skal opbevares udendørs, anbefales det at købe et betræk af høj kvalitet, som dækker den hele vejen ned. Sørg for, at luften også kan cirkulere under betrækket.

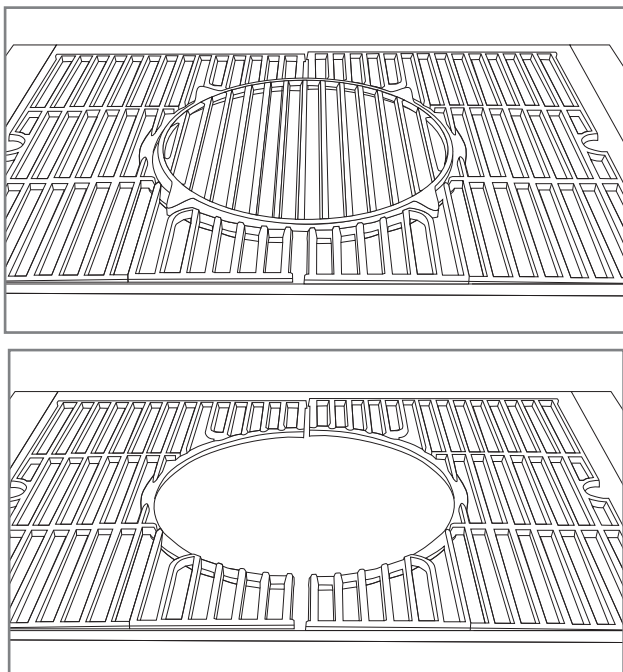
**i** **Opbevar ikke grillen et sted, hvor den kan blive ramt af sne, der falder ned fra taget. Garantien dækker ikke skader, der skyldes sne og is.**

# Multigrill og tilbehør

## Grillsystem til multigrill i støbejern

Nogle modeller er som standard udstyret med multigrillsystemet, som der fås forskelligt tilbehør til.

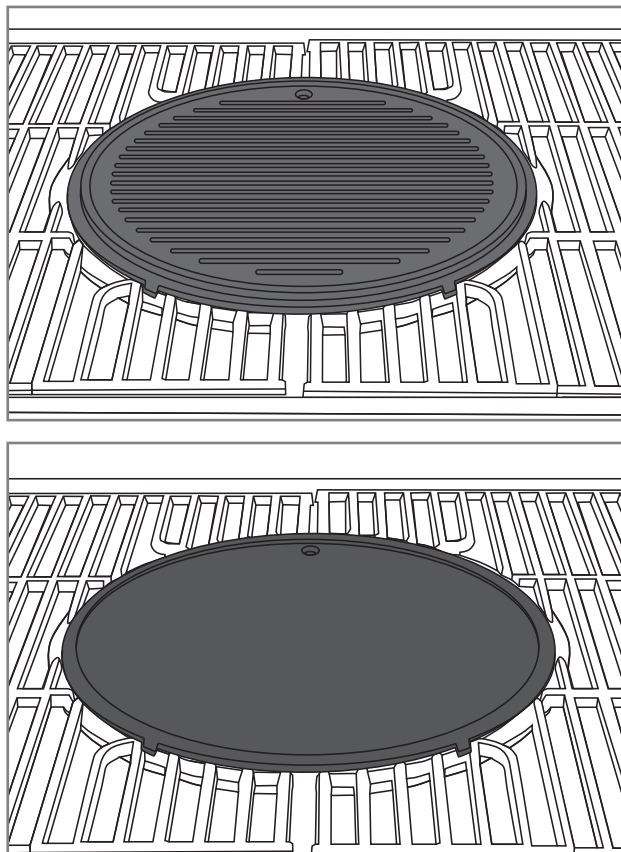
Noget af tilbehøret kan bruges direkte på grillristen på modeller uden multigrillsystemet.



## Grillplade i støbejern

Produktkoder: 603434

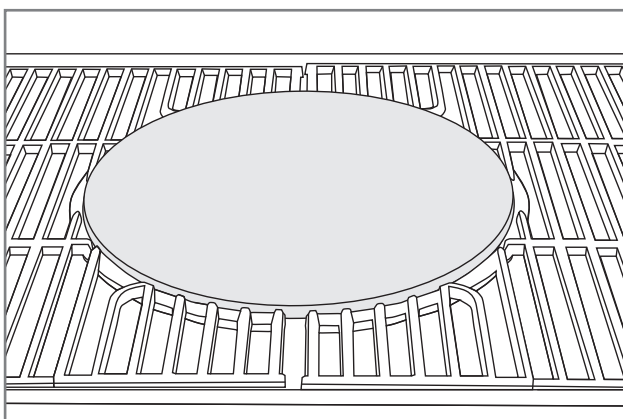
Den ene side af grillpladen har riller, den anden side er flad. Ø 30 cm.



## Bage- / pizzasten

Produktkode: 316871

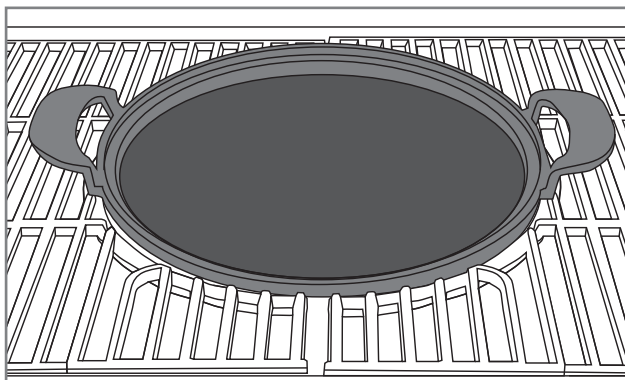
Mustang-bagestenen Ø 30,5 cm er fremstillet af slidstærkt cordierit. Bagestenen kan bruges til at bage brød, kage og pizza.



## Flad støbejernspande

Produktkode: 603435

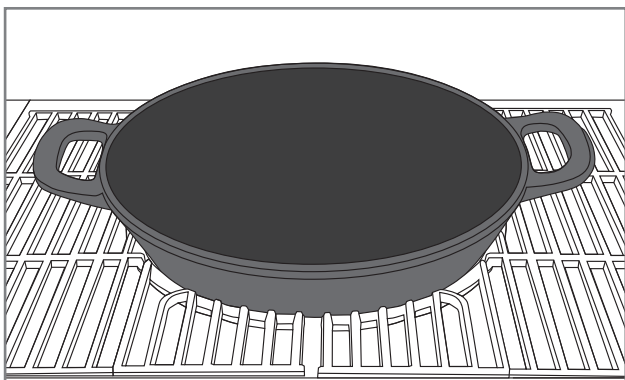
Det er nemt at tilberede alle typer madvarer med den flade støbejernspande. Det er nemt at løfte panden ud af grillen i de praktiske håndtag. Ø 30 cm.



## Støbejernswok

Produktkoder: 603438

Mustang-støbejernswokken er velegnet til tilberedning af mange forskellige slags grøntsager og andre retter på grillen. Nem at løfte i håndtagene. Ø 30 cm.



# Fejlfinding

Der kan opstå fejl på enhver grill. Disse fejl er normalt nemme at afhjælpe. Hvis du ikke kan finde en løsning på dit problem i oversigten herunder, bedes du kontakte din forhandler.

Problem	Mulig årsag	Løsning
Luftspjældene fungerer ikke, som de skal.	Skruerne på luftspjældene er for stramme.	Løsn skruerne på luftspjældene.
	Spjældene sidder fast på grund af fedt og snavs.	Løsn spjældets skruer, og rengør spjældene.
Grillen tænder ikke op.	Luftspjældene er lukkede.	Åbn luftspjældene.
	Kullene eller briketterne er blevet våde.	Udskift kullene eller briketterne.
Grillen varmer ikke tilstrækkeligt op.	Ilden får ikke tilstrækkelig ilt.	Åbn de underste luftspjæld helt.
	Der er ikke nok kul.	Tilsæt kul, og åbn de underste luftspjæld.
Grillen bliver for varm.	Grillen får for meget ilt.	Luk luftspjældene, og vent på, at gløderne går ud. Åbn luftspjældene en smule, når temperaturen er faldet. Tænd om nødvendigt op i grillen igen.

# Garanti

Mustang-kulgriller er som minimum dækket af en 12 måneders garanti for produktions- og materialefejl. Men garantibetingelserne er forskellige fra model til model. Du kan finde de gældende garantibetingelser og garantiperioder på vores hjemmeside.

**mustang-grill.com**

I tilfælde af eventuelle garantikrav skal du have en købskvittering, hvor sted og dato for købet er anført.



# MUSTANG

ET

Paigaldus- ja kasutusjuhend

---

# Tere tulemast Mustangi grillimaailma!

**Meil on hea meel, et valisite Mustangi grilli. Mustangi soov on olla teie grillipartner ja pakuda unelmate grillimiselamust. Mustang sai alguse soovist nautida kiirustamata, sundimatu toiduvalmistamist pere või sõprade seltsis ja sedasama kogemust soovime ka teile.**

Mustangi grillid ja tarvikud on hoolikalt disainitud ja viimistletud, et võiksime nende üle uhkust tunda. Meie pikk kogemus ja ametioskused paistavad igast tootest, millel on olemas kõik olulised funktsioonid ja omadused. Oleme veendunud, et meie grill rõõmustab teid kaua aega, kui vaid peate meeles seda siinse kasutusjuhendi järgi hooldada ja puhastada.

## Kõige laiem grillimistoodete valik

Mustang on Soome ettevõtte Tammer Brands Oy kaubamärk. Mustang pakub kõiki grillimiseks vajalikke seadmeid, varuosi ja tarvikuid ning laia valikut tooteid suitsutamiseks ja pitsa küpsetamiseks. Oleme grillimiskultuuri asjatundjad, nii et saame garanteerida – meilt leiate täpselt õiged ja tänapäevased vahendid. Mustang on seega ainus kaubamärk, mida edukaks grillimiseks vajate.

## Klienditeenindus

Tammer Brands Oy  
tel +358 3 252 1111  
Viinikankatu 36  
33800 Tampere, Soome

**TAMMER**  
BRANDS | EST 1954

[mustang-grill.com](http://mustang-grill.com)



**Lugege kasutusjuhend enne grilli kasutuselevõttu läbi ja hoidke edaspidiseks alles.**

Jälgige meid sotsiaalmeedias



**mustanggrill**

# Sisukord

<b>Koostjuhised</b> .....	3
Enne kokkupanekut .....	6
<b>Ohutusnõuded ja hoiatused</b> .....	130
Grilli paigutamine .....	130
Üldised ohutusnõuded .....	131
<b>Söegrilli kasutamine</b> .....	132
Enne esmast kasutuselevõttu .....	132
Enne igat kasutamist .....	132
Söegrilli süütamine tiku või pika tulesüütaja .....	132
Söegrilli süütamine süütekorstna abil .....	133
Grillimine kõrgel temperatuuril .....	134
Grillimine madalal temperatuuril .....	134
Kaudne grillimine .....	134
Küpsetamine .....	135
Üldteave temperatuuri reguleerimise kohta .....	135
Söepesa tõstmine ja langetamine .....	136
Grillsöe/briketi lisamine grillimise käigus .....	136
Grillsöe kogus .....	136
Grillsöe kogus kaudsel grillimisel .....	137
Grilli kustutamine .....	137
Rasva põlemine .....	137
Leegi sähvimine .....	137



<b>Kasulikke nõuandeid</b>	138
Üldteave grillimise kohta	138
Marinaadid	138
Toidu kinnikleepumise vältimine	138
Grillimisjuhend koos temperatuuridega	139
<b>Grilli puhastamine ja hoiulepanek</b>	141
Grillrestid ja -plaadid	141
Tuha eemaldamine	141
Grilli välispinnad ja terasosad	142
Hooldus	142
Säilitamine	142
<b>Multigrill ja lisavarustus</b>	143
Malmist Multigrilli grillimissüsteem	143
Küpsetus- ja pitsakivi	143
Malmplaat	143
Madal malmpann	144
Malmist wok-pann	144
<b>Tõrgete kõrvaldamine</b>	145
<b>Garantii</b>	145

## Ohutusnõuded ja hoiatused

Enne söegrilli kasutamist lugege kasutusjuhendis esitatud hoiatused ja ohutusnõuded tähelepanelikult läbi ning järgige neid. See grill on valmistatud standardi EN 1860-1 nõuete kohaselt.

Legend:  OHT!  NB!

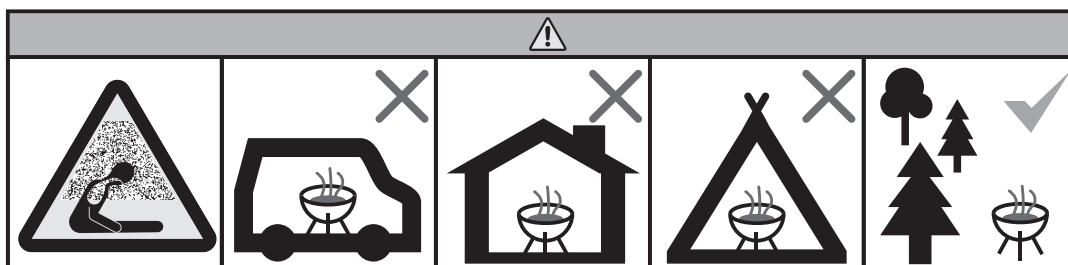
### Grilli paigutamine

 See grill on ette nähtud üksnes välioludesse ja seda ei tohi kunagi kasutada siseruumis ega suletud alal. Vt allpool.

- Kasutage grilli ainult õues.
- Ärge kasutage grilli seina ääres, garaažis, vagunega haagiselamus ega mujal suletud (sise) ruumis.
- Veenduge, et grill jääb süttivatest materjalidest vähemalt kahe meetri kaugusele.
- Grilli ei tohi leegisähvatuste ohu tõttu paigutada markiisi ega päevavarju alla.
- Veenduge, et grilli lähedal on kustutustekk/käsi-kustuti ja esmaabivahendid.
- Veenduge, et grill seisab horisontaalsel ja kuumakindal alusel, sest sellest võib tavapärase kasutamise käigus kuumi tukke välja lennata või kukkuda.
- Grilli ei tohi kasutada nõrga pinna peal ega läheduses, sest sellest võib tavapärase kasutamise käigus pritsida või valguda nii rasva kui ka marinaade.
- Ärge kasutage grilli tuleasemena.

 Paigutusjuhiste eiramine toob kaasa tulekahju ohu.

 Grilli kasutamine sise- või suletud ruumides toob kaasa vingumürgituse ohu.



## Üldised ohutusnõuded



**Söegrilli kasutamine muul kui ettenähtud otstarbel võib olla ohtlik ja isegi kõige väiksemad muudatused grilli ehituses on keelatud. Vt arvestatavaid asjaolusid allpool.**

- Järgige täpselt koostejuhendit ja veenduge, et ükski osa ei jää kinnitamata. Kui te ei järgi juhendit või mõni osa on jäänud kinnitamata, võib seadme kasutamisel probleeme tekkida. Kasutaja vastutab grilli nõuetekohase kokkupaneeku eest.
- Kasutage üksnes standardile EN 1860-3 vastavaid süütevahendeid. Ärge kasutage süütamiseks piiritust, bensiini, alkoholi ega muid taolisi kemikaale.
- Olge süütevedeliku sütele lisamisel ettevaatlik. Süütevedelik ei tohi läbi süte maha valguda. Maha valgunud vedelik võib kuumas grillis all põlema süttida.
- Ärge lisage süütevedelikku põlevatele ega kuumadele hõõguvatele sütele.
- Grill kuumeneb kasutamise ajal, seega olge väga ettevaatlik, kui ümbruses viibib laps, vanureid või lemmikloomi.
- Grill töötab kõige paremini lehtpuidust grillsöe või grillbriketi abil.
- Grillis ei tohi põletada puuhalge.
- Grilli vahetus läheduses ei tohi olla tuleohtlikke materjale ega vedelikke.
- Jälgige grilli kasutamisel tekkivat suitsu, ärge kasutage grilli avatud akende all.
- Grilli ei tohi kasutamise ajal järelevalveta jätta.
- Kandke grillimise ajal kuumakindlaid grillikindaid.
- Ärge kasutage grilli kustutamiseks vett. Kustutage grill hõõguvate süte summutamisega.
- Ärge teisaldage grilli kasutamise ajal ega siis, kui see on alles kuum.
- Enne kasutamist otsige grillilt alati kahjustusi ja kulunud kohti ning vajaduse korral vahetage osad uute vastu.
- Ärge kasutage grilli, kui see ei tööta normaalselt.
- Ärge laske lastel grilli kasutada.
- Alkohol, retseptiravimid ja mitmesugused uimastid võivad mõjutada kasutaja võimet grilli ohutult ning nõuetekohaselt kasutada.



**Grilli kaane avamisel paotage seda esmalt ettevaatlikult, et hõõguvad söed saaksid aeglaselt ja ohutult õhku. Nii väldite liigseid leegisähvatusi ja võimalikku kahju.**

# Söegrilli kasutamine

## Enne esmast kasutuselevõttu

Esmase kasutuselevõtu eesmärk on veenduda grilli toimivuses ja kontrollida, kas selle terasosad annavad võimaliku kuumuse leviku tõttu järele.

1. Veenduge, et grill on koostejuhendi järgi kokku pandud.
2. Süüdake grill juhiste kohaselt.
3. Laske sütel lõpuni põleda ja oodake, kuni grill on täielikult jahtunud.
4. Vaadake kõik kruvid üle ja vajaduse korral pingutage.
5. Grill on nüüd kasutusvalmis.

**i** Ärge kasutage grilli, kui see on kahjustatud või grillil puudub mõni osa.

**i** Ärge kasutage liiga palju grillsütt, sest liigne kuumus võib grilli kahjustada.

## Enne igat kasutamist

Grilli ohutu ja sihtotstarbeline kasutamine eeldab enne iga kasutuskorda mitmesuguseid kontrolltegevusi. Lugege alljärgnev kontroll-loend tähelepanelikult läbi.

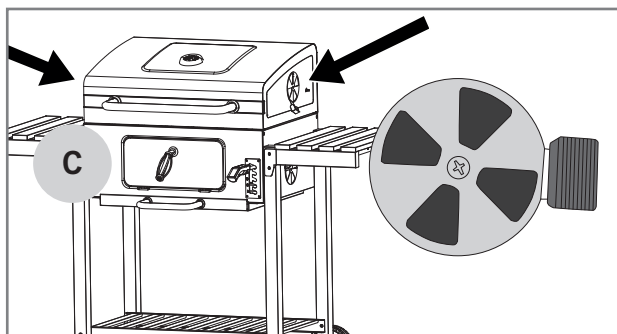
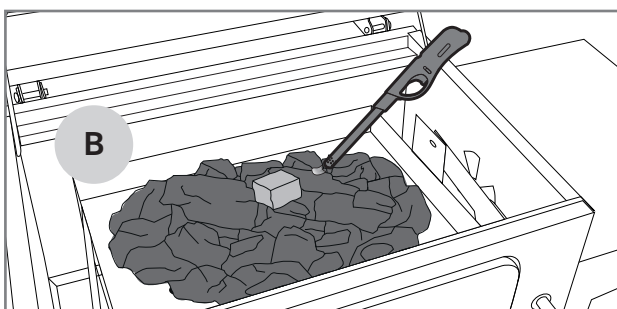
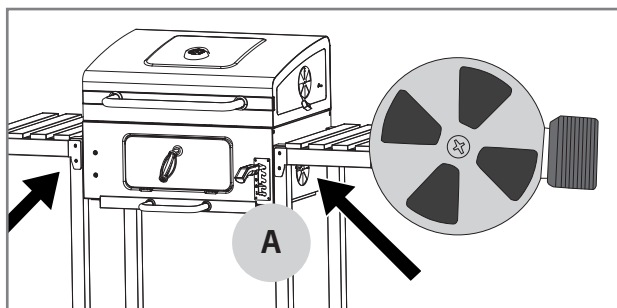
1. Veenduge, et grill on paigutatud kasutusjuhendi järgi.
2. Veenduge, et grill on paigutatud õigesti ja selle vahetus läheduses ei ole tuleohtlikke materjale ega vedelikke.
3. Eemaldage koldest võimalik eelmisest kasutuskorras jäänud tuhk.
4. Puhastage ja õlitage grillresti/-plaati toiduõliga.
5. Süüdake grill juhiste kohaselt.

**!** Ärge kasutage grilli, kui see on kahjustatud või grillil puudub mõni osa.

## Söegrilli süütamine tiku või pika tulesüütaja

Söegrillis tohib kasutada ainult lehtpuusütt või -briketti. Kasutage süütamiseks üksnes standardile EN 1860-3 vastavaid süütevahendeid.

1. Avage grilli kaas ja tõstke grillirest välja.
2. Laotage söepesa peale umbes kolm peotäit grillsütt.
3. Lisage üks Mustangi süütekuubik.
4. Avage alumised õhuventiilid täielikult (A).
5. Süüdake süütekuubik pika tuletiku või pika tulesüütaja (B).
6. Kui süütekuubik on süttinud, sulgege kaas ja ava ülemised õhuventiilid täielikult (C).
7. Kui hõõguvad söed või briketid on muutunud helehalliks, on need valmis.
8. Seadke õhuventiilid soovitud asendisse.
9. Grill on kasutusvalmis.



**i** Ärge kasutage grilli kütteinena halge ega muud puitu. Vale kütteaine kasutamine võib grilli kahjustada ja selline kahju ei kuulu garantii alla.

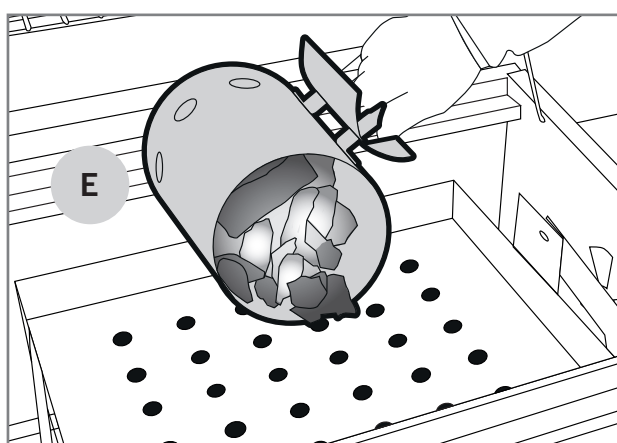
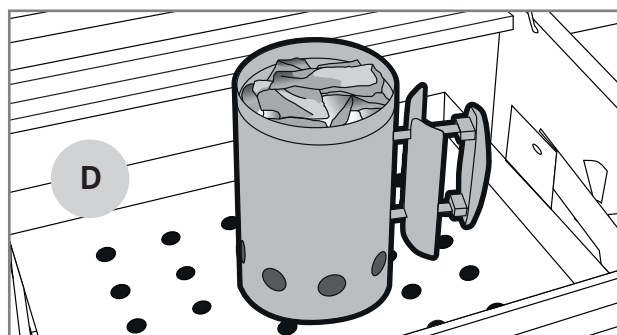
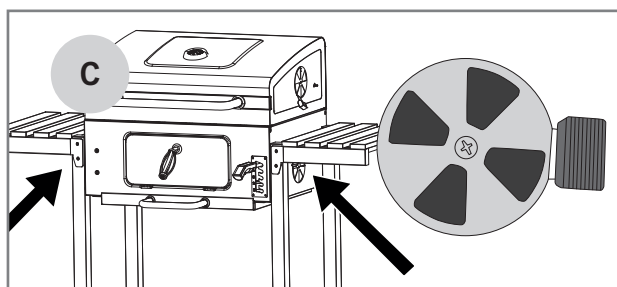
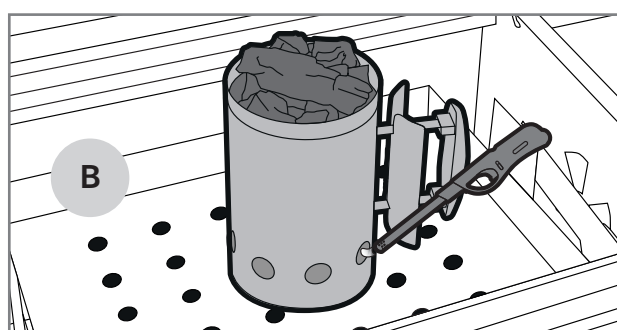
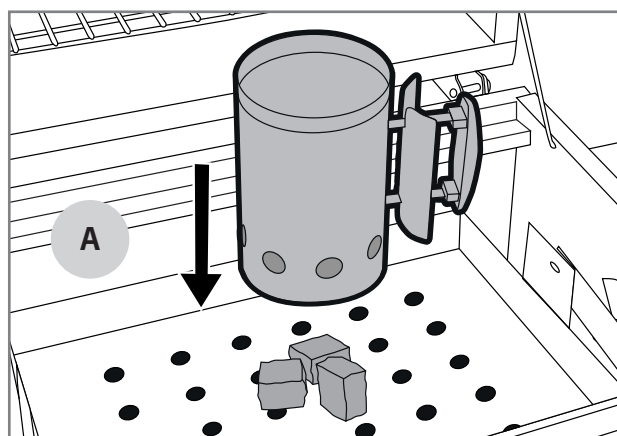
**i** Ärge kasutage grilli süütamiseks bensiini, piiritust ega muid süttivaid vedelikke.

**i** Olge süütevedeliku sütele panemisel ettevaatlik. Süütevedelik ei tohi läbi süte maha valguda. Maha valgunud süütevedelikust tulenevad kahjustused grillil või grilli ümbruses ei kuulu garantii alla.

## Söegrilli süütamine süütekorstna abil

Kiire grillimise eesmärgil võib süüdada söed süütekorstna abil. Mustangi süütekorsten on müügil eraldi.

1. Avage grilli kaas ja tõstke grillirest välja.
2. Asetage söeruumi peale mõned Mustangi süütekuubikud (A).
3. Tõstke süütekorsten otse süütekuubikute peale.
4. Täitke süütekorsten Mustangi grillisöe või -briketiga.
5. Süüdake süütekuubikud süütekorstna õhuavade kaudu pika tuletiku või tulesüütaja (B).
6. Avage alumised õhuventiilid täielikult (C).
7. Söed/briketid on kasutusvalmis, kui süütekorstna peal on näha leeki (D).
8. Kallake põlevad söed/briketid ettevaatlikult söepessa (E). Ärge unustage kanda grillikindaid.
9. Sulgege kaas ja seadke õhuventiilid soovitud asendisse.
10. Grill on kasutusvalmis.



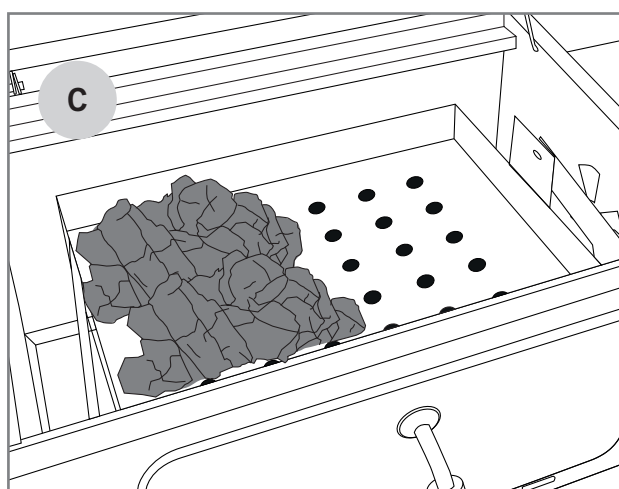
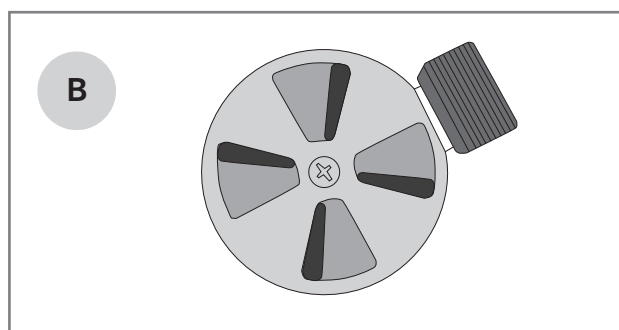
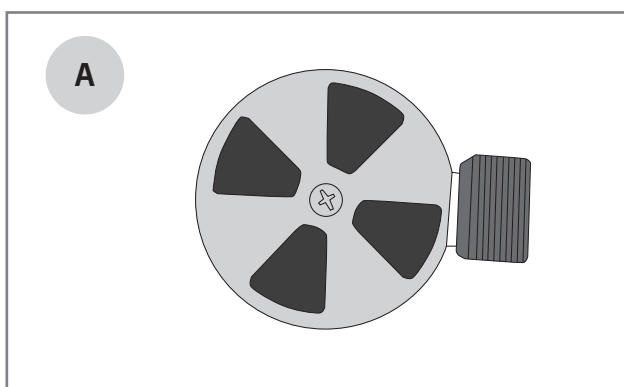
## Grillimine kõrgel temperatuuril

Kiiremat küpsetamist nõudvad road grillitakse üldiselt kõrgemal kuumusel, temperatuuril 220–300 °C. Nii jääb tooraine pealispind krõbedam, kuid sisu püsib mahlasena.

1. Süüdake grill juhiste kohaselt.
2. Kontrollige kaane termomeetri näitu.
3. Kui soovitud temperatuur on saavutatud, jätke kõik õhuventiilid täiesti avatud asendisse (A).
4. Grill on nüüd kasutusvalmis.



**Avage grilli kaas ettevaatlikult, et hõõguvad söed saaksid aeglaselt ja ohutult õhku. Nii väldite liigseid leegisähvatusi ja võimalikku kahju.**



## Kaudne grillimine

Kaudse grillimise teel saab valmistada pikemat küpsemist vajavaid toite, nt terve tükina praadi, broilerit või kala. Kaudset grillimist kasutatakse ka otsegrillimisel pruunistatud lihatükkide läbiküpsetamiseks. Kaudseks grillimiseks pannakse söed ainult söepesa ühele poolele (C).

## Grillimine madalal temperatuuril

Suuri lihatükke on soovitatav grillida kauem ja madalal temperatuuril, et liha jääks mahlane ega kuivaks nii kergesti. Madal temperatuur sobib hästi ka õrnemale toorainele. Kuidas madalal temperatuuril grillida?

1. Süüdake grill juhiste kohaselt.
2. Kontrollige kaane termomeetri näitu.
3. Kui soovitud temperatuur on saavutatud, pange kõik õhuventiilid võimalikult kinni (B).
4. Soovi korral võite piirata kuumust, pannes söed ainult ühte äärde (C).
5. Grill on nüüd kasutusvalmis.

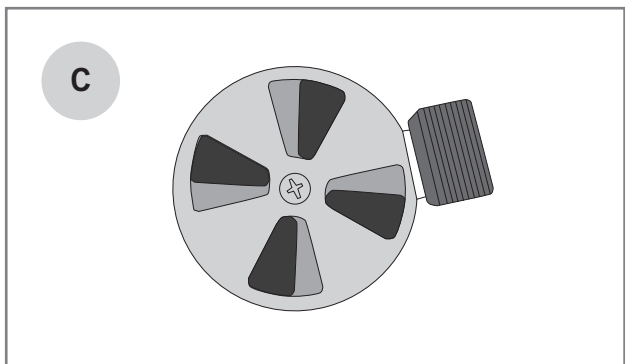
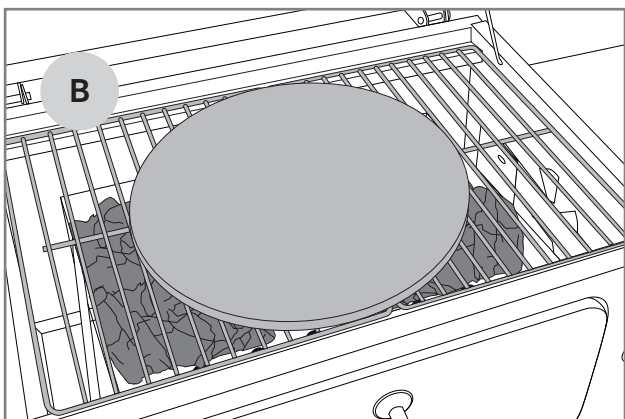
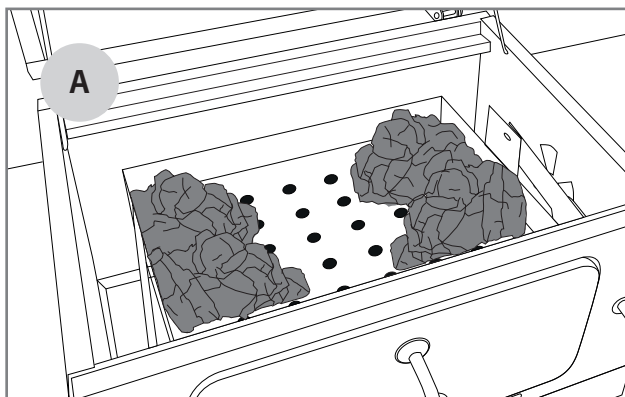


**Ärge unustage kanda õhuventiilide reguleerimise ajal kuumakindlaid grillikindaid.**

## Küpsetamine

Söegrilliga õnnestub ka küpsetamine suurepäraselt, kui kasutada spetsiaalset küpsetuskivi. Mustangi küpsetuskivid on müügil eraldi.

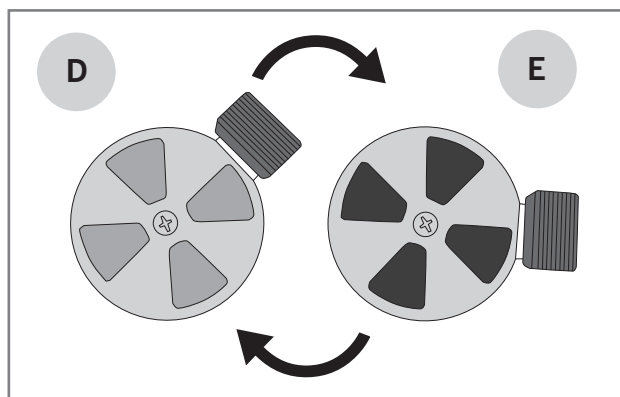
1. Pange söed söepesa mõlemasse serva (A).
2. Süüdake grill juhiste kohaselt.
3. Kui süütekuubikud on põlenud, avage kaas ja tõstke küpsetuskivi oma kohale.
4. Sulgege kaas, hoidke õhuventiilid täiesti lahti ja laske sütel korralikult süttida.
5. Kontrollige kaane termomeetri näitu.
6. Kui soovitud temperatuur on saavutatud. Pange kõik õhuventiilid keskmisse asendisse (C).
7. Grill on nüüd kasutusvalmis.



## Üldteave temperatuuri reguleerimise kohta

Söegrilli temperatuuri reguleeritakse õhuhulga muutmise kaudu. Temperatuuri mõjutab ka grillsöe hulk ja kvaliteet. Allpool on loetletud tähtsamad asjaolud, millega temperatuuri reguleerimisel arvestada.

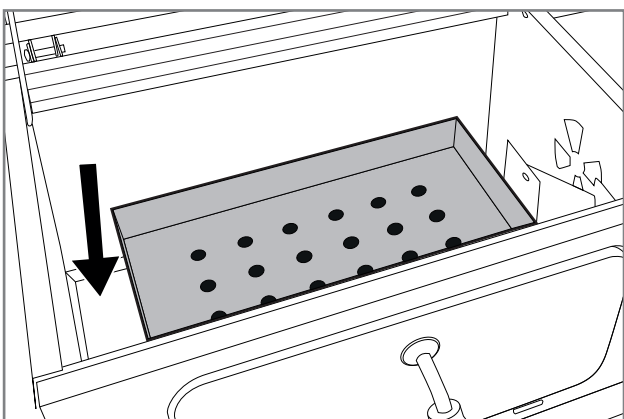
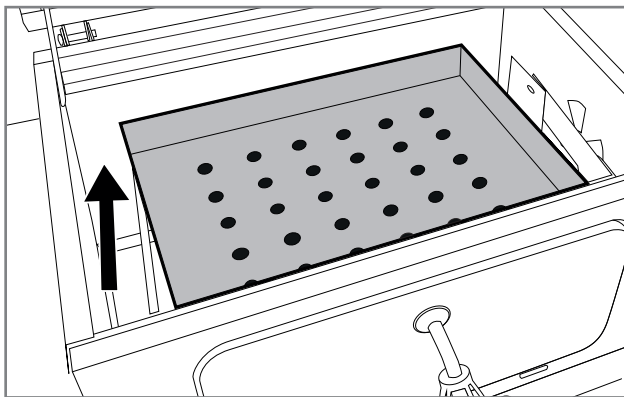
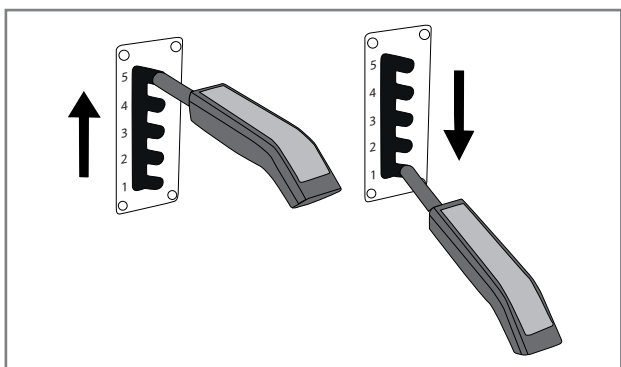
1. Alumised õhuventiilid juhivad grilli õhku, samas kui ülemised õhuventiilid eemaldavad selle.
2. Alumised õhuventiilid võimaldavad temperatuuri ligikaudselt tõsta.
3. Ülemisi õhuventiile kasutatakse temperatuuri peenhäälestamiseks.
4. Kui soovite temperatuuri tõsta, peab grill saama rohkem õhku (D-E).
5. Kui soovite temperatuuri vähendada, tuleb grilli õhuvoolu piirata (E-D).



## Söepesa tõstmine ja langetamine

Toidule suunatavat kuumust saab reguleerida ka söepesa tõstes või allapoole lastes. Ülemises asendis jaguneb soojus laiemale alale, alumises asendis kandub toitudele rohkem kuumust. Temperatuuri mõjutab ka grillsöe hulk ja kvaliteet ning õhuavade reguleerimine.

Söepesa saab sobivale kõrgusele tõsta ja langetada kuueastmelise reguleerimishoova abil.



## Grillsöe/briketi lisamine grillimise käigus

Aeglase küpsetamise käigus võib tekkida vajadus grillsütt/briketti lisada. Seda on lihtne teha, kui üks grillirest kõrvale tõsta. Kui soovite lisada grillsütt/briketti grillimise ajal, tehke järgmist.

1. Avage kaas.
2. Tõstke üks grillirest kõrvale.
3. Lisage pikkade grillitangidega ja grillikindaid kandes grillsüsi/brikett.
4. Asetage grillirest oma kohale tagasi.
5. Sulgege kaas.



**Grilli kaane avamisel muutub alati grilli sisetemperatuur, mis võib muuta küpsetamisaega.**

## Grillsöe kogus

Valige grillsöe kogus vastavalt grillitavale roale ja grillimisviisile. Kui grillite kõrgel temperatuuril ja kiiresti, võite kasutada alljärgnevalt tabelit.

Grilli läbimõõt	Grillsöe kogus
< 47 cm	0,3 – 0,5 kg
47 cm	0,6 – 0,8 kg
57 cm	1,0 – 1,2 kg



## Grillsöe kogus kaudsel grillimisel

Kaudsel, madalal temperatuuril grillimisel peab vahepeal grillsütt lisama. Grillsöe koguse hindamiseks saab kasutada alljärgnevat ligikaudset tabelit.

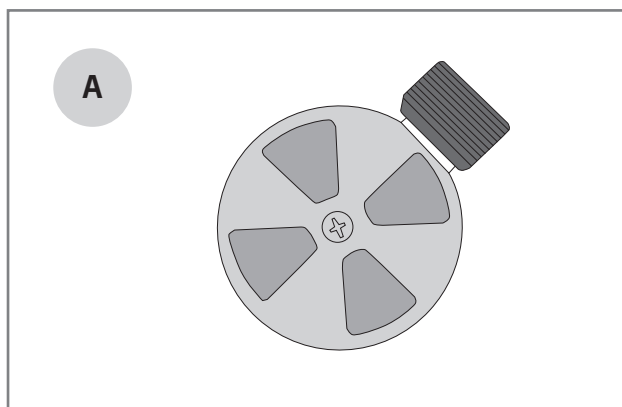
Grilli läbimõõt	Grillsöe kogus	Lisasöe vajadus tunnis
< 47 cm	0,2 – 0,3 kg	0,3 kg
47 cm	0,3 – 0,4 kg	0,3 kg
57 cm	0,4 – 0,5 kg	0,4 kg

## Grilli kustutamine

Kui olete grilli kasutamise lõpetanud, kustutage grill järgmisel moel.

1. Sulgege kaas.
2. Pange kõik õhuventiilid täiesti kinni (A).
3. Hoidke kaant ja õhuventiile järgmise päeva jooksul suletuna, et hõõguvad söed kindlasti kustuksid ja grill jahtuks.

**i** Ärge kasutage süte kustutamiseks vett. Kuumadele sütele valatud vesi võib grilli kahjustada.



## Rasva põlemine

Üleliigne rasv ja marinaad tuleb grilli põhjast, seintelt, sörestilt ja grillirestilt eemaldada.

Kui grilli koguneb liigselt rasva, võib see süttida ja põhjustada rasvapõlengu, mis võib kahjustada grilli ja keskkonda ning tekitada ohtliku olukorra.

Seda tuleb arvestada ennekõike ühekorraga suurema koguse rasvase liha grillimisel, mil lihast tilkunud rasv koguneb grilli põhja.

## Leegi sähvimine

Söegrilli leegi vähene sähvimine on tavapärane ja lisab toidule maitset. Kui leek sähvib tugevalt, tõstab see grilli sisetemperatuuri ja suurendab rasva tilkumist grillitavast toidust. See omakorda suurendab rasvapõlengu ohtu. Seepärast tuleb sähvimist järgmiste ettevaatusabinõudega ennetada.

1. Eemaldage lihalt liigne rasv.
2. Püüdke küpsetada liha õigel temperatuuril.
3. Veenduge, et grilli põhjal ega seintel ei ole liigset rasva ega marinaadi.
4. Hoidke kaant igal võimalusel suletuna.

**i** Kui grillite suletud kaanega, on temperatuur ühtlasem ja seda on lihtsam reguleerida.

# Kasulikke nõuandeid

## Üldteave grillimise kohta

Grillimine on igati lihtne ja meeldiv tegevus, kui peate meeles mõnda väikest nippi ja järgite siinseid üldiseid grillimisnõuandeid.

- **Oodake, kuni grillsüsi või -brikett on korralikult süttinud.** Kui need on muutunud värvuselt helehalliks, on süsi valmis.
- **Grill peab korralikult kuumenema.** Keraamiline kest kogub tõhusalt kuumust, mis lihtsustab temperatuuri hoidmist. Kui grilliplaadid ja -restid on korralikult kuumenenud, ei kleepu toit kinni ja selle pind pruunistub kenasti.
- **Määrduvad töövahenditega ei grillita.** Vanad marinaadi- ja toidujäägid kleepuvad kergesti resti ning grillitava toidu külge. Puhastage grillirestid ja -plaadid pärast igat kasutuskorda. Nii on need järgmisel korral kohe võtta.
- **Paigutage grillitarvikud käeulatusse.** Õige grillimisaja ja -temperatuuri hoidmine on lihtsam, kui kõik vajalikud töövahendid, maitseained, marinaadid ja toidunõud on grillimiskoha läheduses.
- **Grilli kaas olgu võimalikult palju kinni.** Kui kaas on kinni, ei lange grilli temperatuur asjata ja grillimisaeg lüheneb.
- **Liha tuleb võimalikult vähe ringi keerata.** Piisab ühest korrast. Kui toit saab piisavalt kauaks rahulikult grilliplaadile või -restile jääda, pruunistub selle pind kenasti.
- **Termomeeter aitab!** Liiga pikk grillimisaeg kuivatab toitu ja rikub maitseainet. Parima tulemuse saamiseks hankige lihatermomeeter.
- **Liha peab 10–20 minutit seisma,** enne kui seda lõigata ja süüa. Selle ajaga temperatuur ühtlustub ja lõikamisel ei eraldu nii palju lihamahla.

## Marinaadid

Marinaadi kasutamine on grillimisel tavaline. Selle ülesanne on anda grillitavale toidule meelepärane maitse. Kuid marinaadid kõrvetavad ka toidu grilliresti ja -plaadi külge. Samuti võib õline marinaad valguda põleti peale ja panna leegi sähvima või tekitada lausa rasvapõlengu. Siin on paar nippi, kuidas marinaadiga seotud probleeme vähendada.

1. Püüdke liigne marinaad enne grillimist toidult maha pühkida.
2. Kui lisate marinaadi grillimise käigus, kasutage alati grillipintslit. Marinaadi ei tohi pudelist otse toidule valada.
3. Eelistage grillimisel pigem kuivmarinaade.

**i** Ärge kasutage toormarineerimisest järele jäänud marinaadi valmistoidu marineerimiseks. Sel juhul satuvad toore liha bakterid valmistoidu sisse.

## Toidu kinnikleepumise vältimine

Toidu kleepumine grilliresti või -plaadi külge on grillijale hästi tuttav nähtus. Siin on mõned nipid, kuidas liigset kleepumist vältida.

1. Eelkuumutage grilli piisavalt.
2. Puhastage grillirest ja -plaat enne, kui toidu selle peale asetate.
3. Pintselage grillimisala ja grillitavat toitu enne grillimist.
4. Proovige järgmist: poolitage sibul ja pühkige resti sibulaga enne grillimise alustamist. Toit ei jää sel juhul resti külge kinni.
5. Ärge keerake grillitavaid toiduaineid liiga kiiresti ringi, vaid laske nende pinnal korralikult küpseda.

## Grillimisjuhend koos temperatuuridega

Allpool on loetletud enamlevinud toorainete ligikaudsed grillimisajad ja temperatuurid. Tuul, sademed, välistemperatuur ja grilli puhtus võivad grillimisaega mõjutada.



### Veis

Tükk	Paksus/kaal	Grillimismeetod	Grillimisaeg
Sise-/välisfilee lõik	u 2 cm	Otsene kõrge temperatuur	2,5–3,5 min / üks pool
Sise-/välisfilee lõik	u 5 cm	Otsene kõrge temperatuur Kaudne keskmine temperatuur	2,5 min / üks pool 8–10 min
Terve sisefilee	u 1,5 kg	Otsene kõrge temperatuur Kaudne keskmine temperatuur	3 min / üks pool 20–30 min
Praad	u 1,5 kg	Otsene keskmine temperatuur Kaudne keskmine temperatuur	3–4 min / üks pool 30–40 min
Hamburgeripihv	u 2 cm	Otsene kõrge temperatuur	2–3 min / üks pool
Sisetemperatuur			
Toores – peaaegu toores		47 – 51 °C	
Keskmiselt küps		52 – 58 °C	
Peaaegu küps - küps		59 – 66 °C	



### Siga

Tükk	Paksus/kaal	Grillimismeetod	Grillimisaeg
Fileelõik, karbonaad	u 2 cm	Otsene kõrge temperatuur	2 – 2,5 min / üks pool
Sisefilee	u 600 g	Otsene kõrge temperatuur Kaudne keskmine temperatuur	3 min / üks pool 20 – 30 min
Grillkülg/-ribi	u 1,5 kg	Kaudne keskmine temperatuur Otsene kõrge temperatuur	60 – 90 min 4 min / üks pool
Kassler	u 3 cm	Otsene keskmine temperatuur Kaudne keskmine temperatuur	2,5 – 3 min / üks pool 15 – 20 min
Toorvorst	u 400 g	Otsene madal temperatuur	2 – 3 min / üks pool
Sisetemperatuur			
Küps filee		65 – 70 °C	
Küps muu tükk		65 – 70 °C	



## Kana ja kalkun

Tükk	Paksus/kaal	Grillimismeetod	Grillimisaeg
Rinnafilee	u 200 g	Otsene keskmine temperatuur	5 – 6 min / üks pool
Kints	u 120 g	Otsene keskmine temperatuur	5 – 6 min / üks pool
Tiivad	u 500 g	Otsene keskmine temperatuur Kaudne keskmine temperatuur	6 – 10 min 30 – 40 min
Terve broiler	u 900 g	Kaudne keskmine temperatuur	60 – 75 min
Sisetemperatuur			
Küps		75 °C	



## Kala

Tükk	Paksus/kaal	Grillimismeetod	Grillimisaeg
Õhuke filee	u 200 g	Otsene keskmine temperatuur	2 – 3 min / üks pool
Paks filee	u 120 g	Otsene keskmine temperatuur	5 – 6 min / üks pool
Terve kala	u 500 g	Kaudne keskmine temperatuur	20 – 30 min
Sisetemperatuur			
Roosa		45 – 50 °C	
Täielikult küps		55 – 60 °C	



## Köögiviljad

Tükk	Paksus/kaal	Grillimismeetod	Grillimisaeg
Küps mais		Otsene keskmine temperatuur	6 min
Tomat		Otsene keskmine temperatuur	6 min / üks pool
Spargel		Otsene keskmine temperatuur	3 – 5 min
Kartuliviilud		Otsene keskmine temperatuur Kaudne keskmine temperatuur	5 – 8 min 10 – 15 min
Toores kartul		Kaudne keskmine temperatuur	45 – 60 min

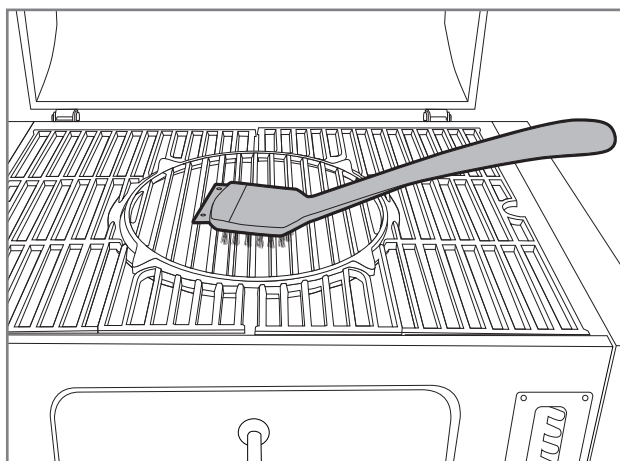
# Grilli puhastamine ja hoiulepanek

Grilli kasutamisega pikeneb märkimisväärselt, kui hoolitsete selle puhtuse ja korrapärase hoolduse eest. Kui grill ei kuumene piisavalt või toit kleepub kergesti grillplaadi külge, ei ole grilli järelkult nõuetekohaselt puhastatud või hooldatud.

## Grillrestid ja -plaadid

Grillrestid ja -plaadid tuleb puhastada kohe pärast kasutamist, kui grill on veel soe. Kasutage grilli puhastamiseks mõeldud harja või kaabitsat.

Grillreste ja -plaate võib pesta ka õrnatoimelise pesuaine ning sooja veega. Ärge unustage reste ja plaate pärast pesu korralikult kuivatada.



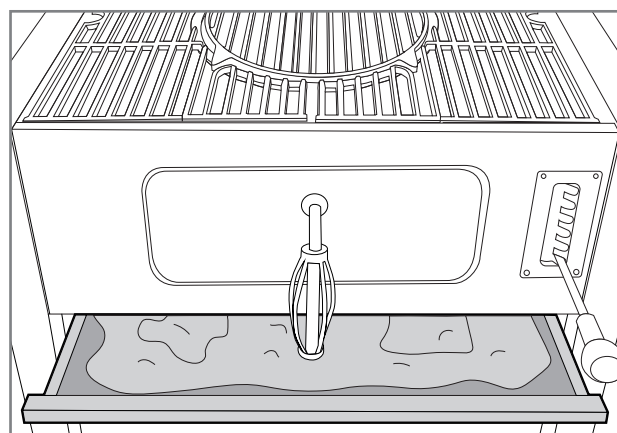
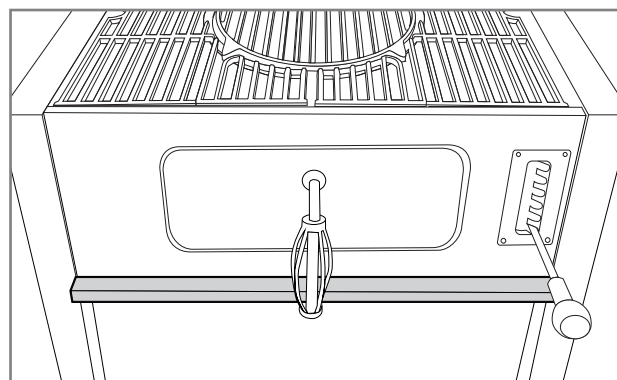
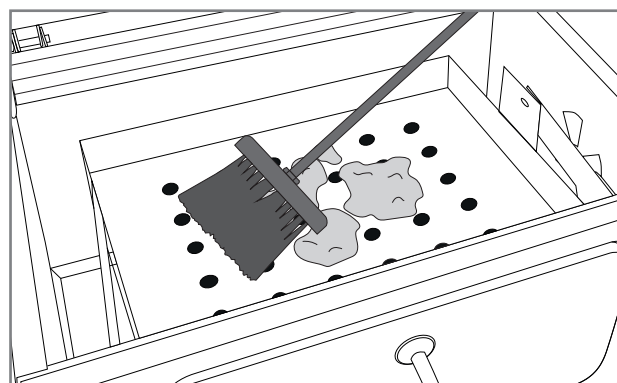
**i** Ärge kasutage keevitustöödel kasutamiseks mõeldud terasharja. Terasharja tekitatud kahju ei kuulu garantii alla.

## Tuha eemaldamine

Kui söed on kindlalt kustumud ja grill jahtunud, võib tuha eemaldada ja söepesa ära puhastada.

Peenike tuhk võib niiske ilmaga märguda ja söepesa roostetama panna. Puhastage söepesa regulaarselt.

Puhastage söepesa nt harja abil ja eemaldage tuhk tuhapleki abil.



## Grilli välispinnad ja terasosad

Grilli välispindu ja muid terasosi tuleb samuti regulaarselt puhastada. Järgige järgmisi üldjuhiseid.

1. Puhastage grilli terasosad Mustangi grilli puhastusaine või õrnatoimelise nõudepesuaine ja puhastuslapiga.
2. Kuivatage puhastatud osad hoolikalt.
3. Hoiatussiltide pindu ei tohi pesuainega puhastada, sest see võib teksti ja muud ohutusmärgised lahti leotada.
4. Puhastage grilli kõiki pealispindu vähemalt kolm korda aastas, et mustus ei saaks sisse sööbida.
5. Katsetage alati uue puhastusaine sobivust varjatud kohal.

**i** **Kloor ja sool võivad panna grilli roostetama. Kui kasutate grilli mere või ujumisbasseini vahetus läheduses, peate seda iga nädal puhastama.**

## Hoolitus

Terasosi tuleb töödelda kaupluses müüdavate terase hooldamiseks mõeldud õlidega 2–3 korda aastas. Nii väldite mustuse ja roosteplekkide teket teraspindadele.

Ärge unustage veenduda õli sobivuses, katsetades seda esmalt mõnel varjatud kohal.

Kontrollige regulaarselt käru, õhuventiilide ja sangade kruvide pingutatust. Grilli suured temperatuurikõikumised võivad põhjustada kruvide lödvenemist.

Õlitage hingedel liikuvaid terasosi kaks korda aastas universaalse õliga.

**i** **Ärge kasutage kruvide pingutamiseks kruvitrelli, sest see võib kruve või muid terasosi rikkuda. Kruvide liigse pingutamise tagajärjel tekkinud kahju ei kuulu garantii alla.**

## Säilitamine

Kui teete grillimises pikema pausi või soovite grilli nt talveperioodiks hoiule panna, järgige neid juhiseid. Õigesti hoitud grilli kasutusiga pikeneb ja grill püsib aastast aastasse töökorras. Grilli hoiule panekul toimige järgmiselt.

1. Puhastage grill täielikult kasutusjuhendi juhiste järgi.
2. Veenduge, et kõik grillirestid ja -plaadid on õlitatud.
3. Kui hoiate grilli õues, eemaldage sellest restid ja plaadid. Neid tuleb säilitada kuivas ja soojas ruumis. Soovitame mähkida need nt ajalehe sisse, et pindu mitte kriimustada.
4. Õues säilitamise korral tasub hankida kvaliteetne kaitsekate, mis katab grilli maani. Veenduge, et õhk saab ka katte all ringi käia.

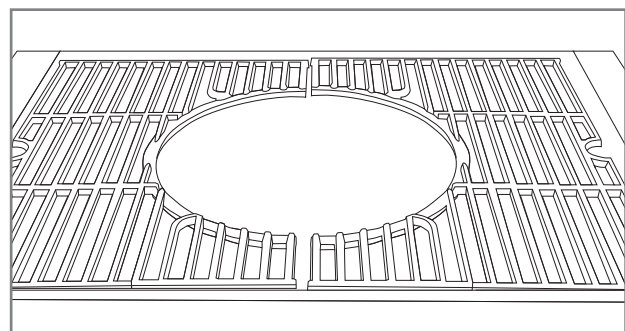
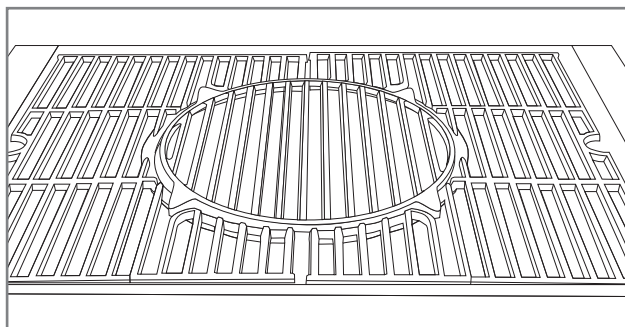
**i** **Ärge hoiustage grilli kohas, kus katuselt langev lumi kukub grilli peale. Lume ja jää tekitatud kahju ei kuulu garantii alla.**

# Multigrill ja lisavarustus

## Malmist Multigrilli grillimissüsteem

Teatud mudelitel on standardvarustuses Multigrilli grillimissüsteem, millele on saada mitmesugust lisavarustust.

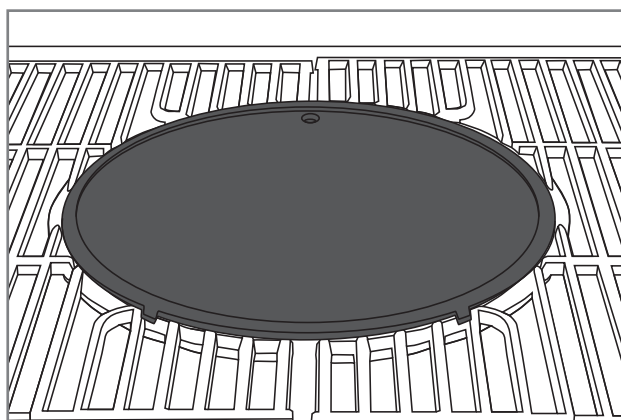
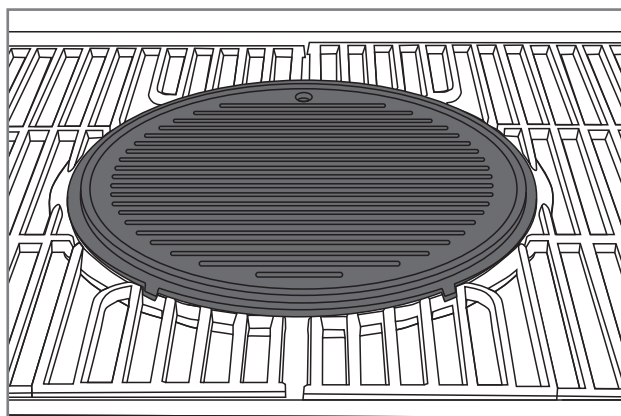
Nende mudelite puhul, millel Multigrilli grillimissüsteemi ei ole, võib lisavarustust kasutada otse grilliresti peal.



## Malmplaat

Tootekood: 603434

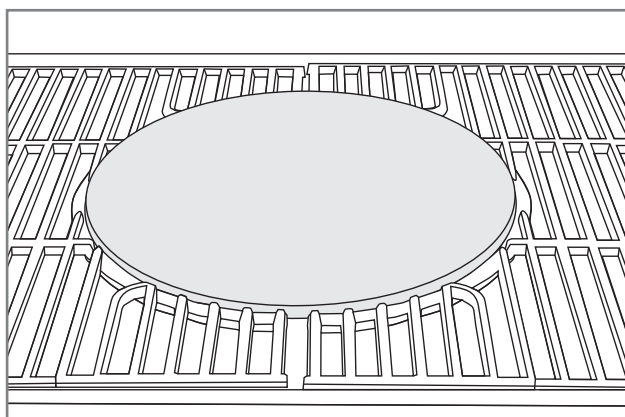
Plaadi üks pool on kõrgendusribadega ja teine sile. Ø 30 cm.



## Küpsetus- ja pitsakivi

Tootekood: 316871

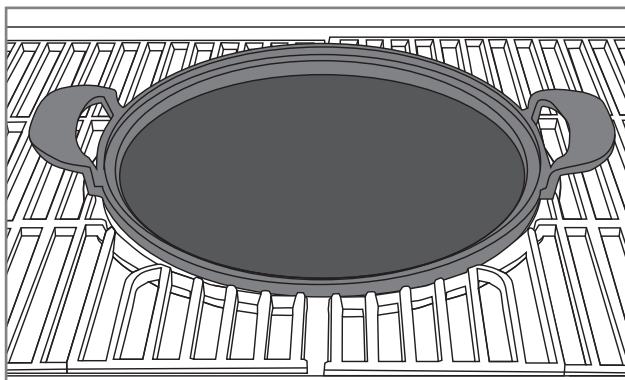
Mustangi Ø 30,5 cm küpsetuskivi on valmistatud vastupidavast kordieriidist. Küpsetuskivi saab kasutada leibade, pirukate ja pitsade küpsetamiselusena.



## Madal malmpann

Tootekood: 603435

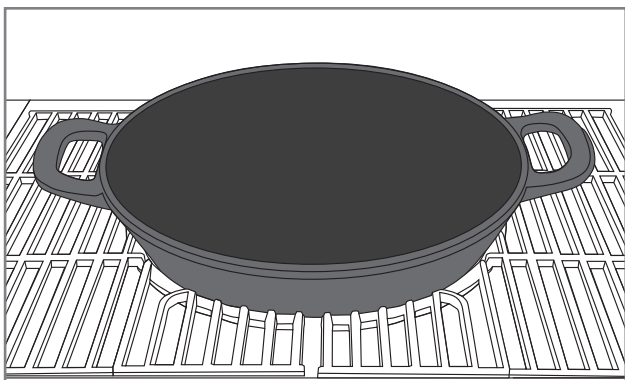
Madal malmpann võimaldab lihtsal moel küpsetada mitmesuguseid toite. Panni on tänu käepidemetele hea grillilt ära tõsta. Ø 30 cm.



## Malmist wok-pann

Tootekood: 603438

Mustangi malmist wok-pann sobib mitmesuguste köögiviljade ja muu toidu grillil vookimiseks. Tõstekäepidemed lihtsustavad panni teiseldamist. Ø 30 cm.





# Tõrgete kõrvaldamine

Iga grill võib töötamast tõrkuda. Harilikult on tegemist lihtsasti kõrvaldatavate häiretega. Kui te ei leia murele alltoodud tabelist lahendust, pöörduge edasimüüja poole.

Tõrge	Võimalik põhjus	Lahendus
Õhuventiilid ei tööta õigesti.	Õhuventiilide kruvid on liiga pingul.	Lõdvenda õhuventiilide kruvisid.
	Ventiilid on mustuse ja rasva tõttu kinni kleepunud.	Keerake ventiilide kruvisid pisut lahti ja puhastage ventiilid.
Grill ei sütti.	Õhuventiilid on suletud.	Avage õhuventiilid.
	Süsi või brikett on niiskust saanud.	Muretsege uus süsi või brikett.
Grill ei kuumene piisavalt.	Tuli ei saa küllalt hapnikku.	Avage alumised õhuventiilid täielikult.
	Sütt ei ole piisavalt.	Lisage sütt ja avage alumised õhuventiilid.
Grill kuumeneb liialt.	Tuli saab liiga palju hapnikku.	Sulgege õhuventiilid ja oodake, kuni söed kustuvad. Kui temperatuur on langenud, avage õhuventiilid veidi. Vajaduse korral süüdake grill uuesti.

## Garantii

Mustangi söegrillidele kehtib vähemalt 12-kuuline tootmis- ja materjaligarantii. Garantiitingimused erinevad mudeliti. Ajakohased garantiitingimused leiate meie veebilehelt:

**[mustang-grill.com](http://mustang-grill.com)**

Kõigi garantiiküsimuste lahendamiseks on vaja esitada ostukviitung, millelt selgub ostukoht ja -kuupäev.



# MUSTANG

LV

**Lietošanas pamācība**

---

# Laipni lūdzam "Mustang" grila pasaulē

**Priecājamies, ka izvēlējāties "Mustang" grilu. "Mustang" vēlas kļūt par jūsu grila pavadoni un nodrošināt jums grilēšanu, par kādu jūs sapņojat. "Mustang" ir radies ar vēlmi baudīt nesteidzīgu un relaksētu ēdienu pagatavošanu kopā ar ģimeni vai draugiem, un šo pašu ideju mēs vēlamies piedāvāt jums.**

"Mustang" grili un piederumi ir rūpīgi izstrādāti un eleganti, tāpēc varam ar tiem lepoties. Mūsu ilggadējā pieredze un profesionālās prasmes atspoguļojas katrā no mūsu produktiem, un tiem piemīt visas šādiem izstrādājumiem būtiskās funkcijas un īpašības. Esam pārliecināti, ka šis grils Jūs priecēs ilgu laiku, ja vien atcerēsieties to pienācīgi uzturēt un tīrīt vadoties pēc šajā rokasgrāmatā sniegtajiem norādījumiem.

## Plašākā grilu izvēle

"Mustang" ir zīmols, kas pieder somu uzņēmumam "Tammer Brands Oy". "Mustang" piedāvā visu grilēšanai nepieciešamo aprīkojumu, piederumus, darbarīkus un rezerves daļas, kā arī plašu produktu klāstu kūpināšanai un picu cepšanai. Mums ir lieliski pazīstama grilēšanas kultūra, tāpēc varam nodrošināt, ka Jums ir pieejami tieši Jums visvairāk vajadzīgie un modernākie produkti. Tātad "Mustang" ir vienīgais zīmols, kas Jums ir nepieciešams veiksmīgai grilēšanai.

## Klientu apkalpošana

"Tammer Brands Oy",  
tālr. +358 3 252 1111  
Viinikankatu 36,  
33800 Tampere, Somija

**TAMMER**  
BRANDS | EST 1954

[mustang-grill.com](http://mustang-grill.com)



**Pirms grila lietošanas izlasiet lietošanas instrukciju un saglabājiet to turpmākai uzziņai.**

Sekoiet mums sociālajos tīklos



**mustanggrill**

# Satura rādītājs

<b>Montāžas instrukciju</b> .....	3
Pirms uzstādīšanas .....	7
<b>Brīdinājumi un norādījumi par drošību</b> .....	150
Grila uzstādīšana .....	150
Vispārējie drošības norādījumi .....	151
<b>Ogļu grila izmantošana</b> .....	152
Pasākumi pirms pirmās lietošanas .....	152
Pasākumi pirms katras lietošanas .....	152
Ogļu grila aizdedzināšana ar sērkokociņu vai garām šķiltavām .....	152
Kokogļu grila aizdedzināšana ar ogļu iekurināšanas startera palīdzību .....	153
Grilēšana augstā temperatūrā .....	154
Grilēšana zemā temperatūrā .....	154
Netiešā grilēšana .....	154
Cepšana .....	155
Temperatūras vispārējā kontrole .....	155
Ogļu pannas pacelšana/nolaišana .....	156
Kokogļu vai brikešu papildināšana grilēšanas laikā .....	156
Kokogļu daudzums .....	156
Kokogļu daudzums netiešajā grilēšanā .....	157
Grila izslēgšana .....	157
Tauku aizdegšanās .....	157
Uzliesmošana .....	157

<b>Noderīgi ieteikumi</b> .....	158
Vispārīgi grilēšanas norādījumi .....	158
Marinādes .....	158
Izvairīšanās no ēdiena pielipšanas .....	158
Grilēšanas temperatūras norādījumi .....	159
<b>Grila tīrīšana un glabāšana</b> .....	161
Grila restes un pannas .....	161
Atbrīvošanās no pelniem .....	161
Grila ārējās virsmas un tērauda daļas .....	162
Apkope .....	162
Glabāšana .....	162
<b>Multigrill un piederumi</b> .....	163
Čuguna Multigrill grilēšanas sistēma .....	163
Cepšanas akmens / picas akmens .....	163
Čuguna restes .....	163
Zemā čuguna panna .....	164
Čuguna vokpanna .....	164
<b>Problēmu novēršana</b> .....	165
<b>Garantija</b> .....	165



## Brīdinājumi un norādījumi par drošību

Pirms šī ogļu grila lietošanas ir rūpīgi jāizlasa un jāpievērš uzmanība šajā rokasgrāmatā sniegtajiem brīdinājumiem un norādījumiem par drošību. Šis grils ir izgatavots saskaņā ar standartu EN1860-1.

Simbolu nozīme:



**BĪSTAMI!**



**UZMANĪBU!**

### Grila uzstādīšana



Šis grils ir paredzēts vienīgi lietošanai ārpus telpām, to nekad nedrīkst izmantot iekštelpās vai noslēgtās telpās. Skatīt tālāk atzīmētos punktus.

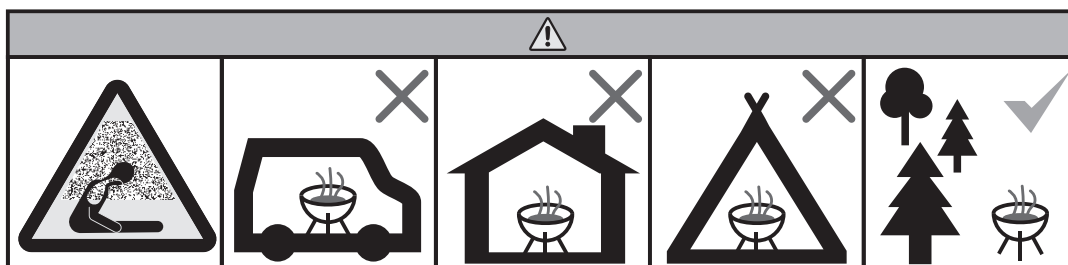
- Izmantojiet grilu tikai ārpus telpām.
- Neizmantojiet grilu blakus sienai, garāžā, dzīvojamajā automobili vai treilerī, citā slēgtā telpā vai iekštelpās.
- Pārliecinieties, ka grils ir novietots vismaz divu metru attālumā no uzliesmojošiem materiāliem.
- Grilu nedrīkst novietot zem nojumes vai saulesarga, jo pastāv uzliesmojuma risks.
- Pārliecinieties, ka grila tuvumā ir ugunsdzēsamais pārsegs / rokas ugunsdzēsamais aparāts un pirmās palīdzības aptieciņa.
- Pārliecinieties, ka grils ir novietots uz horizontālas un karstumizturīgas virsmas, jo parastas lietošanas laikā no grila var aizlidot vai nokrist karsti izdedži.
- Grilu nedrīkst novietot uz jutīgām virsmām vai to tuvumā, jo normālas lietošanas laikā no grila var izšļakstīties un notecēt tauki vai marinādes.
- Neizmantojiet grilu kā kamīnu.



Ja grils tiek novietots nepareizi, pastāv ugunsgrēka risks.



Grila lietošana iekštelpās un slēgtās telpās rada risku saindēties ar tvana gāzi.



## Vispārējie drošības norādījumi



**Ogļu grila izmantošana neparedzētiem mērķiem var radīt apdraudējumu, un ir pilnībā aizliegta pat nelielas grila konstrukcijas izmaiņas. Skatiet tālāk atzīmētos punktus.**

- Uzmanīgi ievērojiet montāžas instrukcijas un ņemiet vērā, ka montāžas laikā nevienu detaļu nedrīkst atstāt nepiestiprinātu. Ja netiek ievēroti norādījumi vai detaļas nav piestiprinātas, lietošanas laikā var rasties problēmas. Par pareizu grila montāžu ir atbildīgs lietotājs.
- Izmantojiet tikai šķiltavas, kas atbilst EN1860-3 standartam. Aizdedzināšanai neizmantojiet spirtu, benzīnu, alkoholu vai citas tamlīdzīgas ķīmiskas vielas.
- Uzmanieties, lejojot degšķidrumus uz oglēm. Nedrīkst pieļaut degšķidruma iesūkšanos zemē caur oglēm. Zemē nonācis šķidrums zem karsta grila var aizdegties.
- Nelejiet degšķidrumu uz degošām vai karstām oglēm.
- Lietošanas laikā grils kļūst karsts, tāpēc īpaši uzmanieties, ja tā tuvumā ir bērni, vecāki cilvēki vai mājdzīvnieki.
- Grils vislabāk darbojas ar lapu koku oglēm un grila briketēm.
- Grilā nedrīkst dedzināt malkas pagales.

- Grila tiešā tuvumā nedrīkst atrasties viegli uzliesmojoši materiāli vai šķidrumi.
- Uzmanieties no dūmiem, kas rodas, lietojot grilu, un nelietojiet grilu atvērtu logu tuvumā.
- Grilu lietošanas laikā nedrīkst atstāt bez uzraudzības.
- Lietojot grilu, neaizmirstiet valkāt karstumizturīgus cimdus.
- Uguns nodzēšanai grilā neizmantojiet ūdeni. Nodzēsiet grilu, apslāpējot ogles.
- Nepārvietojiet grilu, ja tas tiek lietots vai pēc lietošanas vēl ir karsts.
- Pirms lietošanas vienmēr pārbaudiet, vai grils nav bojāts un nolietojies, un vajadzības gadījumā aizstājiet bojāto daļu ar jaunu.
- Nelietojiet grilu, ja tas nedarbojas normāli.
- Neļaujiet bērniem lietot grilu.
- Alkohols, recepšu zāles un jebkāda veida apreibinošas vielas var ietekmēt lietotāja spējas droši un pareizi lietot grilu.



**Atverot grila vāku, sākumā veriet to uzmanīgi, lai gaiss varētu lēnām un droši piekļūt oglēm. Tas ļauj izvairīties no pārlietu lieliem uzliesmojumiem un bojājumiem.**

# Ogļu grila izmantošana

## Pasākumi pirms pirmās lietošanas

Pirmās lietošanas reizes mērķis ir pārbaudīt grila funkcionalitāti un pārliecināties, vai tērauda detaļas nekļūst vaļīgākas termiskās izplešanās dēļ.

1. Pārliecinieties, ka grils ir samontēts saskaņā ar uzstādīšanas instrukcijām.
2. Aizdedziniet grilu saskaņā ar norādījumiem.
3. Ļaujiet oglēm izdegt līdz galam un pagaidiet, līdz grils ir pilnībā atdzisis.
4. Pārbaudiet visas skrūves un vajadzības gadījumā pievelciet.
5. Tagad jūsu grils ir gatavs lietošanai.

**i** Neizmantojiet grilu, ja grils ir bojāts vai tam trūkst detaļu.

**i** Nelieciet grilā pārāk daudz ogļu, jo pārāk liels karstums var sabojāt grilu.

## Pasākumi pirms katras lietošanas

Lai grila lietošana būtu droša un pareiza, pirms katras lietošanas reizes ir jāveic dažas pārbaudes. Lūdzu, uzmanīgi izlasiet tālāko kontrolsarakstu.

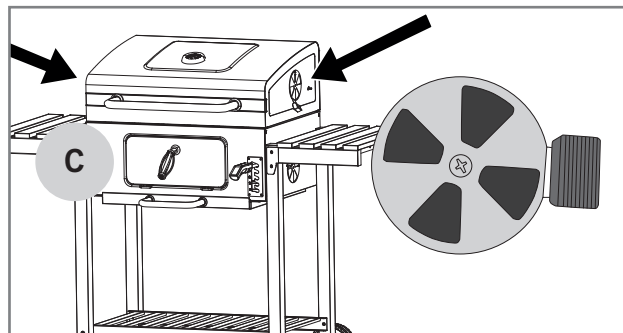
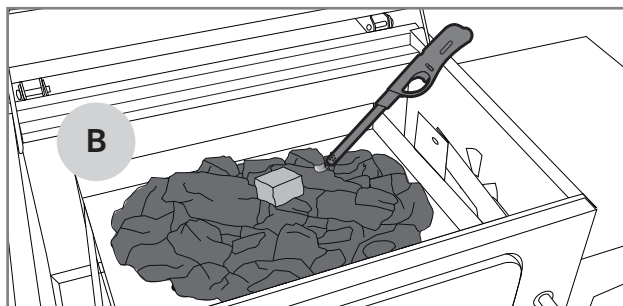
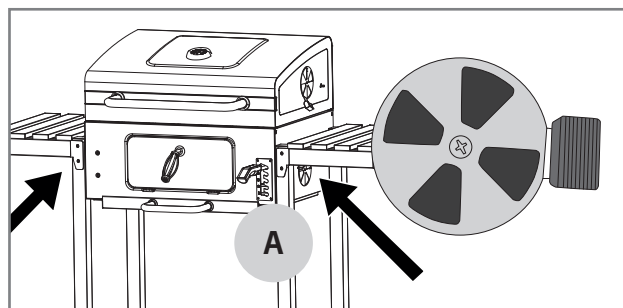
1. Pārbaudiet, vai grils ir samontēts saskaņā ar uzstādīšanas instrukcijām.
2. Pārbaudiet, vai grila tiešā tuvumā nav viegli uzliesmojošu materiālu vai šķidrumu.
3. Izņemiet no kurtuves pelnus, kas radušies no iepriekšējās grilēšanas reizes.
4. Grila restes/pannu notīriet un ieeļļojiet ar cepamo eļļu.
5. Aizdedziniet grilu saskaņā ar norādījumiem.

**!** Neizmantojiet grilu, ja grils ir bojāts vai tam trūkst detaļu.

## Ogļu grila aizdedzināšana ar sērkokociņu vai garām šķiltavām

Ogļu grilos drīkst izmantot tikai cietkoksnes kokogles vai briketes. Aizdedzināšanai drīkst izmantot tikai iekura līdzekļus, kas atbilst standartam EN1860-3.

1. Atveriet grila vāku un noņemiet grila režģi.
2. Ogļu pannā ielieciet apmēram 3 sauļas kokogļu.
3. Pievienojiet oglēm "Mustang" aizdedzināšanas kubiņus.
4. Pilnībā atveriet apakšējos gaisa vārstus (A).
5. Lai aizdedzinātu aizdedzināšanas kubiņus, izmantojiet garu sērkokociņu vai garas šķiltavas (B).
6. Kad degšķiltavas ir aizdegušas, aizveriet pārsegu un pilnībā atveriet augšējos gaisa vārstus (C).
7. Kad kokogles vai briketes ir kļuvušas gaiši pelēkas, tās ir gatavas.
8. Noregulējiet gaisa vārstus vēlamajā pozīcijā.
9. Grils ir gatavs lietošanai.





**i** Grila kurināšanai neizmantojiet malkas pagales vai citu koksni. Nepareiza degmateriāla izmantošana var sabojāt grilu, un uz visiem tādējādi izraisītiem bojājumiem neattiecas garantija.

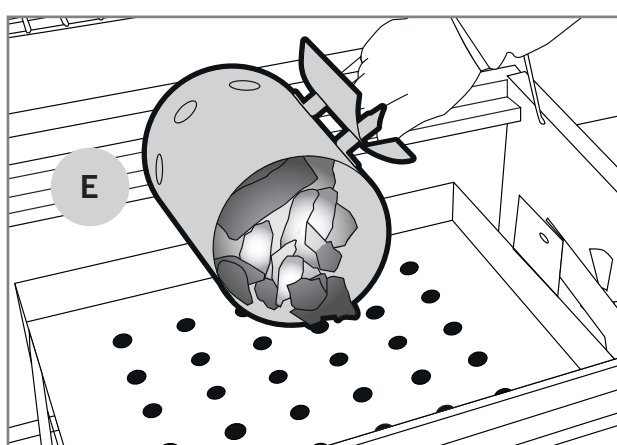
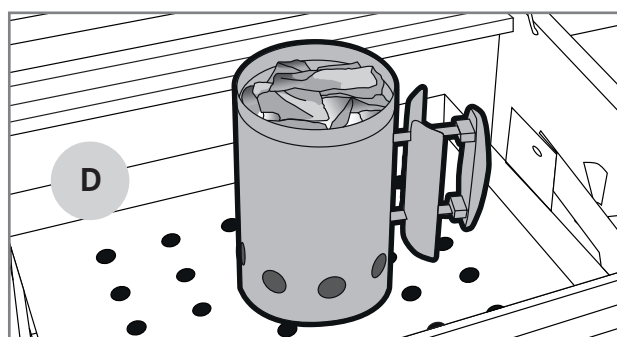
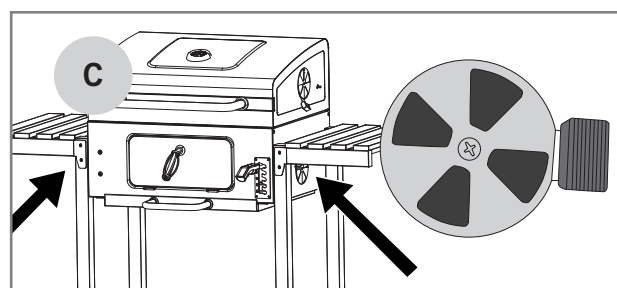
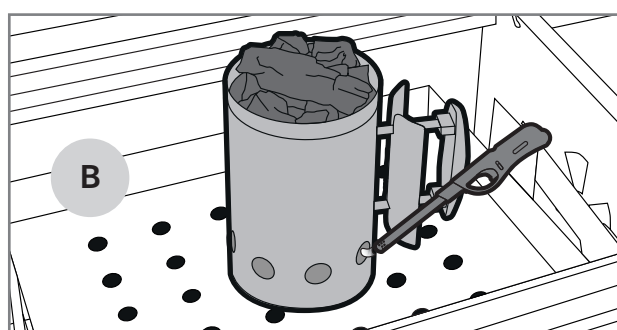
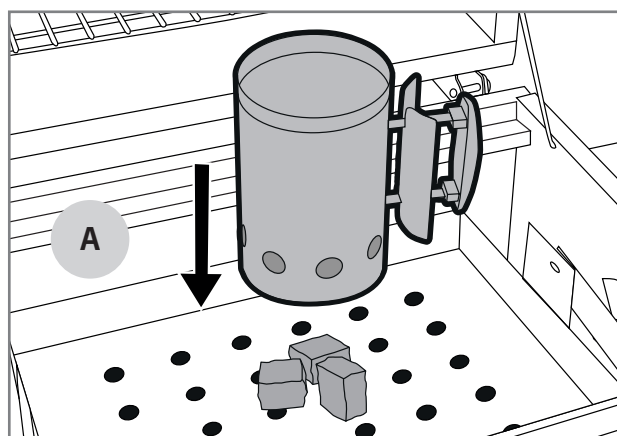
**i** Grila aizdedzināšanai neizmantojiet degšķidrumu, benzīnu, denaturēto spirtu vai citas tamlīdzīgas ķīmiskas vielas.

**i** Uzmanieties, lejot degšķidrumus uz oglēm. Nedrīkst pieļaut degšķidruma iesūkšanos zemē caur oglēm. Garantija neattiecas uz grila vai tā apkārtnes bojājumiem, ja tos ir izraisījusi degšķidruma izšļakstīšanās.

## Kokogļu grila aizdedzināšana ar ogļu iekurināšanas startera palīdzību

Ātrai grilēšanai aizdedzināšanu var veikt ar ogļu iekurināšanas starteri. "Mustang" ogļu iekurināšanas starteri pārdod atsevišķi.

1. Atveriet grila vāku un noņemiet grila režģi.
2. Novietojiet dažus "Mustang" aizdedzināšanas kubiņus uz ogļu pannas (A).
3. Novietojiet ogļu iekurināšanas starteri tieši uz aizdedzināšanas kubiņiem.
4. Piepildiet ogļu iekurināšanas starteri ar "Mustang" grila oglēm vai briketēm.
5. Izmantojiet garu sērkokciņu vai šķiltavas (B), lai aizdedzinātu aizdedzināšanas kubiņus pa gaisa caurumiem iekurināšanas starterī.
6. Pilnībā atveriet apakšējos gaisa vārstus (C).
7. Ogles/briketes ir gatavas lietošanai, kad uz iekurināšanas startera ir redzamas liesmas (D).
8. Uzmanīgi ieberiet degošās ogles/briketes ogļu pannā (E). Neaizmirstiet lietot grila cimdu.
9. Aizveriet vāku un noregulējiet gaisa vārstus vēlamajā pozīcijā.
10. Grils ir gatavs lietošanai.



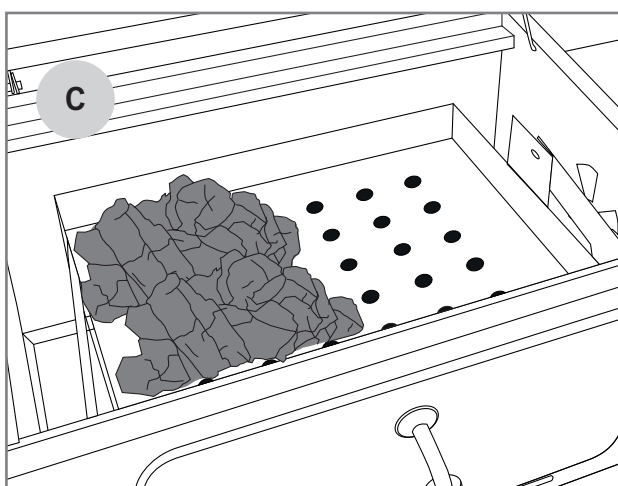
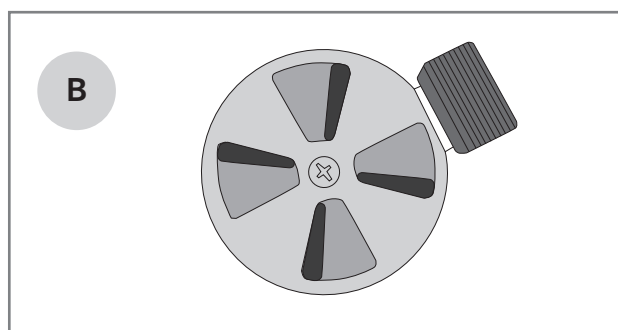
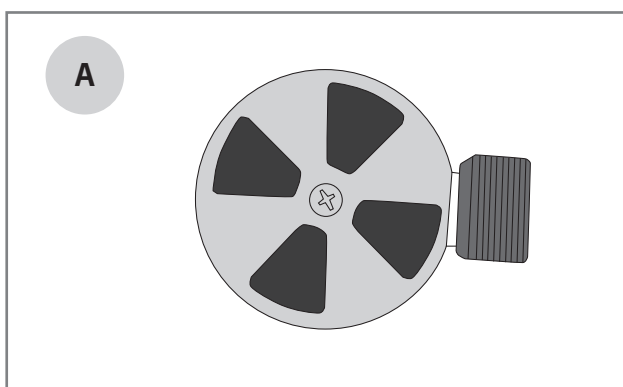
## Grilēšana augstā temperatūrā

Ēdienus, kas jāpagatavo ātrāk, parasti grilē augstākā temperatūrā (220–300 °C). Šādā veidā sastāvdaļu ārpusē kļūst kraukšķīgāka, bet iekšpusē paliek sulīga.

1. Aizdedziniet grilu saskaņā ar norādījumiem.
2. Pastāvīgi vērojiet temperatūru uz vāka termometra.
3. Kad ir sasniegta vēlamā temperatūra, novietojiet visus gaisa vārstus pilnīgi atvērtā pozīcijā (A).
4. Tagad grils ir gatavs lietošanai.



**Uzmanīgi atveriet grila vāku, gaiss var lēnām un droši piekļūt oglēm. Tas ļauj izvairīties no pārlietu lieliem uzliesmojumiem un bojājumiem.**



## Netiešā grilēšana

Ar netiešo grilēšanu var pagatavot ēdienus, kuru gatavošanai ir nepieciešams ilgāks laiks, piemēram, veselu cepeti, broileru un zivis. Netiešo grilēšanu izmanto arī, lai pagatavotu gaļas gabalus, kas apbrūnināti tiešajā grilēšanas procesā. Netiešajā grilēšanā ogles novieto tikai vienā ogļu pannas pusē (C).

## Grilēšana zemā temperatūrā

Īpaši lielus gaļas gabalus vēlams grilēt ilgāk zemākā temperatūrā, lai gaļa kļūtu mīksta un tik viegli neizžūtu. Zema grilēšanas temperatūra ir piemērota arī maigāku sastāvdaļu grilēšanai. Tālāk pieejami norādījumi grilēšanai zemā temperatūrā.

1. Aizdedziniet grilu saskaņā ar norādījumiem.
2. Pastāvīgi vērojiet temperatūru uz vāka termometra.
3. Kad ir sasniegta vēlamā temperatūra, novietojiet visus gaisa vārstus pēc iespējas aizvērtā pozīcijā (B).
4. Tiešo siltumu var ierobežot, pārvietojot ogles uz vienu pusi (C).
5. Tagad grils ir gatavs lietošanai.

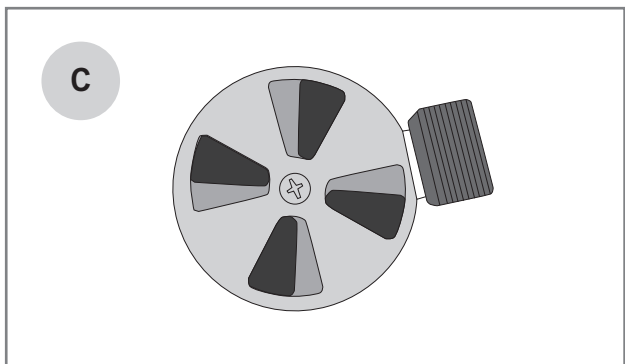
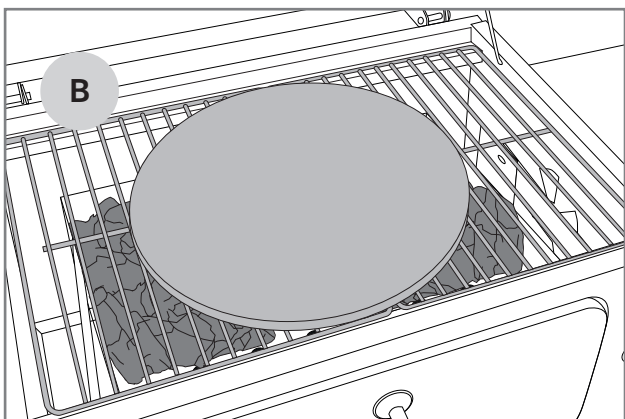
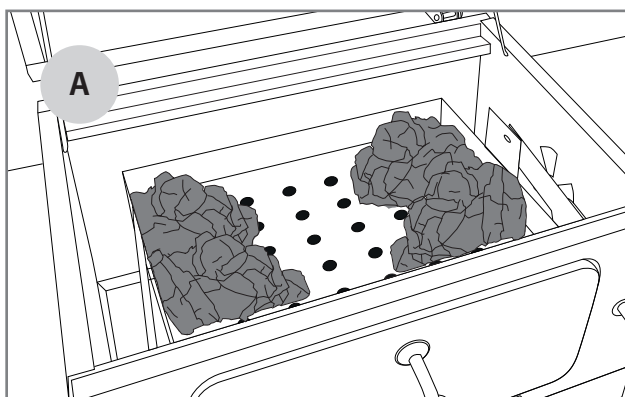


**Regulējot gaisa vārstus, neaizmirstiet uzvilkt karstumizturīgus grila cimdus.**

## Cepšana

Ogļu grils ir arī lieliski piemērots cepšanai, izmantojot atsevišķu cepšanas akmeni. "Mustang" cepšanas akmeņus pārdod atsevišķi.

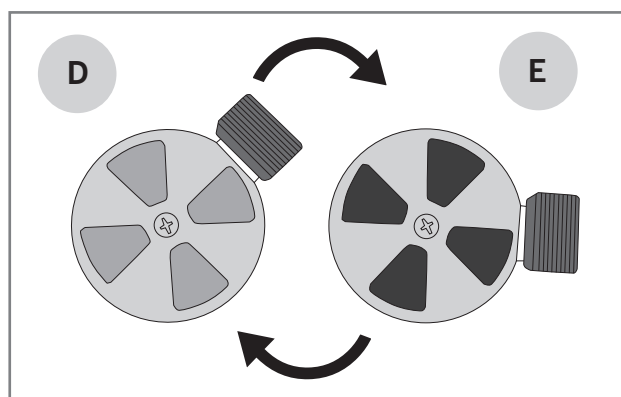
1. Ielieciet ogles abās ogļu pannas pusēs (A).
2. Aizdedziniet grilu saskaņā ar norādījumiem.
3. Kad aizdedzināšanas kubiņi ir sadeguši, atveriet vāku un novietojiet cepšanas akmeni (B).
4. Aizveriet vāku, atstājiet gaisa vārstus pilnīgi atvērtus un ļaujiet oglēm pienācīgi iedegties.
5. Pastāvīgi vērojiet temperatūru uz vāka termometra.
6. Kad ir sasniegta vēlamā temperatūra, Novietojiet visus gaisa vārstus vidus pozīcijā (C).
7. Tagad grils ir gatavs lietošanai.



## Temperatūras vispārējā kontrole

Ogļu grila temperatūru regulē, mainot gaisa daudzumu. Temperatūru ietekmē arī kokogļu daudzums un kvalitāte. Tālāk ir nosauktas vissvarīgākās lietas, kas jāzina par siltuma regulēšanu.

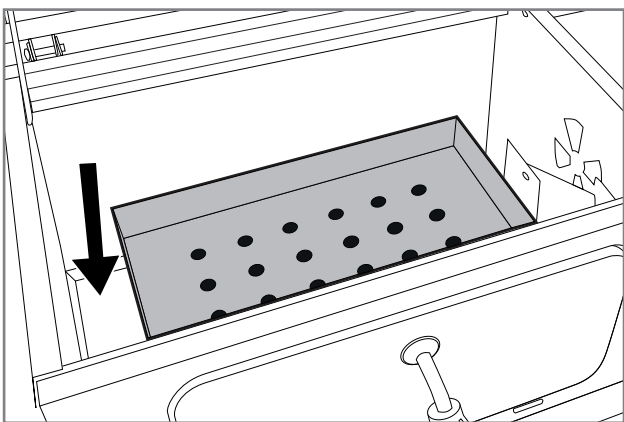
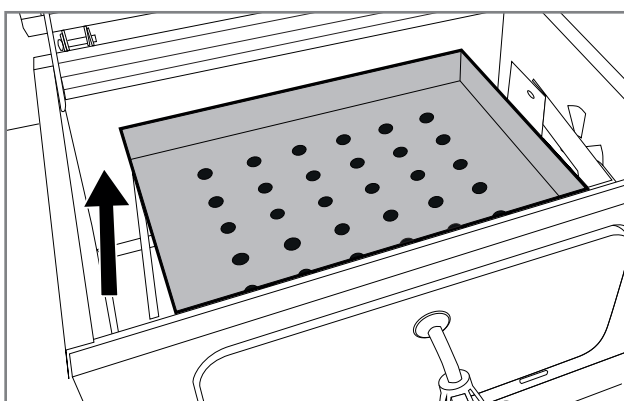
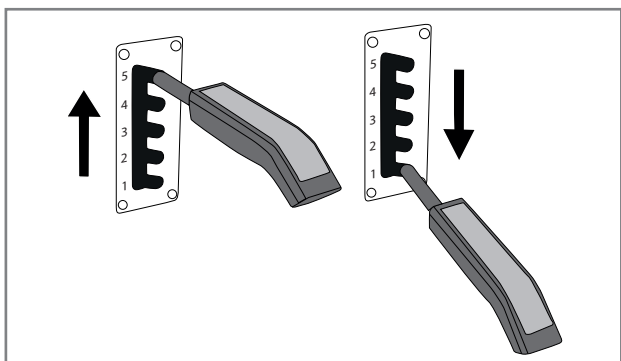
1. Apakšējie gaisa vārsti piegādā gaisu grilam, savukārt augšējie gaisa vārsti to izvada.
2. Apakšējie gaisa vārsti ļauj aptuveni regulēt siltumu.
3. Augšējie gaisa vārsti tiek izmantoti temperatūras precīzai regulēšanai.
4. Ja vēlaties paaugstināt temperatūru, grilā jāielaiž vairāk gaisa (D-E).
5. Ja vēlaties pazemināt temperatūru, attiecīgi jāierobežo grila gaisa padeve (E-D).



## Ogļu pannas pacelšana/nolaišana

Ēdienam izmantoto temperatūru var arī pielāgot, paceļot vai nolaižot ogļu pannu. Augšējā pozīcijā ēdiens ir precīzākā un augstākā temperatūrā, bet apakšējā stāvoklī siltums tiek izplatīts plašākā zonā. Temperatūru ietekmē arī kokogļu daudzums un kvalitāte, kā arī gaisa atveru iestatījums.

Ogļu pannu var pacelt un nolaist attiecīgajā augstumā, izmantojot sešu soļu regulēšanas sviru.



## Kokogļu vai briķešu papildināšana grilēšanas laikā

Ilgstošas gatavošanas gadījumā var būt nepieciešams grilā papildināt kokogles vai briķetes. To var viegli izdarīt, noliekot malā otru grila režģi. Lai grilēšanas laikā pievienotu kokogles vai briķetes, rīkojieties, kā norādīts tālāk.

1. Atveriet vāku.
2. Nolieciet malā otru grila režģi.
3. Pievienojiet kokogles vai briķetes, izmantojot garas grilēšanas stangas un cimdus.
4. Uzlieciet vietā grila režģi.
5. Aizveriet vāku.

**i** Katra grila vāka atvēršanas reize maina grila iekšējo temperatūru, kas var mainīt gatavošanas ilgumu.

## Kokogļu daudzums

Kokogļu daudzumu izvēlieties atbilstoši grilējamam ēdienam un grilēšanas metodei; ja grilējat ātri un augstā temperatūrā, varat izmantot nākamo tabulu.

Grila diametrs	Kokogļu daudzums
< 47 cm	0,3 – 0,5 kg
47 cm	0,6 – 0,8 kg
57 cm	1,0 – 1,2 kg

## Kokogļu daudzums netiešajā grilēšanā

Netiešai grilēšanai zemā temperatūrā grilēšanas laikā ir nepieciešama grila ogļu papildināšana. Izmantojamā grila ogļu daudzuma novērtēšanai var izmantot nākamā tabulu ar norādēm:

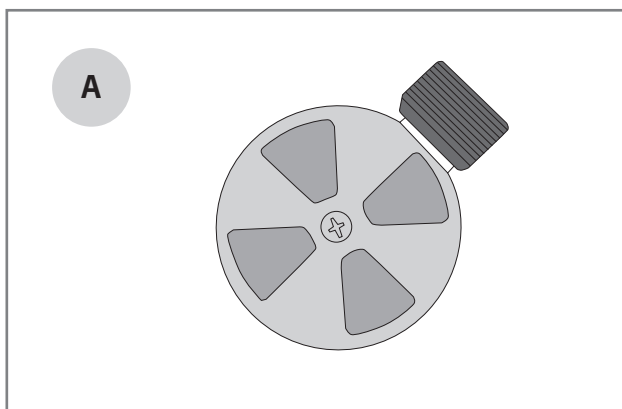
Grila diametrs	Kokogļu daudzums	Papildu ogļu nepieciešamība stundā
< 47 cm	0,2 – 0,3 kg	0,3 kg
47 cm	0,3 – 0,4 kg	0,3 kg
57 cm	0,4 – 0,5 kg	0,4 kg

## Grila izslēgšana

Kad beidzat lietot grilu, izslēdziet to šādi:

1. Aizveriet vāku.
2. Pilnībā aizveriet visus gaisa vārstus (A).
3. Turiet vāku un gaisa vārstus aizvērtus līdz nākamajai dienai, kad ogles noteikti būs izdzisušas un grils būs atdzisis.

**i** Ogļu dzēšanai neizmantojiet ūdeni. Uz karstām oglēm uzliets ūdens var sabojāt grilu.



## Tauku aizdegšanās

No grila pamatnes, sienām, ogļu režģa un grila režģa jānoņem liekie tauki un marināde.

Ja grilā uzkrājas pārāk daudz tauku, tie var aizdegties un izraisīt tauku degšanu, kas var sabojāt grilu, kaitēt videi un izraisīt bīstamu situāciju.

Tas jāņem vērā jo īpaši tad, ja vienlaicīgi grilē lielu daudzumu trekna gaļas, jo no gaļas pilošie tauki uzkrājas grila apakšā.

## Uzliesmošana

Lietojot kokogļu grilu, neliels uzliesmojums ir normāla parādība, un tas arī piešķir ēdieniem garšu. Ja uzliesmojumu ir daudz, tas paaugstina grila iekšējo temperatūru un palielina tauku pilēšanu no grilētā ēdiena. Savukārt tas palielina tauku aizdegšanās risku. Šī iemesla dēļ tiek veikti profilaktiski pasākumi, lai izvairītos no uzliesmojumiem.

1. No gaļas noņemiet liekos taukus.
2. Centieties gatavot gaļu pareizā temperatūrā.
3. Pārliecinieties, ka grila apakšā vai uz tā sienām nav lieku tauku vai marinādes.
4. Kad vien iespējams, turiet vāku aizvērtu.

**i** Grilējot ar aizvērtu vāku, temperatūra ir vienmērīgāka un vieglāk kontrolējama.

# Noderīgi ieteikumi

## Vispārīgi grilēšanas norādījumi

Grilēšana ir ļoti vienkārša un relaksējoša, ja vien atceras dažas mazas nianses un ievēro šos vispārīgos grilēšanas norādījumus.

- **Pagaidiet, līdz grila ogles vai briķetes ir kārtīgi aizdegušas.** Tās ir gatavas, kad ogles ir kļuvušas gaišpelēkas.
- **Grilam jābūt kārtīgi uzkaršētam.** Keramikas apvalks efektīvi saglabā siltumu, tādējādi atvieglojot temperatūras uzturēšanu. Kad grila restes un pannas ir pienācīgi uzkaršētas, tiek samazināta ēdiena saķere un izveidota pienācīga ēdiena gatavošanas virsma.
- **Negrilējiet ar netīru aprīkojumu!** Vecās marinādes un pārtikas atliekas viegli pielip pie režģa un grilējamā ēdiena. Pēc katras lietošanas notīriet grila restes un pannas. Tādā veidā tie ir gatavi nākamajai lietošanai.
- **Novietojiet grila aprīkojumu netālu.** Pareizu grilēšanas laiku un temperatūru ir vieglāk kontrolēt, ja visi nepieciešamie rīki, garšvielas, marinādes un piederumi ir grila tuvumā.
- **Grilējiet ar aizvērtu vāku pēc iespējas biežāk.** Grilējot ar aizvērtu vāku, grila temperatūra nesamazinās un grilēšanas laiks tiek saīsināts.
- **Aproziēt gaļu pēc iespējas retāk,** ar vienu reizi ir pietiekami. Kad ēdiens ilgstoši atrodas uz grila pannas/restēm, uz virsmas izveidojas skaisti brūna virskārta.
- **Termometrs palīdzēs!** Pārāk ilga grilēšana sausina ēdienu un sabojā tā garšu. Lai iegūtu labākos rezultātus, izmantojiet gaļas termometru.
- **Ļaujiet gaļai atpūsties 10–20 minūtes** pirms tās sagriešanas/ēšanas. Gaļai atpūšoties, temperatūra stabilizējas, un, to griežot, neiztek tik daudz šķidrums.

## Marinādes

Marināžu izmantošana ir ļoti izplatīta grilēšanā, un to funkcija ir garšvielu pievienošana ēdienam, lai tas iegūtu vēlamo garšu. Tomēr marinādes izraisa arī pārtikas degšanu uz restēm un pannām. Tāpat taukainas marinādes var izlīt kurtuvē un uz ogļēm un izraisīt nevajadzīgu uzliesmojumu vai pat tauku aizdegšanos. Izmantojot dažus tālāk sniegtos padomus, var samazināt marinādes radītās problēmas.

1. Pirms liekat ēdienu uz grila, mēģiniet noslaucīt marinādes pārpalikumus.
2. Ja grilēšanas laikā pievienojat marinādi, vienmēr izmantojiet grila otiņu. Nelejiet marinādi tieši no pudeles uz ēdiena.
3. Grilēšanas laikā labāk ir izmantot sausas marinādes.

**i** Gatavu ēdienu marinēšanai neizmantojiet marinādi, kas palikusi pēc neapstrādāta produkta marinēšanas. Baktērijas no jēlas gaļas tiek pārnestas uz gatavo ēdienu.

## Izvairīšanās no ēdiena pielipšanas

Ēdiena pielipšana pie grila restēm/pannas ir ļoti pazīstama parādība grilētājiem. Lūk, daži padomi, kas palīdzēs izvairīties no liekas ēdiena pielipšanas.

1. Sakarsējiet grilu līdz pietiekami augstai temperatūrai.
2. Pirms ēdiena ievietošanas grilā notīriet grila restes un pannas.
3. Pirms grila uzlikšanas apsmērējiet grila zonu un grilējamo ēdienu ar eļļu.
4. Izmēģiniet šo metodi: pārgrieziet sīpolu un pirms grilēšanas ar to noslaukiet režģi. Ēdiens nedrīkst palikt iekārtas režģī.
5. Negroziet grilējamo ēdienu pārāk ātri, ļaujiet tā virsmai pienācīgi apcepties.

## Grilēšanas temperatūras norādījumi

Zemāk uzskaitīti lielākajai daļai sastāvdaļu ieteicamie grilēšanas laiki un temperatūras. Grilēšanas laiku var ietekmēt vējš, lietus, āra temperatūra un grila tīrība.



### Liellops

Sastāvdaļa	Biezums / svars	Grilēšanas metode	Grilēšanas laiks
Sarkanās filejas / filejas steiks	aptuveni 2 cm.	Tiešs liels karstums	2,5 – 3,5 min. / puse
Sarkanās filejas / filejas steiks	aptuveni 5 cm.	Tiešs liels karstums Netiešs vidējs karstums	2,5 min. / puse 8–10 min.
Vesela fileja	Aptuveni 1,5 kg.	Tiešs liels karstums Netiešs vidējs karstums	3 min. / puse 20 – 30 min.
Cepetis	Aptuveni 1,5 kg.	Tiešs vidējs karstums Netiešs vidējs karstums	3 – 4 min. / puse 30 – 40 min.
Burģera gaļa	aptuveni 2 cm.	Tiešs liels karstums	2 – 3 min. / puse
Iekšējā temperatūra			
Jēla – gandrīz jēla		47 – 51 °C	
Vidēja		52 – 58 °C	
Gandrīz gatava – gatava		59 – 66 °C	



### Cūkgaļa

Sastāvdaļa	Biezums / svars	Grilēšanas metode	Grilēšanas laiks
Filejas steiks, ribiņa	aptuveni 2 cm.	Tiešs liels karstums	2 – 2,5 min. / puse
Fileja	Aptuveni 600 g.	Tiešs liels karstums Netiešs vidējs karstums	3 min. / puse 20 – 30 min.
Grila ribiņas / ribiņas	Aptuveni 1,5 kg.	Netiešs vidējs karstums Tiešs liels karstums	60 – 90 min. 4 min. / puse
Cūkas kakls	aptuveni 3 cm.	Tiešs vidējs karstums Netiešs vidējs karstums	2,5 – 3 min. / puse 15 – 20 min.
Jēla desa	Aptuveni 400 g.	Tiešs zems karstums	2 – 3 min. / puse
Iekšējā temperatūra			
Gatava fileja		65 – 70 °C	
Nogatavinātas citas sastāvdaļas		65 – 70 °C	



## Vistas un tītara gaļa

Sastāvdaļa	Biezums / svars	Grilēšanas metode	Grilēšanas laiks
Krūtiņas fileja	Aptuveni 200 g.	Tiešs vidējs karstums	5 – 6 min. / puse
Stilbi	Aptuveni 120 g.	Tiešs vidējs karstums	5 – 6 min. / puse
Spārniņi	Aptuveni 500 g.	Tiešs vidējs karstums Netiešs vidējs karstums	6 – 10 min. 30 – 40 min.
Vesels broilers	Aptuveni 900 g.	Netiešs vidējs karstums	60 – 75 min.
Iekšējā temperatūra			
Gatavs		75 °C	



## Zivs

Sastāvdaļa	Biezums / svars	Grilēšanas metode	Grilēšanas laiks
Plāna fileja	Aptuveni 200 g.	Tiešs vidējs karstums	2 – 3 min. / puse
Bieza fileja	Aptuveni 120 g.	Tiešs vidējs karstums	5 – 6 min. / puse
Vesela zivs	Aptuveni 500 g.	Netiešs vidējs karstums	20 – 30 min.
Iekšējā temperatūra			
Sārta		45 – 50 °C	
Pilnīgi gatava		55 – 60 °C	



## Dārzeni

Sastāvdaļa	Biezums / svars	Grilēšanas metode	Grilēšanas laiks
Nobriedusi kukurūza		Tiešs vidējs karstums	6 min.
Tomāti		Tiešs vidējs karstums	6 min. / puse
Spārģeļi		Tiešs vidējs karstums	3 – 5 min.
Kartupeļu šķēlītes		Tiešs vidējs karstums Netiešs vidējs karstums	5 – 8 min. 10 – 15 min.
Svaigi kartupeļi		Netiešs vidējs karstums	45 – 60 min.



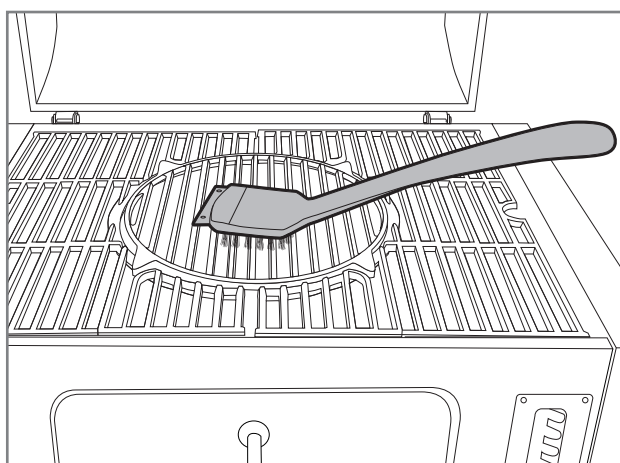
# Grila tīrīšana un glabāšana

Grila kalpošanas laiks tiks ievērojami paildzināts, ja regulāri rūpēsities par grila tīrīšanu un apkopi. Ja grils pietiekami neuzkarst vai ēdiens viegli pielip pie pannas, grils nav tīrīts vai uzturēts atbilstoši norādījumiem.

## Grila restes un pannas

Grila restes un pannas vienmēr jānotīra uzreiz pēc lietošanas, kamēr grils vēl ir silts. Grila tīrīšanai izmantojiet grila tīrīšanas birsti vai lāpstiņu.

Grila restes un pannas var mazgāt arī ar maigu mazgāšanas līdzekli un siltu ūdeni. Neaizmirstiet pēc mazgāšanas kārtīgi nosusināt un ieeļļot grila restes un pannas.



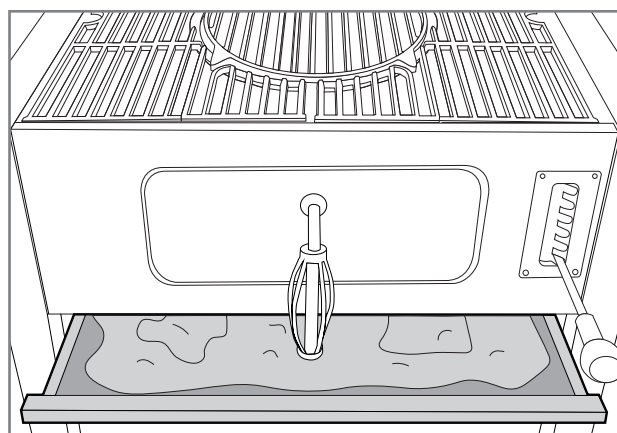
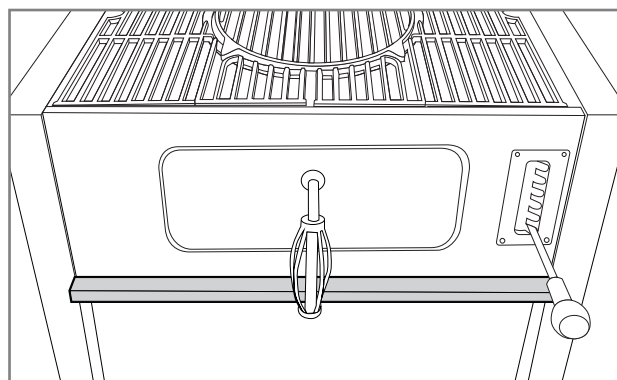
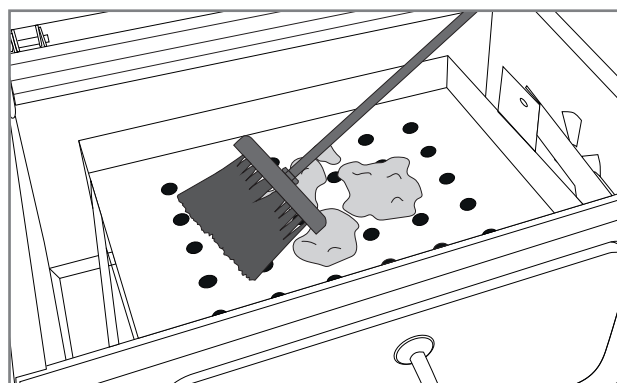
**i** Tīrīšanai neizmantojiet metināšanas tērauda birsti. Garantija neattiecas uz bojājumiem, kas radušies tērauda birstes lietošanas dēļ.

## Atbrīvošanās no pelniem

Kad ogles ir droši nodzēstas un grils ir atdzisis, var izņemt pelnus un notīrīt pannu.

Smalkie pelni mitrā gaisā var samirkt un izraisīt ogļu pannas koroziju. Neaizmirstiet regulāri notīrīt ogļu pannu.

Notīriet ogļu pannu, piemēram, ar birsti, un aizvāciet pelnus ar pelnu trauka palīdzību.



## Grila ārējās virsmas un tērauda daļas

Arī grila ārējās virsmas un citas tērauda daļas ir regulāri jātīra. Šīm detaļām var izmantot šādas vispārīgas vadlīnijas.

1. Grila tērauda daļas notīriet ar "Mustang" grila tīrīšanas līdzekli vai maigu trauku mazgāšanas līdzekli un tīrīšanas drānu.
2. Neaizmirstiet rūpīgi nosusināt notīrītās detaļas.
3. Brīdinājuma teksta virsmu tīrīšanai nelietojiet mazgāšanas līdzekļus, jo tie var atvienot tekstus vai citus drošības marķējumus.
4. Vismaz trīs reizes gadā notīriet visas grila ārējās virsmas, lai novērstu netīrumu pielipšanu pie virsmām.
5. Vienmēr pārbaudiet jauna tīrīšanas līdzekļa piemērotību neuzkrītošā vietā.

**i** **Hlors un sāls var izraisīt grila rūšēšanu. Ja grilu izmanto jūras vai peldbaseina tiešā tuvumā, grils ir jātīra katru nedēļu.**

## Apkope

Tērauda detaļas 2–3 reizes gadā jāapstrādā ar tirdzniecībā pieejamām tērauda apstrādes eļļām. Tas novērš netīrumu un rūsas plankumu veidošanos uz tērauda virsmām.

Neaizmirstiet pirms lietošanas pārbaudīt eļļas piemērotību, piemēram, izmēģinot eļļu mazāk redzamā vietā.

Regulāri pārbaudiet ratu, gaisa vārstu un rokturu skrūvju pievilkumu. Lielu temperatūras svārstību grilā rezultātā skrūves var kļūt vaļīgākas.

Divreiz gadā ar universālu eļļu ieeļļojiet eņģu kustīgās tērauda daļas.

**i** **Pievilkšanai neizmantojiet elektrisko skrūvgriezi, jo tas var sabojāt skrūves vai citas tērauda detaļas. Garantija neattiecas uz bojājumiem, ko izraisījusi skrūvju pārmērīga pievilkšana.**

## Glabāšana

Skatiet šos norādījumus, ja ilgāku laiku nelietojat grilu vai vēlaties novietot grilu glabāšanai ziemas sezonai. Pareizi glabāts grila aprīkojums paildzina grila kalpošanas laiku un gadu no gada uztur to darba kārtībā. Glabājot grilu, ievērojiet šādas norādes:

1. Rūpīgi notīriet grilu saskaņā ar lietošanas pamācībā sniegtajiem norādījumiem.
2. Pārlicinieties, ka visas grilēšanas restes un pannas ir ieeļļotas.
3. Ja grils tiek glabāts ārā, noņemiet no grila režģus un pannas. Šīs daļas ir jāglabā sausā un siltā vietā. Lai izvairītos no virsmu saskrāpēšanas, šīs detaļas ir atsevišķi jāietin, piemēram, avīzē.
4. Ja grilu glabājat ārā, iegādājieties kvalitatīvu aizsargpārklājumu, kas to nosedz līdz pat apakšējai malai. Neaizmirstiet nodrošināt gaisa cirkulāciju arī zem pārsega.

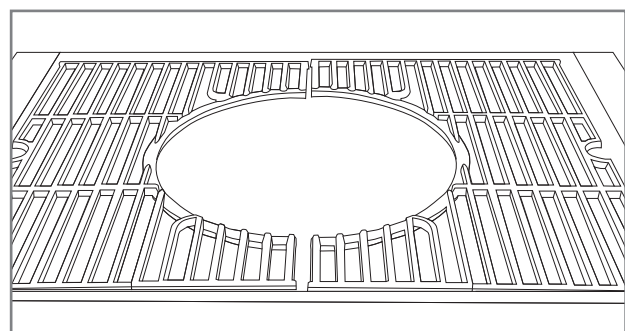
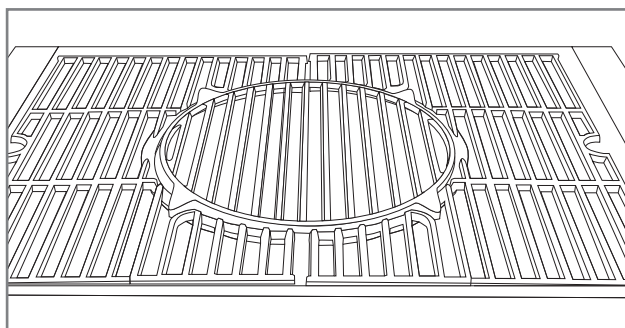
**i** **Neglabājiet grilu vietās, kur tam no jumta var uzkrīst sniegs. Garantija neattiecas uz sniega un ledus izraisītiem bojājumiem.**

# Multigrill un piederumi

## Čuguna Multigrill grilēšanas sistēma

Daži modeļi pēc standarta tiek piegādāti ar Multigrill grilēšanas sistēmu, kas ir pieejama ar dažādiem cepšanas piederumiem.

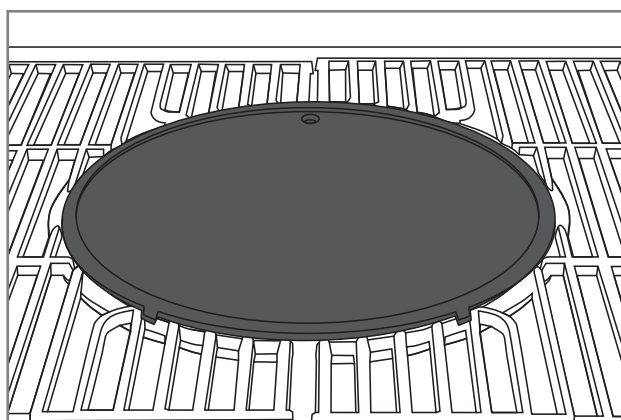
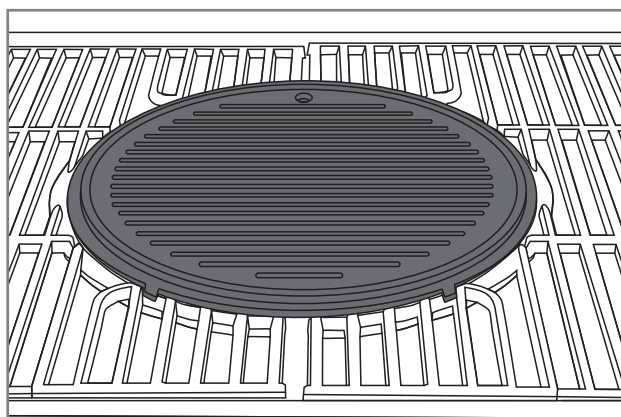
Modeļiem, kuriem nav Multigrill grilēšanas sistēmas, dažus piederumus var izmantot tieši uz grila restēm.



## Čuguna restes

Preces kods: 603434

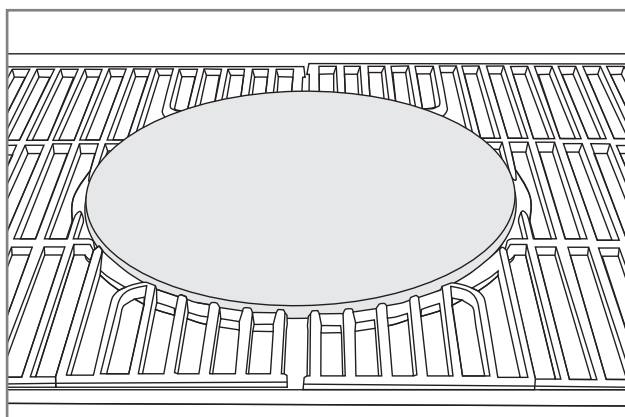
Restu viena puse ir rievota, bet otra – gluda. Ø 30 cm.



## Cepšanas akmens / picas akmens

Preces kods: 316871

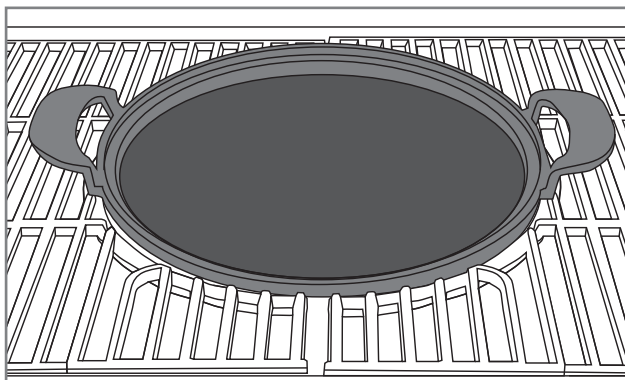
“Mustang” cepšanas akmens Ø 30,5 cm ir izgatavots no izturīga kordierīta akmens. Cepšanas akmeni var izmantot kā maizes, pīrāgu un picu cepšanas paplāti.



## Zemā čuguna panna

Preces kods: 603435

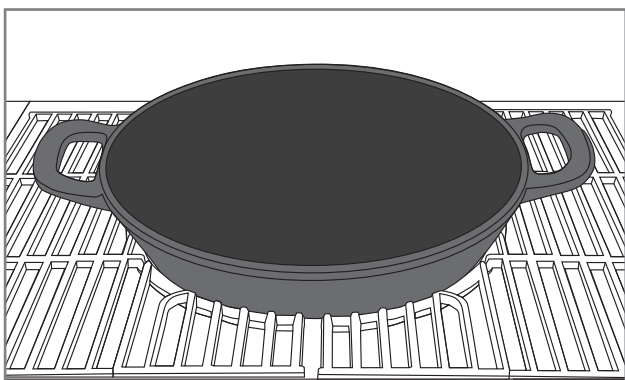
Zemajā čuguna pannā var viegli izcept ļoti dažādus produktus. Pannu var viegli nocelt no grila, izmantojot praktiskos pacelšanas rokturus. Ø 30 cm.



## Čuguna vokpanna

Preces kods: 603438

Mustang čuguna vokpannā uz grila var pagatavot dažādus dārzeņus un citus ēdienus. Izmantojot pacelšanas rokturus, var viegli pārvietot pannu. Ø 30 cm.



# Problēmu novēršana

Visiem griliem var būt darbības traucējumi. Šie defekti parasti ir viegli novēršami. Ja tālākajā diagrammā neatrodāt atbildi uz savu problēmu, sazinieties ar izplatītāju.

Problēma	Iespējamais iemesls	Risinājums
Gaisa vārsti nedarbojas pareizi.	Gaisa vārstu skrūves ir pārāk cieši pievilktas.	Atskrūvējiet gaisa vārstu skrūves.
	Vārsti ir aizsērējuši netīrumu un smērvielu dēļ.	Atskrūvējiet vārstu skrūves un iztīriet vārstus.
Grils neiekuras.	Gaisa vārsti ir aizvērti.	Atveriet gaisa vārstus.
	Ogles vai briketes ir mitras.	Aizstājiet ogles vai briketes ar jaunām.
Grils nekļūst pietiekami karsts.	Liesma nesaņem pietiekami daudz skābekļa.	Pilnībā atveriet apakšējos gaisa vārstus.
	Ogļu daudzums ir nepietiekams.	Pievienojiet vairāk ogļu un atveriet apakšējos gaisa vārstus.
Grils kļūst pārāk karsts.	Liesma saņem pārāk daudz skābekļa.	Aizveriet gaisa vārstus un pagaidiet, līdz ogles kļūst blāvākas. Kad temperatūra ir pazeminājusies, nedaudz atveriet gaisa vārstus. Ja nepieciešams, vēlreiz aizdedziniet grilu.

# Garantija

“Mustang” ogļu griliem ir vismaz 12 mēnešu ražošanas un materiālu garantija. Tomēr garantijas nosacījumi atšķiras atkarībā no modeļa, tāpēc, lai uzzinātu jaunākos garantijas noteikumus un nosacījumus, lūdzu, apmeklējiet mūsu tīmekļa vietni.

**mustang-grill.com**

Saistībā ar visiem garantijas jautājumiem jums būs nepieciešams uzrādīt čekus, kas apliecina pirkuma vietu un datumu.



# MUSTANG

LT

**Naudotojo vadovas**

---

# Sveiki atvykę į „Mustang“ kepsninių pasaulį

Džiaugiamės, kad nusprendėte pasirinkti „Mustang“ kepsninę. „Mustang“ nori tapti jūsų grilio draugu ir suteikti svajonių potyrius naudojantis kepsnine. „Mustang“ atsirado iš noro atsipalaidavus ir neskubant mėgautis maisto gamyba su šeima ar draugais, tad tą pačią idėją norime pasiūlyti ir jums.

„Mustang“ kepsninės ir priedai yra rūpestingai planuojami ir gaminami, tad galime drąsiai jais didžiuotis. Mūsų ilgalaikė patirtis ir profesionalumas regimi kiekviename mūsų gaminyje, kurie turi visas svarbiausias funkcijas bei savybes. Esame tikri, kad ši kepsninė jus džiugins ilgą laiką, tik svarbu nepamiršti jos prižiūrėti ir valyti pagal šio naudojimo vadovo instrukcijas.

## Visapusiškas kepsninių asortimentas

„Mustang“ yra Suomijos įmonei „Tammer Brands Oy“ priklausantis prekės ženklas. „Mustang“ siūlo visą kepsninių įrangą, priedus, reikmenis ir atsargines dalis bei platų rūkymui ir picų kepimui skirtų gaminių pasirinkimą. Puikiai pažįstame kepsninių kultūrą, tad galime užtikrintai pasiūlyti pačius tinkamiausius ir šiuolaikiškiausius gaminius. Taigi, „Mustang“ yra toks prekės ženklas, kurio vieno pakanka sėkmingam maisto ruošimui kepsninėje.

## Klientų aptarnavimas

Tammer Brands Oy,  
Tel. +358 3 252 1111  
Viinikankatu 36,  
33800 Tampere, Suomija

**TAMMER**  
BRANDS | EST 1954

[mustang-grill.com](http://mustang-grill.com)



Prieš naudodami kepsninę atidžiai perskaitykite naudojimo instrukcijas ir jas išsaugokite vėlesnėms reikmėms.

Sekite mus socialiniuose tinkluose



**mustanggrill**

# Turinys

<b>Surinkimo nurodymai</b> .....	3
Prieš surinkimą .....	7
<b>Saugos instrukcijos ir įspėjimai</b> .....	170
Kepstinės naudojimo vieta .....	170
Bendrosios saugos instrukcijos .....	171
<b>Anglinės kepsninės naudojimas</b> .....	172
Veiksmai prieš pirmą naudojimą .....	172
Veiksmai prieš kiekvieną naudojimą .....	172
Anglinės kepsninės užkūrimas degtuku arba ilgu žiebtuvėliu .....	172
Anglinės kepsninės užkūrimas cilindrinio uždegikliu .....	173
Kepimas aukštoje temperatūroje .....	174
Kepimas žemoje temperatūroje .....	174
Netiesioginis kepimas .....	174
Kepimas .....	175
Bendrosios temperatūros reguliavimo instrukcijos .....	175
Anglių grotelių pakėlimas / nuleidimas .....	176
Anglių arba briketų papildymas kepimo metu .....	176
Kepstinės anglių kiekis .....	176
Kepstinės anglių kiekis kepant netiesioginiu būdu .....	177
Kepstinės užgesinimas .....	177
Degantys riebalai .....	177
Ugnies įsiliepsnojimas .....	177



<b>Naudingi patarimai</b> .....	178
Bendrosios kepimo instrukcijos .....	178
Marinatai .....	178
Ką daryti, kad maistas nepriliptų .....	178
Kepimo temperatūrų vadovas .....	179
<b>Kepsninės išvalymas ir sandėliavimas</b> .....	181
Kepsninės ir kepimo grotelės .....	181
Pelenų išvalymas .....	181
Kepsninės išorinis paviršius ir metalinės dalys .....	182
Techninė priežiūra .....	182
Laikymas .....	182
<b>„Multigrill“ ir priedai</b> .....	183
„Multigrill“ kepimo ant grotelių sistema iš ketaus .....	183
Kepimo / picos akmuo .....	183
Kepimo grotelės iš ketaus .....	183
Žema ketaus keptuvė .....	184
Kiniška ketaus keptuvė .....	184
<b>Trikčių diagnostika</b> .....	185
<b>Garantija</b> .....	185

## Saugos instrukcijos ir įspėjimai

Jei naudosite šią anglinę kepsninę, prieš naudojimą privalote atidžiai perskaityti ir atkreipti dėmesį į šiame naudojimo vadove pateiktus įspėjimus bei saugos nurodymus. Ši kepsninė pagaminta pagal standartą EN1860-1.

Simbolių paaiškinimas



PAVOJUS!



DĖMESIO!

### Kepsninės naudojimo vieta



Ši kepsninė numatyta naudoti tik lauke, jos niekada nenaudokite vidaus patalpose arba uždaroje vietoje. Peržiūrėkite toliau pateiktus svarbius dalykus.

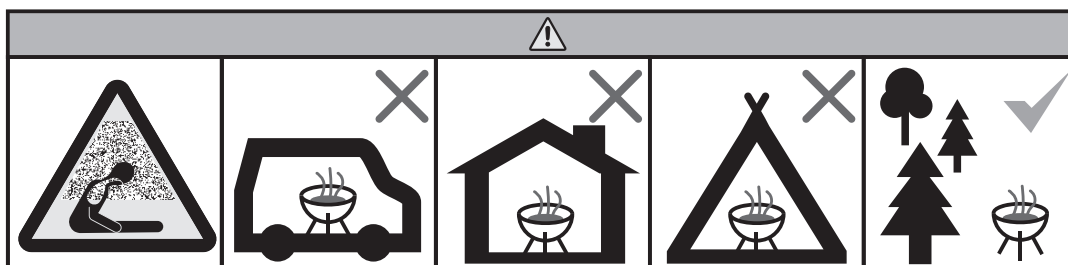
- Kepsninę naudokite tik lauke.
- Nestatykite kepsninės prie sienos, garaže, kemperyje, turistiniame namelyje, kitose uždaroje ar vidaus patalpose.
- Pasirūpinkite, kad kepsninė būtų pastatyta ne mažiau nei dviejų metrų atstumu nuo degių medžiagų.
- Kepsninės negalima statyti po tentu ar skėčiu nuo saulės, kad jų neuždegtų.
- Pasirūpinkite, kad prie kepsninės būtų gaisro gesinimo audeklas / rankinis gesintuvas ir pirmosios pagalbos vaistinė.
- Kepsninę reikia pastatyti ant horizontalaus, karščiui atsparaus pagrindo, nes naudojimo metu iš kepsninės gali tykšti arba varvėti karšti purslai.
- Kepsninės negalima statyti ant lengvai pažeidžiamo paviršiaus arba netoli jo, nes įprasto naudojimo metu iš jos gali lašėti arba tekėti riebalai ir marinatas.
- Kepsninės nenaudokite kaip ugniakuro.



Pastačius kepsninę instrukcijų neatitinkančioje vietoje gali kilti gaisro pavojus.



Naudojant kepsninę vidaus ar uždaroje patalpose kyla pavojus apsinuodyti smulkėmis.



## Bendrosios saugos instrukcijos



**Anglinės kepsninės naudojimas ne pagal paskirtį gali sukelti pavojų, be to, draudžiama atlikti net ir smulkausius kepsninės konstrukcijos pakeitimus. Peržiūrėkite toliau pateiktus svarbius dalykus.**

- Tiksliai laikykitės surinkimo instrukcijų ir žinokite, kad surinkus kepsninę negali likti nepanaudotų detalių. Nesilaikant instrukcijų arba nesudėjus visų detalių, vėliau gali kilti problemų naudojimo metu. Už tinkamą kepsninės surinkimą atsako naudotojas.
- Naudokite tik standartą EN1860-3 atitinkančius uždegiklius. Užkūrimui nenaudokite spirito, benzino, alkoholio ar kitų panašių cheminių medžiagų.
- Būkite atsargūs pildami degų skystį ant anglių. Degus skystis jokių būdu negali per anglis nukelti ant žemės. Ant žemės išsiliejęs skystis gali užsidegti po įkaitusia kepsnине.
- Nepilkite degaus skysčio ant degančių anglių arba žarijų.
- Naudojama kepsninė įkaista, tad būkite ypatingai budrus, jei netoliese būtų vaikų, senyvų žmonių ar naminių augintinių.
- Kepsninei labiausiai tinka lapuočių medienos anglis arba kepsninių briketai.
- Kepsninės negalima kūrenti malkomis.

- Prie pat kepsninės negalima laikyti lengvai užsidegančių medžiagų ar skysčių,
- Atkreipkite dėmesį, kad naudojant kepsninę išsiskiria dūmai - nestatykite jos prie atvirų langų.
- Naudojimo metu kepsninės negalima palikti be priežiūros.
- Nepamirškite mūvėti karščiui atsparių kepsninės naudotojo pirštinių.
- Nenaudokite vandens kepsninei užgesinti. Kepsninę užgesinkite užslopindami žarijų degimą.
- Jei kepsninė naudojama arba dar įkaitusi po naudojimo, nejudinkite jos iš vietos.
- Prieš naudojimą visada patikrinkite, ar nėra pažeistų arba susidėvėjusių dalių ir, jei reikia, jas pakeiskite.
- Nenaudokite kepsninės, jei ji neveikia taip, kaip reikia.
- Neleiskite vaikams naudoti kepsninės.
- Alkoholis, receptiniai vaistai ir įvairios svaiginamosios medžiagos gali paveikti gebėjimą saugiai ir tinkamai naudoti kepsninę.



**Kai atidarote kepsninės dangtį, pirmiau jį atsargiai šiek tiek praverkite, kad žarijos lėtai ir saugiai gautų deguonies. Taip išvengsite liepsnos pliūpsnio ir kepsninei nebus padaryta žala.**

# Anglinės kepsninės naudojimas

## Veiksmai prieš pirmą naudojimą

Pirmo naudojimo tikslas - patikrinti kepsninės veikimą, pažiūrėti, ar dėl šiluminio plėtimosi neatsilaisvins metalinės dalys.

1. Patikrinkite, ar kepsninė tikrai surinkta pagal surinkimo instrukcijas.
2. Užkurkite kepsninę pagal instrukcijas.
3. Palaukite, kad anglis sudegs ir visiškai atvės.
4. Patikrinkite visus varžtus ir, jei reikia, priveržkite juos.
5. Dabar kepsninė jau paruošta naudoti.

**i** Nenaudokite kepsninės, jei ji pažeista arba trūksta reikiamų dalių.

**i** Nedėkite per daug anglių, nes per didelės karštis gali sugadinti kepsninę.

## Veiksmai prieš kiekvieną naudojimą

Norint kepsninę naudoti saugiai ir tinkamai, reikia prieš kiekvieną naudojimą patikrinti kelis dalykus. Atidžiai peržiūrėkite toliau pateiktą tikrinimų sąrašą.

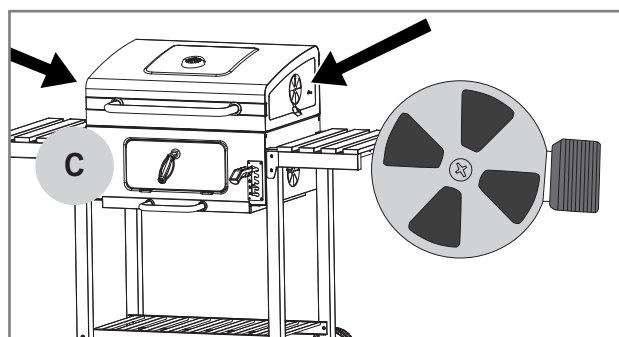
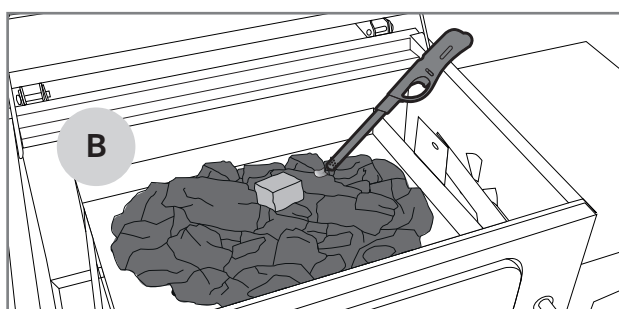
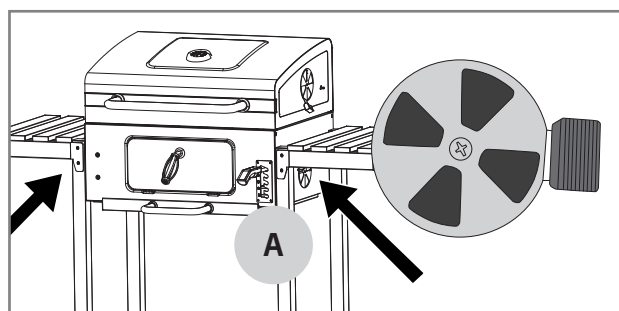
1. Patikrinkite, ar kepsninei vieta parinkta pagal naudojimo instrukcijas.
2. Patikrinkite, ar prie pat kepsninės nėra lengvai užsidegančių medžiagų arba skysčių.
3. Iš ugniakuro išvalykite po ankstesnio naudojimo likusius pelenus.
4. Išvalykite kepsninės / kepimo groteles, sutepkite jas augaliniu aliejumi.
5. Užkurkite kepsninę pagal instrukcijas.

**!** Nenaudokite kepsninės, jei ji pažeista arba trūksta reikiamų dalių.

## Anglinės kepsninės užkūrimas degtuku arba ilgu žiebtuvėliu

Anglinei kepsninei galima naudoti tik lapuočių medienos anglį arba briketus. Užkūrimui naudokite tik standartą EN1860-3 atitinkančius uždegiklius.

1. Atidarykite kepsninės dangtį ir išimkite groteles.
2. Ant anglies grotelių užpilkite maždaug 3 saujas anglių.
3. Į anglis įdėkite „Mustang“ uždegimo kubelį.
4. Iki galo atidarykite apatines oro sklendes (A).
5. Uždekite uždegimo kubelius degtuku arba ilgu žiebtuvėliu (B).
6. Kai užsidega degikliai, uždarykite dangtį ir visiškai atidarykite viršutinius oro vožtuvus (C).
7. Kai žarijos arba briketai taps šviesiai pilkos spalvos - žarijos bus paruoštos kepimui.
8. Nustatykite oro sklendes norimoje padėtyje.
9. Kepsninė paruošta naudoti.



**i** Nekūrenkite kepsninės malkomis ar kita mediena. Netinkamo kuro naudojimas gali sugadinti kepsninę ir tokiems pažeidimams garantija nebus taikoma.

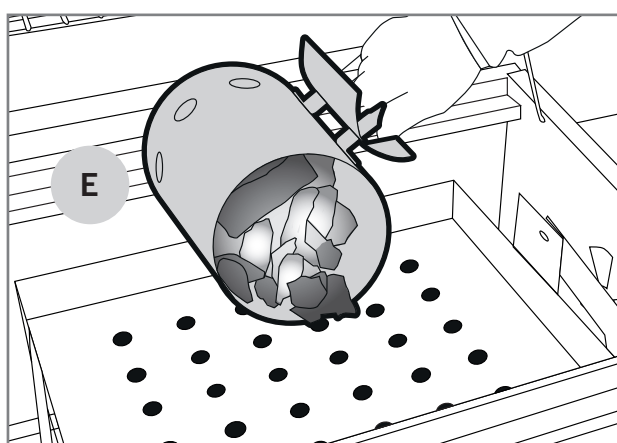
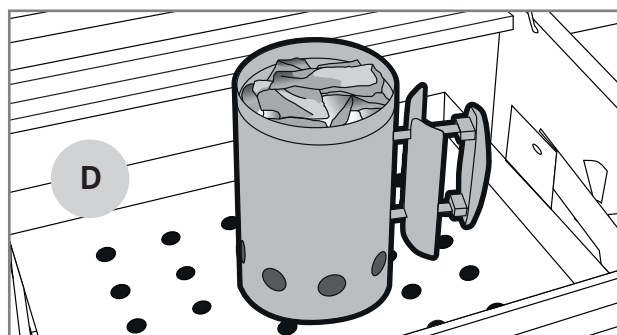
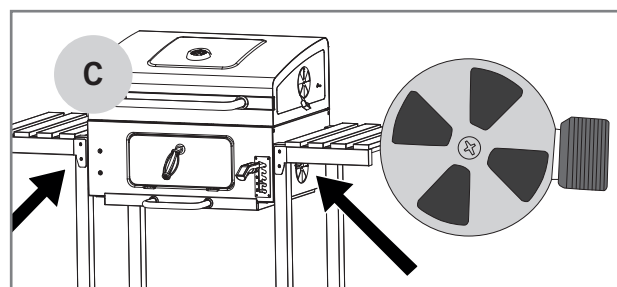
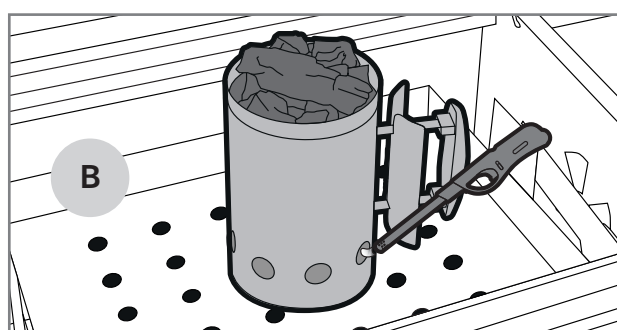
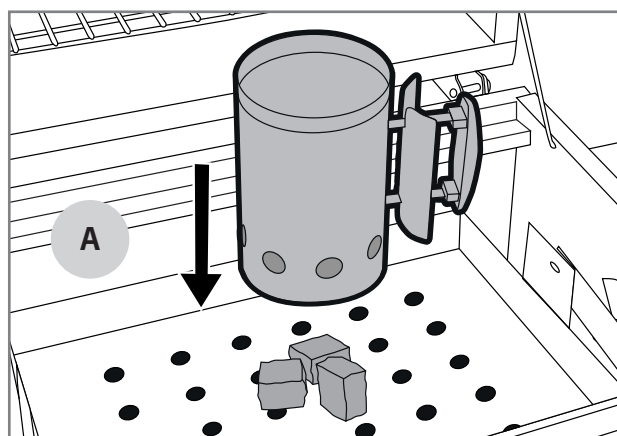
**i** Kepsninės užkūrimui nenaudokite benzino, spirito ar kitų panašių cheminių medžiagų.

**i** Būkite atsargūs pildami degų skystį ant anglių. Degus skystis jokia būdu negali per anglis nutekėti ant žemės. Garantija nebus netaikoma kepsninei ar jos aplinkai dėl išsiliejusio degaus skysčio padarytai žalai.

## Anglinės kepsninės užkūrimas cilindrinio uždegiklio

Norint greitai pradėti kepimą, galima naudoti cilindrinį uždegiklį „Mustang“ cilindrinis uždegiklis parduodamas atskirai.

1. Atidarykite kepsninės dangtį ir išimkite groteles.
2. Ant anglies grotelių padėkite kelis „Mustang“ uždegimo kubelius (A).
3. Pastatykite uždegiklį tiesiai ant uždegimo kubelių.
4. Užpildykite cilindrinį uždegiklį „Mustang“ kepsnių anglimis arba briketais.
5. Ilgu degtuku arba žiebtuvėliu uždekite uždegimo kubelius per cilindrinio uždegiklio oro angas (B).
6. Iki galo atidarykite apatines oro sklendes (C).
7. Anglys / briketai bus paruošti naudoti, kai cilindrinio uždegiklio viršuje pasirodys liepsnos (D).
8. Degančias anglis / briketus atsargiai supilkite ant anglies grotelių (E). Nepamirkite kepsninės naudotojo pirštinių.
9. Uždarykite dangtį ir nustatykite oro sklendes norimoje padėtyje.
10. Kepsninė paruošta naudoti.



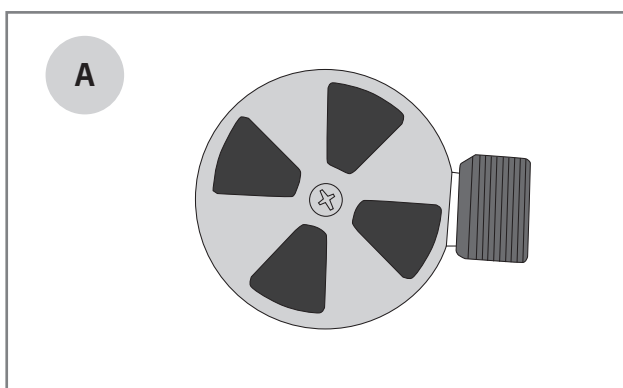
## Kepimas aukštoje temperatūroje

Greitai iškepamiems patiekalams paprastai reikia aukštesnės, 220-300 °C temperatūros. Tokiu būdu produktų paviršius taps traškus, o vidus liks sultingas.

1. Užkurkite kepsninę pagal instrukcijas.
2. Stebėkite dangčio termometro rodomą temperatūrą.
3. Kai bus pasiekta reikiama temperatūra, palikite visiškai atidarytas visas oro sklendes (A).
4. Dabar kepsninė jau paruošta naudoti.



**Kepsninės dangtį atidarykite atsargiai, kad žarijos lėtai ir saugiai gautų deguonies. Taip išvengsite liepsnos pliūpsnio ir kepsninei nebus padaryta žala.**



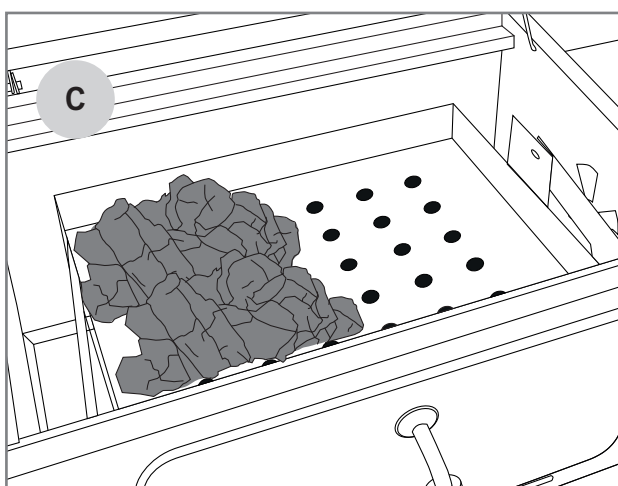
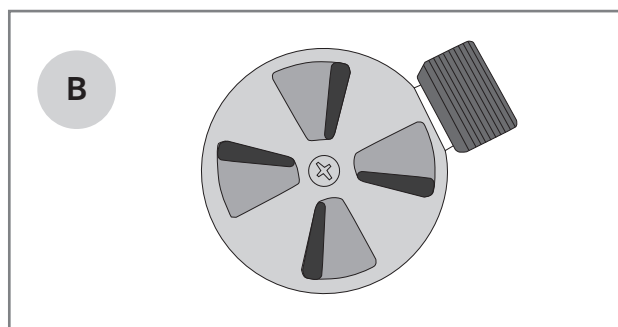
## Kepimas žemoje temperatūroje

Didelius mėsos gabalus rekomenduojama kepti ilgiau žemoje temperatūroje, kad mėsa būtų minkšta ir neišsausėtų. Žema kepimo temperatūra taip pat tinka jautresniems produktams. Kepimo žemoje temperatūroje instrukcija

1. Užkurkite kepsninę pagal instrukcijas.
2. Stebėkite dangčio termometro rodomą temperatūrą.
3. Kai bus pasiekta reikiama temperatūra, kuo sandariau uždarykite visas oro sklendes (B).
4. Galite sumažinti tiesioginį karštį perkeldami anglis tik į vieną kraštą (C).
5. Dabar kepsninė jau paruošta naudoti.



**Reguliuodami oro sklendes nepamirškite mūvėti karščiui atsparių pirštinių.**



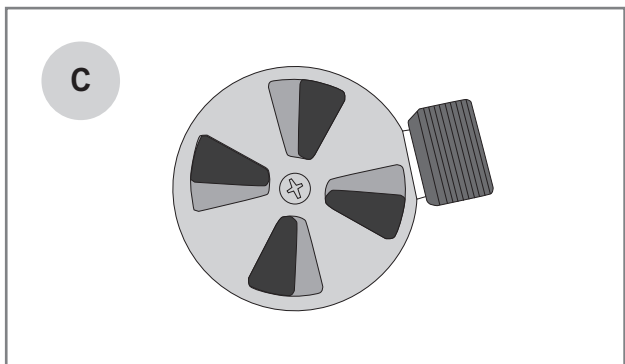
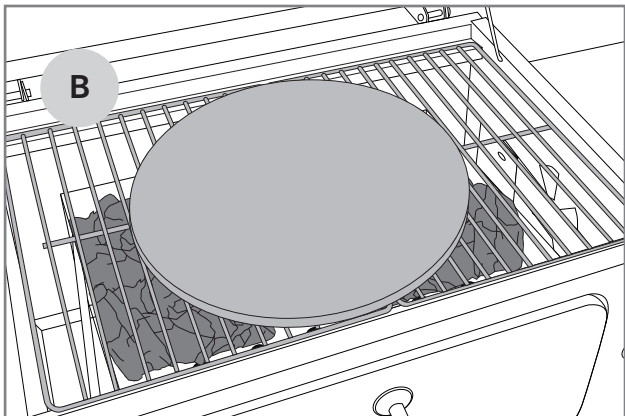
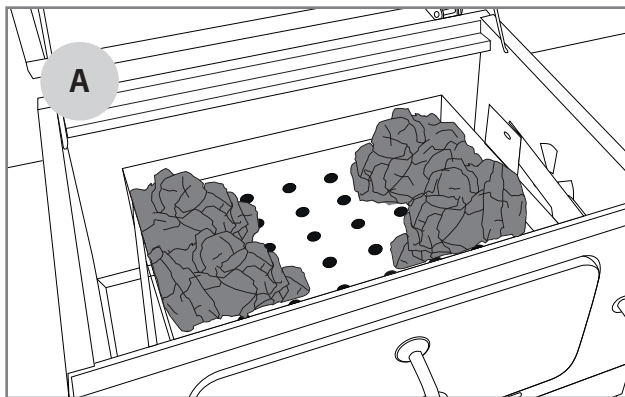
## Netiesioginis kepimas

Netiesioginiu būdu galima kepti patiekalus, kuriems reikia ilgesnio paruošimo laiko, pavyzdžiui, didelius kepsnius, vištieną ir žuvį. Netiesioginiu būdu baigiami kepti tiesioginėje kaitroje apskrudinti mėsos gabaliukai. Kepant netiesioginiu būdu anglis dedamos tik vienoje anglies grotelių pusėje (C).

## Kepimas

Anglinėje kepsninėje galima puikiai kepti ir ant kepimo akmens. „Mustang“ kepimo akmenys parduodami atskirai.

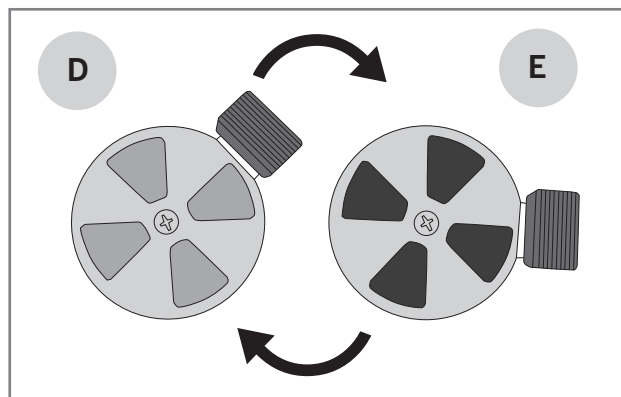
1. Sudėkite anglis abiejuose anglies grotelių kraštuose (A).
2. Užkurkite kepsninę pagal instrukcijas.
3. Kai uždegimo kubeliai sudegs, atidarykite dangtį ir įdėkite kepimo akmenį (B).
4. Uždarykite dangtį, palikite visiškai atidarytas oro sklendes, kad žarijos gerai įsidegtų.
5. Stebėkite dangčio termometro rodomą temperatūrą.
6. Kai bus pasiekta pageidaujama temperatūra, Nustatykite visas oro sklendes vidurinėje padėtyje (C).
7. Dabar kepsninė jau paruošta naudoti.



## Bendrosios temperatūros reguliavimo instrukcijos

Anglinės kepsninės temperatūra reguliuojama keičiant tiekiamo oro kiekį. Temperatūra taip pat priklauso nuo kepimo anglių kiekio ir rūšies. Toliau išvardyti svarbiausi temperatūros reguliavimo veiksniai.

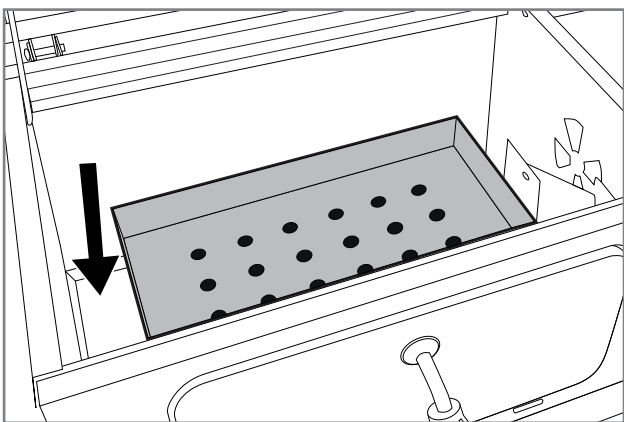
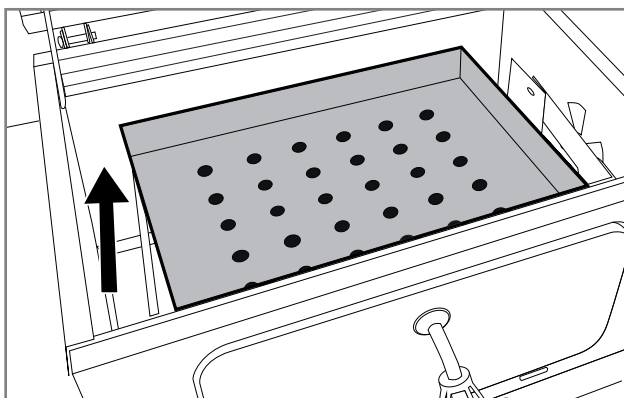
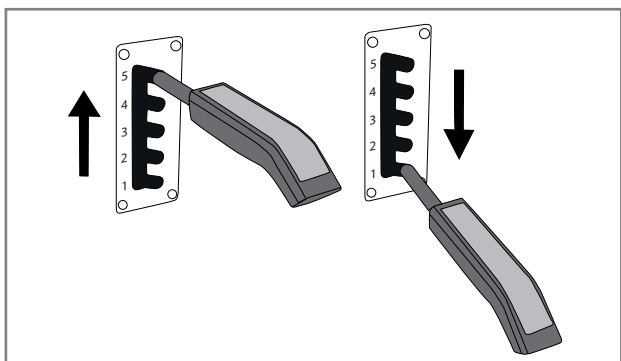
1. Apatiniai oro vožtuvai tiekia orą į grillį, o viršutiniai oro vožtuvai jį pašalina.
2. Apatinėmis oro sklendėmis temperatūra reguliuojama ne taip tiksliai.
3. Viršutiniai oro vožtuvai naudojami temperatūrai tiksliai sureguliuoti.
4. Jei norite padidinti temperatūrą, į kepsninę reikia įleisti daugiau oro (D-E).
5. Jei norite sumažinti temperatūrą, reikėtų atitinkamai apriboti oro patekimą į kepsninę (E-D).



## Anglių grotelių pakėlimas / nuleidimas

Patiekalų temperatūrą taip pat galima reguliuoti pakeliant ir nuleidžiant anglių grotelės. Viršutinėje padėtyje maistą veikia tikslesnis ir didesnis karštis, o apatinėje padėtyje šiluma pasiskirsto didesniame plote. Temperatūra taip pat priklauso nuo kepimo anglių kiekio ir rūšies bei oro sklendžių naudojimo.

Anglių grotelės į reikiamą aukštį pakeliamos ir nuleidžiamos šešių pakopų reguliavimo svirtelė.



## Anglių arba briketų papildymas kepimo metu

Kai kepimo trukmė ilga, gali tekti įdėti papildomų anglių arba briketų. Tai lengva padaryti patraukus antrąsias grotelės į šoną. Norėdami įdėti anglių ar briketų kepimo metu elkitės šitaip:

1. Atidarykite dangtį.
2. Patraukite antrąsias grotelės į šoną.
3. Su ilgomis žnyplėmis ir kepsninės naudotojo pirštinėmis įdėkite anglių arba briketų.
4. Įstatykite grotelės atgal į vietą.
5. Uždarykite dangtį.

**i** Kaskart atidarius kepsninės dangtį pakinta vidaus temperatūra, dėl to gali pasikeisti kepimo trukmė.

## Kepsninės anglių kiekis

Anglių kiekį pasirinkite atsižvelgdami į kepamus produktus ir kepimo būdą; jei kepatė aukštoje temperatūroje ir greitai, galite naudoti toliau pateiktą lentelę:

Kepsninės skersmuo	Kepsninės anglių kiekis
< 47 cm	0,3 – 0,5 kg
47 cm	0,6 – 0,8 kg
57 cm	1,0 – 1,2 kg



## Kepsninės anglių kiekis kepat netiesioginiu būdu

Keptant netiesioginiu būdu žemoje temperatūroje, reikės pridėti anglių kepimo metu. Norėdami apskaičiuoti kepsninės anglių kiekį, galite pasinaudoti šia orientacine lentele:

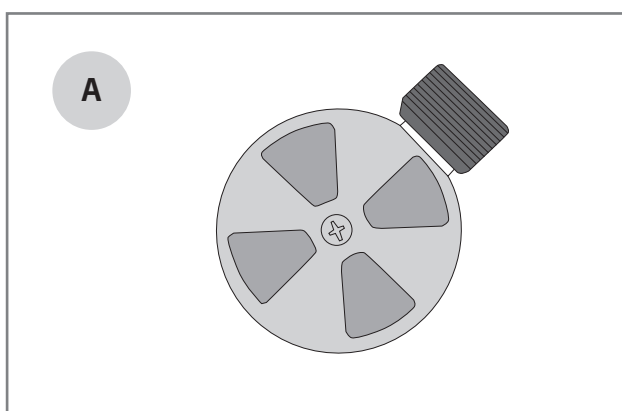
Kepsninės skersmuo	Kepsninės anglių kiekis	Papildomų anglių poreikis per valandą
< 47 cm	0,2 – 0,3 kg	0,3 kg
47 cm	0,3 – 0,4 kg	0,3 kg
57 cm	0,4 – 0,5 kg	0,4 kg

## Kepsninės užgesinimas

Baigę naudoti kepsninę, užgesinkite ją šitaip:

1. Uždarykite dangtį.
2. Visiškai uždarykite visas oro sklendes (A).
3. Palikite uždengtą dangtį ir uždarytas oro sklendes iki kitos dienos, kad žarijos tikrai užgestų, o kepsninė atvėstų.

**i** Nenaudokite vandens žarijoms užgesinti. Ant karštų žarijų užpiltas vanduo gali apgadinti kepsninę.



## Degantys riebalai

Nuo kepsninės dugno, sienelių, anglių ir kepsninės grotelių būti pašalinti riebalų ar marinato likučiai.

Jei kepsninėje susikaups per daug riebalų, jie gali užsidegti, apgadinti kepsninę, padaryti žalos aplinkai ir sukelti pavojingą situaciją.

Tai ypač svarbu įvertinti, kepat tuo pačiu metu didesnį riebios mėsos kiekį, nes nuo jos nulašėję riebalai kaupsis kepsninės dugne.

## Ugnies įsiliepsnojimas

Nedidelis įsiliepsnojimas yra įprastas reiškinys naudojant dujinę kepsninę ir netgi suteikia patiekalams papildomo skonio. Jei ugnis stipriai įsiliepsnoja, pakyla temperatūra kepsninės viduje ir nuo kepatų patiekalų varva daugiau riebalų. Dėl to padidėja riebalų užsidegimo tikimybė. Todėl įsiliepsnojimo siekiama išvengti prevencinėmis priemonėmis.

1. Nuo mėsos pašalinkite riebalų perteklių.
2. Mėsą stenkitės kepti tinkamoje temperatūroje.
3. Patikrinkite, kad kepsninės dugne ar ant sienelių nebūtų riebalų ar marinato likučių.
4. Visada, kai tik įmanoma, dangtį laikykite uždarytą.

**i** Keptant uždarius dangtį, kepsninės temperatūra bus tolygesnė ir lengviau kontroliuojama.

# Naudingi patarimai

## Bendrosios kepsimo instrukcijos

Kepsninės naudojimas - lengvas ir atpalaiduojantis užsiėmimas, tik reikia nepamiršti kelių smulkmenų ir laikytis bendrųjų kepsimo instrukcijų.

- **Palaukite, kol kepsninės anglys arba briketai tinkamai įsidegs.** Kai jie taps šviesiai pilkos spalvos, žarijos bus paruoštos kepimui.
- **Kepsninė turi tinkamai įkaisti.** Keraminis korpusas labai gerai įkaista ir padeda palaikyti temperatūrą. Jei kepsninės ir kepsimo grotelės tinkamai įkaista, prie jų mažiau limpa maistas, o patiekalų paviršius gražiai apkepa.
- **Kepimui nenaudokite nešvarių reikmenų.** Senas marinatas ir maisto likučiai greitai prilimpa prie grotelių ir kepsimo patiekalo. Po kiekvieno naudojimo išvalykite kepsninės ir kepsimo grotelės. Taip paruošite jas kitam kartui.
- **Kepsimo priemonės laikykite netoliese.** Bus lengviau tinkamai kontroliuoti kepsimo trukmę ir temperatūrą, jei visi reikiami įrankiai, prieskoniai, marinatas ir indai bus prie kepsimo vietos.
- **Kuo dažniau kepkite uždengę kepsninės dangtį.** Kepant uždarytu dangčiu nenukrenta kepsninės temperatūra ir sutrumpėja kepsimo trukmė.
- **Kuo mažiau vartykite kepamą mėsą,** pakanka vieno karto. Jei patiekalas ant kepsninės / kepsimo grotelių guli nejudinamas, jo paviršius gražiai parunda.
- **Naudokite termometrą!** Per ilgą kepsimo trukmę išsausina patiekalą ir sugadina jo skonį. Geriausią rezultatą gausite naudodami mėsos termometrą.
- Prieš pjaustydami / valgydami mėsą **palaukite 10-20 minučių.** Mėsai vėstant išsilygina temperatūra ir pjaustymo metu išsiskiria mažiau sulčių.

## Marinatai

Marinatai labai dažnai naudojami kepsninėse, kad patiekalams suteiktų norimą skonį. Tačiau dėl marinato maistas pridega prie kepsninės ir kepsimo grotelių. Be to, aliejiingi marinatai gali nulašėti į ugniakurą ir ant žarijų, sukelti liepsnos pliūpsnius ar netgi uždegti riebalus. Šie keli patarimai padės sumažinti marinato keliamas problemas.

1. Prieš dėdami patiekalus į kepsninę nuvalykite marinato perteklių.
2. Jei marinato dar pilsite kepsimo metu, tam naudokite kepsninės teptuką. Marinato negalima pilti ant maisto tiesiai iš butelio.
3. Kepsimo metu geriau naudokite sausą marinatą.



**Nenaudokite nuo žalių produktų likusio marinato paruoštiems patiekalams marinuoti. Žalios mėsos bakterijos pateks ant paruošto patiekalo.**

## Ką daryti, kad maistas nepriliptų

Kepėjams gerai žinoma, kad maistas prilimpa prie kepsninės / kepsimo grotelių. Štai keli patarimai, kaip to išvengti.

1. Iš anksto pakankamai gerai įkaitinkite kepsninę.
2. Prieš dėdami patiekalus į kepsninę, išvalykite kepsninės ir kepsimo grotelės.
3. Prieš užpildydami kepsninę, kepamus produktus ir kepsimo zoną patepkite aliejumi.
4. Išbandykite tokį būdą: Prieš pradėdami kepti, perpjaukite svogūną ir nuvalykite juo grotelės. Maistas neprilips prie grotelių.
5. Per greitai nevartykite kepamų patiekalų, palaukite, kol jų paviršius pakankamai apkeps.

## Kepimo temperatūrų vadovas

Toliau pateikta dažniausiai naudojamų produktų orientacinė kepimo trukmė ir temperatūra. Kepimo trukmei įtakos gali turėti vėjas, lietus, lauko temperatūra ir kepsninės švarumas.



### Jautiena

Sudėtinė dalis	Storis / svoris	Kepimo būdas	Kepimo trukmė
Vidinės / išorinės nugarinės kepsnys	apie 2 cm	Tiesioginė didelė kaitra	2,5–3,5 min / viena pusė
Vidinės / išorinės nugarinės kepsnys	apie 5 cm	Tiesioginė didelė kaitra Netiesioginė vidutinė kaitra	2,5 min / viena pusė 8 – 10 min
Visa nugarinė	apie 1,5 kg	Tiesioginė didelė kaitra Netiesioginė vidutinė kaitra	3 min / viena pusė 20 – 30 min
Didkepsnis	apie 1,5 kg	Tiesioginė vidutinė kaitra Netiesioginė vidutinė kaitra	3–4 min / viena pusė 30 – 40 min
Mėsainio kepsnys	apie 2 cm	Tiesioginė didelė kaitra	2–3 min / viena pusė
Vidaus temperatūra			
Žalias – beveik žalias		47 – 51 °C	
Medium (vidutinis)		52 – 58 °C	
Beveik iškepęs – iškepęs		59 – 66 °C	



### Kiauliena

Sudėtinė dalis	Storis / svoris	Kepimo būdas	Kepimo trukmė
Mėsos filė kepsnys, šonkaulių išpjova	apie 2 cm	Tiesioginė didelė kaitra	2–2,5 min / viena pusė
Nugarinė	apie 600 g	Tiesioginė didelė kaitra Netiesioginė vidutinė kaitra	3 min / viena pusė 20 – 30 min
Kepsninėje kepami šonkauliai	apie 1,5 kg	Netiesioginė vidutinė kaitra Tiesioginė didelė kaitra	60 – 90 min 4 min / viena pusė
„Kassler“ kepsnys	apie 3 cm	Tiesioginė vidutinė kaitra Netiesioginė vidutinė kaitra	2,5–3 min / viena pusė 15 – 20 min
Žalios mėsos dešra	apie 400 g	Tiesioginė maža kaitra	2–3 min / viena pusė
Vidaus temperatūra			
Iškepta filė		65 – 70 °C	
Iškeptos kitos sudėtinės dalys		65 – 70 °C	



## Vištiena ir kalakutiena

Sudėtinė dalis	Storis / svoris	Kepimo būdas	Kepimo trukmė
Krūtinėlės filė	apie 200 g	Tiesioginė vidutinė kaitra	5–6 min / viena pusė
Ketvirtis	apie 120 g	Tiesioginė vidutinė kaitra	5–6 min / viena pusė
Sparneliai	apie 500 g	Tiesioginė vidutinė kaitra Netiesioginė vidutinė kaitra	6 – 10 min 30 – 40 min
Visas viščiukas	apie 900 g	Netiesioginė vidutinė kaitra	60 – 75 min
Vidaus temperatūra			
Iškepęs		75 °C	



## Žuvis

Sudėtinė dalis	Storis / svoris	Kepimo būdas	Kepimo trukmė
Plona filė	apie 200 g	Tiesioginė vidutinė kaitra	2–3 min / viena pusė
Stora filė	apie 120 g	Tiesioginė vidutinė kaitra	5–6 min / viena pusė
Visa žuvis	apie 500 g	Netiesioginė vidutinė kaitra	20 – 30 min
Vidaus temperatūra			
Rausva		45 – 50 °C	
Visiškai iškepusi		55 – 60 °C	



## Daržovės

Sudėtinė dalis	Storis / svoris	Kepimo būdas	Kepimo trukmė
Prinokęs kukurūzas		Tiesioginė vidutinė kaitra	6 min
Pomidoras		Tiesioginė vidutinė kaitra	6 min / viena pusė
Smidrai		Tiesioginė vidutinė kaitra	3 – 5 min
Bulvių skiltelės		Tiesioginė vidutinė kaitra Netiesioginė vidutinė kaitra	5 – 8 min 10 – 15 min
Žalia bulvė		Netiesioginė vidutinė kaitra	45 – 60 min

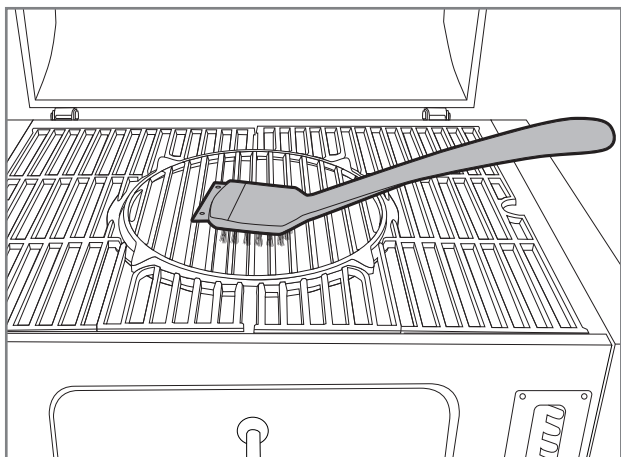
# Kepsninės išvalymas ir sandėliavimas

Kepsninės naudojimo trukmė bus akivaizdžiai ilgesnė, jeigu reguliariai ją valysite ir tinkamai prižiūrėsite. Jei kepsninė nepakankamai įkaista arba maistas lengvai prikimba prie grotelių, reiškia, kepsninė nebuvo valoma arba prižiūrima pagal instrukcijas.

## Kepsninės ir kepimo grotelės

Kepsninės ir kepimo grotelės reikia išvalyti iš karto po naudojimo, kol kepsninė dar šilta. Valykite su kepsninių valymui skirtu šepetėliu ar mentele.

Kepsninės ir kepimo grotelės taip pat galima nuplauti su švelniu plovikliu ir šiltu vandeniu. Nuplautų grotelių nepamirškite nusausinti ir sutepti aliejumi.



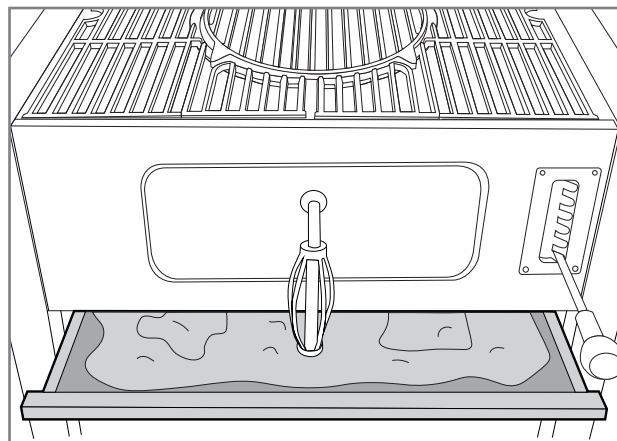
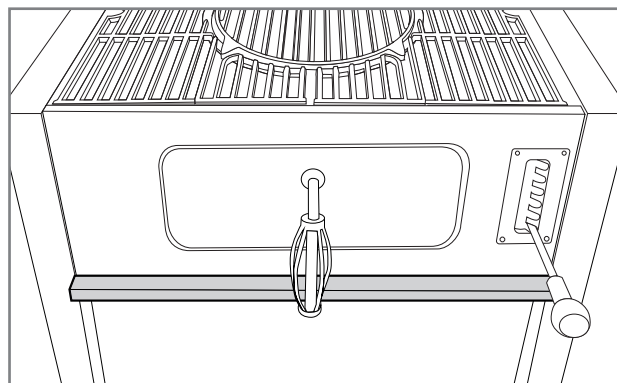
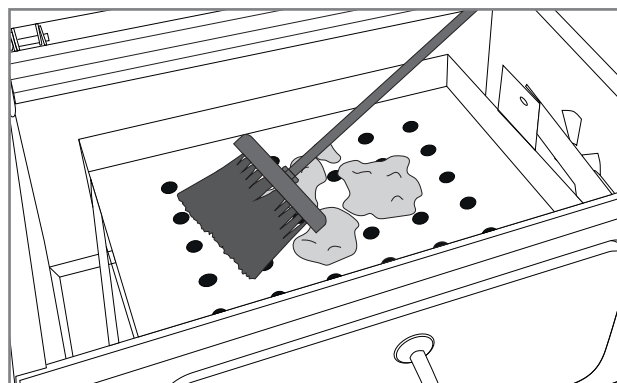
**i** Valymui nenaudokite suvirinimo darbams skirto metalinio šepetio. Metalinio šepetio padarytai žalai garantija nebus taikoma.

## Pelenų išvalymas

Kai žarijos tikrai užges ir kepsninė atvės, bus galima pašalinti pelenus ir išvalyti anglių grotelės.

Smulkūs pelenai drėgname ore gali sudrėkti ir anglių grotelės pradės rūdyti. Nepamirškite reguliariai išvalyti anglių grotelių.

Išvalykite anglių grotelės, pvz., šepetėliu, o pelenus pašalinkite semtuvėliu.



## Kepsninės išorinis paviršius ir metalinės dalys

Kepsninės išorinį paviršių ir metalines dalis taip pat reikia reguliariai valyti. Šioms dalims galima taikyti tokias bendrąsias instrukcijas:

1. Kepsninės metalines dalis valykite „Mustang“ kepsninių valikliu arba švelniu indų plovikliu ir šluoste.
2. Nepamirškite gerai nusausti išvalytų dalių.
3. Vietoms su įspėjamaisiais užrašais negalima naudoti ploviklių, nes jie gali nutrinti tekstą ar kitus saugos simbolius.
4. Visus išorinius kepsninės paviršius valykite bent tris kartus per metus, kad prie jų neliptų nešvarumai.
5. Naujos valymo priemonės tinkamumą visada tikrinkite mažai pastebimoje vietoje.



**Kepsninė gali rūdyti dėl chloro ir druskos poveikio. Jei kepsninė naudojama prie jūros arba baseino, ją reikia valyti kas savaitę.**

## Techninė priežiūra

Metalines dalis reikėtų 2-3 kartus per metus sutepti parduotuvėse parduodamu, metalo priežiūrai skirtu tepalu. Metalinius paviršius tai apsaugos nuo nešvarumų sankauptų ir rūdijančių įbrėžimų.

Nepamirškite prieš naudojimą patikrinti tepalo tinkamumą, pavyzdžiui, išbandydami jį mažiau pastebimoje vietoje.

Reguliariai tikrinkite, ar gerai priveržti vežimėlio, oro sklendžių ir rankenėlių varžtai. Dėl didelių temperatūros svyravimų gali atsilaisvinti kepsninės varžtai.

Du kartus per metus sutepkite judančias metalines vyrių dalis universaliu tepalu.



**Varžtams priveržti nenaudokite elektrinio atsuktuvo, nes jis gali pažeisti varžtus ar kitas metalines dalis. Pažeidimams dėl per stipraus varžtų užveržimo garantija netaikoma.**

## Laikymas

Kai darote ilgesnę pertrauką arba norite paruošti kepsninę sandėliavimui žiemą, žiūrėkite šias instrukcijas. Tinkamas laikymas prailgins kepsninės tarnavimo laiką ir ji daugelį metų išliks funkcionali. Sandėliuodami kepsninę laikykitės šių instrukcijų:

1. Kruopščiai išvalykite kepsninę pagal naudojimo vadovo instrukcijas.
2. Pasirūpinkite, kad visos kepsninės / kepimo grotelės būtų suteptos aliejumi.
3. Jei kepsninė bus laikoma lauke, išimkite kepsninės ir kepimo grotelės. Šias dalis reikia laikyti sausoje ir šiltoje patalpoje. Kiekvieną jų būtų gerai suvynioti, pvz., į laikraštį, kad neapsibraižytų paviršius.
4. Kepsninę laikant lauke, verta įsigyti kokybišką uždangalą, kuris ją uždengtų iki pat žemės. Nepamirškite pasirūpinti, kad oras galėtų cirkuliuoti ir po dangalu.



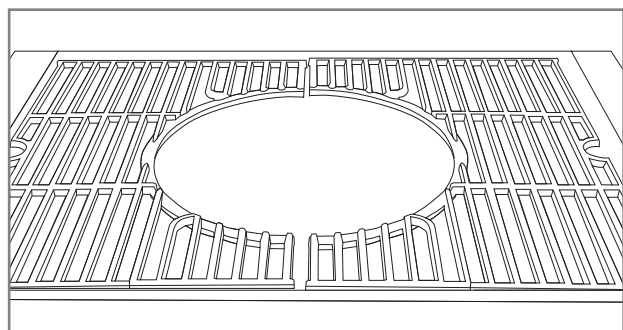
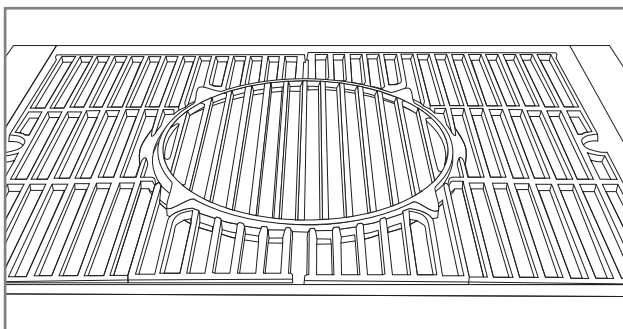
**Nelaikykite kepsninės ten, kur ant jos nuo stogo kristų sniegas. Sniego ir ledo sukeltai žalai garantija netaikoma.**

# „Multigrill“ ir priedai

## „Multigrill“ kepmo ant grotelių sistema iš ketaus

Kai kurie modeliai turi „Multigrill“ kepmo ant grotelių sistemą, kurią galima papildyti įvairiais kepmo priedais.

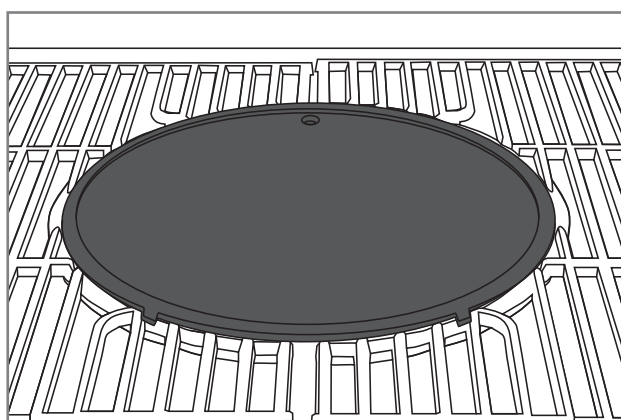
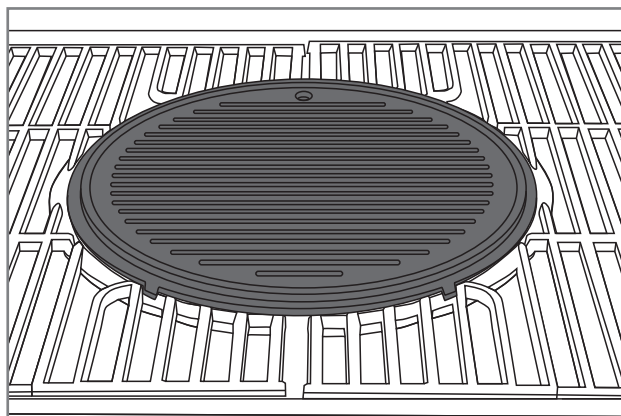
Tuose modeliuose, kurie neturi „Multigrill“ kepmo ant grotelių sistemos, dalį priedų galima naudoti tiesiai ant kepsninės grotelių.



## Kepimo grotelės iš ketaus

Prekės kodai: 603434

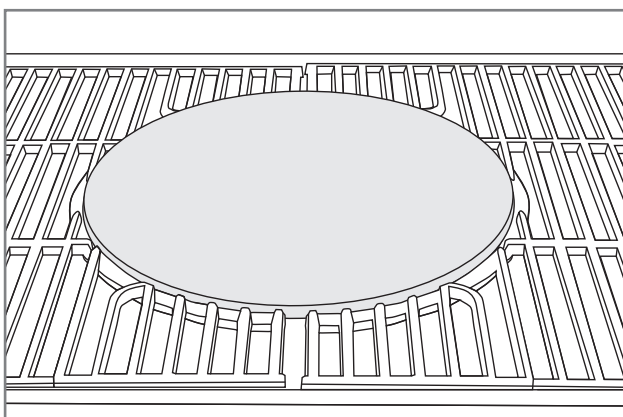
Viena grotelių pusė su grioveliais, kita lygi. Ø 30 cm.



## Kepimo / picos akmuo

Prekės kodas: 316871

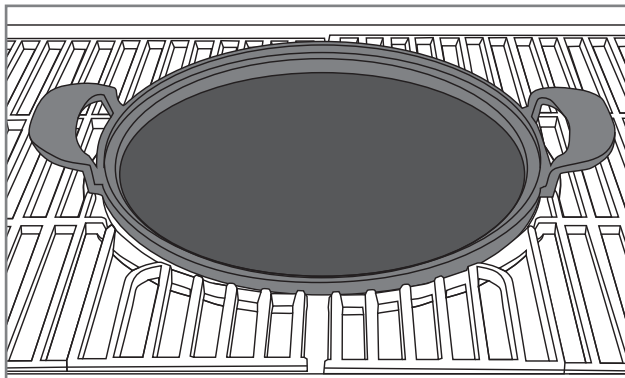
„Mustang“ Ø 30,5 cm kepmo akmuo pagamintas iš patvaraus kordierito akmens. Ant kepmo akmens galima kepti duoną, pyragus ir picas.



## Žema ketaus keptuvė

Prekės kodas: 603435

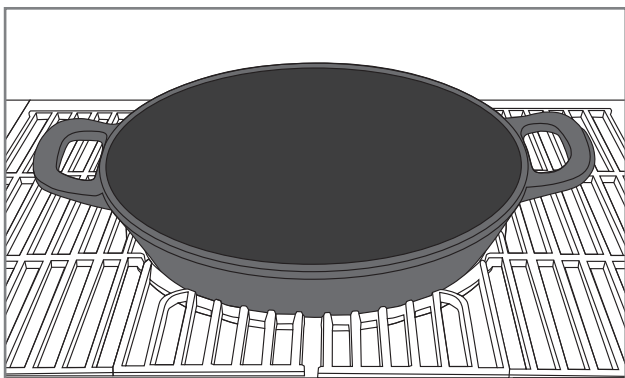
Žemoje ketaus keptuvėje lengvai iškepsite įvairius patiekalus. Keptuvę patogiai nukelsite nuo grotelių laikydami už praktiškų rankenėlių. Ø 30 cm.



## Kiniška ketaus keptuvė

Prekės kodai: 603438

„Mustang“ kiniška ketaus keptuvė skirta įvairioms daržovėms ir kitiems patiekalams kepti ant grotelių. Rankenėlės palengvina keptuvės kilnojimą. Ø 30 cm.





# Trikčių diagnostika

Gali sutrikti bet kurios kepsninės veikimas. Šios triktys paprastai nesudėtingai pašalinamos. Jei toliau pateiktoje schemoje nerasite sprendimo savo problemai, kreipkitės į pardavėją.

Defektas	Galima priežastis	Sprendimas
Oro sklendės neveikia kaip turėtų.	Oro vožtuvų varžtai yra per daug priveržti.	Atlaisvinkite oro vožtuvų varžtus.
	Sklendės sulipo dėl nešvarumų ir riebalų.	Atsukite varžtus ir išvalykite sklendes.
Kepsninė neužsikuria.	Uždarytos oro sklendės.	Atidarykite oro sklendes.
	Sudrėko anglis arba briketai.	Pakeiskite anglis arba briketus.
Kepsninė nepakankamai įkaista.	Ugnis negauna pakankamai deguonies.	Visiškai atidarykite apatines oro sklendes.
	Trūksta anglių.	Įdėkite daugiau anglių ir atidarykite apatines oro sklendes.
Kepsninė per daug įkaista.	Ugnis gauna per daug deguonies.	Uždarykite oro sklendes ir palaukite, kol žarijos užges. Kai temperatūra nukris, šiek tiek atverkite oro sklendes. Jei reikia, iš naujo užkurkite kepsninę.

## Garantija

„Mustang“ anglinėms kepsninėms suteikiama ne mažiau nei 12 mėnesių gamyklinė ir medžiagų garantija. Tačiau garantijos sąlygos gali skirtis priklausomai nuo modelio, todėl atnaujintas garantijos sąlygas ir trukmę rasite mūsų interneto svetainėje

**[mustang-grill.com](http://mustang-grill.com)**

Visais garantijos teikimo atvejais reikalingas pirkimo kvitas, kuriame būtų nurodyta pirkimo vieta ir data.



# MUSTANG

DE

**Montage- und Bedienungsanleitung**

---

# Willkommen in der Welt der Mustang-Grills!

**Wir freuen uns, dass Sie sich für einen Mustang-Grill entschieden haben. Mustang möchte Ihnen mit diesem Grill fantastische Grillerlebnisse ermöglichen. Mustang wurde aus dem Wunsch heraus gegründet, gemütliches und entspanntes Kochen im Familien- und Freundeskreis zu genießen, und daran möchten wir auch Sie teilhaben lassen.**

Die Grills und das Zubehör von Mustang wurden sorgfältig entworfen und gefertigt, und wir sind stolz darauf, sie anbieten zu können. Alle unsere Produkte zeugen von unserer langjährigen Erfahrung und Kompetenz. Sie beinhalten alle wesentlichen Funktionen und Eigenschaften. Dieser Grill wird Ihnen lange Zeit Freude bereiten, wenn Sie ihn gemäß den Anweisungen in dieser Bedienungsanleitung pflegen und reinigen.

## Ein äußerst umfangreiches Sortiment an Barbecue-Produkten

Mustang ist eine Marke des finnischen Unternehmens Tammer Brands Oy. Mustang bietet alle Geräte, Betriebsstoffe, Zubehörartikel und Ersatzteile, die zum Grillen benötigt werden, sowie ein umfangreiches Produktsortiment zum Räuchern von Speisen und zum Pizzabacken. Da wir mit der Grillkultur bestens vertraut sind, können wir Ihnen die am besten geeigneten und modernsten Produkte bieten. Die einzige Marke, die Sie für erfolgreiches Grillen benötigen, ist Mustang.

## Kundendienst

Tammer Brands Oy,  
Tel. +358 3 252 1111  
Viinikankatu 36,  
33800 Tampere, FINNLAND

**TAMMER**  
BRANDS | EST 1954

**mustang-grill.com**



**Lesen Sie die Bedienungsanleitung, bevor Sie den Grill verwenden, und bewahren Sie sie auf, um darin nachschlagen zu können.**

**Folgen Sie uns in den sozialen Medien**



**mustanggrill**

# Inhaltsverzeichnis

<b>Montageanleitung</b> .....	3
Bevor Sie mit dem Zusammenbauen beginnen .....	8
<b>Sicherheitshinweise und Warnungen</b> .....	190
Aufstellen des Grills .....	190
Allgemeine Sicherheitshinweise .....	191
<b>Verwenden des Holzkohlegrills</b> .....	192
Maßnahmen vor der erstmaligen Verwendung des Produkts .....	192
Nach jeder Verwendung durchzuführende Maßnahmen .....	192
Anzünden des Holzkohlegrills mit einem Streichholz oder einem Stabfeuerzeug .....	192
Anzünden des Holzkohlegrills mit einem Anzündkamin .....	193
Grillen bei hohen Temperaturen .....	194
Grillen bei niedrigen Temperaturen .....	194
Indirektes Grillen .....	194
Backen und Rösten .....	195
Allgemeine Informationen zur Temperaturregelung .....	195
Anheben/Absenken der Holzkohleschale .....	196
Hinzugeben von Kohle oder Briketts während des Grillens .....	196
Menge der Holzkohle .....	196
Menge der Holzkohle für indirektes Grillen .....	197
Löschen des Grills .....	197
Fettbrand .....	197
Aufflackern der Glut .....	197


<b>Hilfreiche Tipps</b> .....	198
Allgemeine Grillanleitung .....	198
Marinaden .....	198
Verhindern, dass Grillgut am Grill haften bleibt .....	198
Leitfaden zur Grilltemperatur .....	199
<b>Reinigen und Lagern des Grills</b> .....	201
Grillroste und -gitter .....	201
Entfernen der Asche .....	201
Äußere Oberflächen und Stahlteile des Grills .....	202
Instandhaltung .....	202
Lagerung .....	202
<b>Multigrill und Zubehör</b> .....	203
Multigrill-Grillsystem aus Gusseisen .....	203
Steinplatte/Pizzastein .....	203
Gusseisen-Grillplatte .....	203
Flache Gusseisenpfanne .....	204
Gusseisen-Wok .....	204
<b>Problembehandlung</b> .....	205
<b>Garantie</b> .....	205

# Sicherheitshinweise und Warnungen

Bevor Sie diesen Holzkohlegrill zum ersten Mal verwenden, müssen Sie die Warnungen und Sicherheitshinweise in dieser Bedienungsanweisung aufmerksam lesen. Dieser Grill wurde gemäß der Norm EN1860-1 gefertigt.

Bedeutung der Symbole:  GEFÄHR  HINWEIS


## Aufstellen des Grills

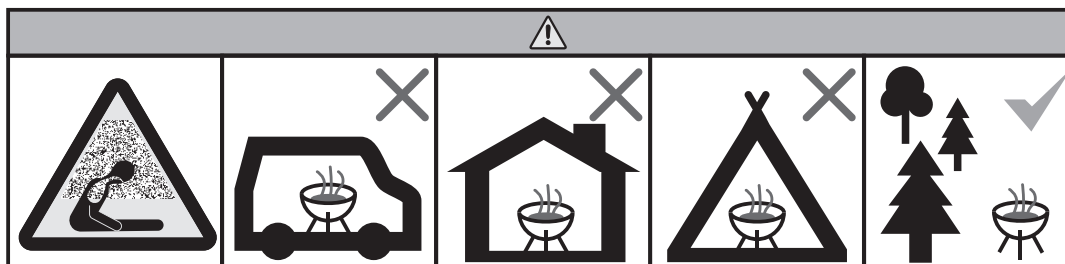
 **Dieser Grill ist ausschließlich für die Verwendung im Freien vorgesehen. Verwenden Sie ihn niemals in Innenräumen oder geschlossenen Räumen. Beachten Sie die folgenden Hinweise.**

- Verwenden Sie den Grill nur im Freien.
- Verwenden Sie den Grill nicht in der Nähe einer Wand, in einer Garage, in einem Wohnmobil oder Wohnwagen, in einem anderen geschlossenen Raum oder in einem Innenraum.
- Stellen Sie den Grill in einer Entfernung von mindestens zwei Metern von entflammaren Stoffen auf.
- Stellen Sie den Grill nicht unter einem Sonnenschirm oder Sonnendach auf, da diese Feuer fangen können.
- Stellen Sie sicher, dass eine Löschdecke / ein Feuerlöscher und Erste-Hilfe-Ausrüstung in der Nähe des Grills zur Verfügung stehen.
- Stellen Sie sicher, dass der Grill auf einer waagerechten und hitzebeständigen Fläche steht, da während der normalen Verwendung glühende Asche aus dem Grill schweben oder fallen kann.

- Stellen Sie den Grill nicht auf empfindliche Flächen oder in die Nähe solcher Flächen auf, da während der normalen Verwendung des Grills Fett und Marinaden aus diesem austreten oder herausspritzen können.
- Verwenden Sie den Grill nicht als Feuerstelle.

 **Wenn diese Anweisungen zum Aufstellen des Grills nicht beachtet werden, besteht Brandgefahr.**

 **Wenn der Grill in einem Innenraum oder in einem geschlossenen Raum verwendet wird, besteht die Gefahr einer Kohlenmonoxidvergiftung.**



## Allgemeine Sicherheitshinweise



**Eine nicht zweckgemäße Verwendung des Holzkohlegrills kann Gefahren verursachen. Die Konstruktion des Grills darf keinesfalls, auch nicht minimal, verändert werden. Beachten Sie die folgenden Hinweise.**

- Befolgen Sie die Montageanleitung genau und stellen Sie während des Zusammenbaus sicher, dass alle Teile montiert werden. Wenn Sie die Anleitung nicht befolgen oder nicht alle Teile montiert haben, können bei der Verwendung des Geräts Probleme auftreten. Der Benutzer ist für die ordnungsgemäße Montage des Grills verantwortlich.
- Verwenden Sie nur Anzündhilfen, die der Norm EN1860-3 entsprechen. Verwenden Sie zum Anzünden des Grills keinen Spiritus, kein Benzin und keinen Alkohol oder ähnliche chemische Stoffe.
- Seien Sie vorsichtig, wenn Sie flüssigen Grillanzünder auf die Kohlen geben. Achten Sie darauf, dass der flüssige Grillanzünder nicht durch die Kohlen auf den Boden läuft. Die Flüssigkeit kann unter dem heißen Grill in Brand geraten.
- Gießen Sie keinen flüssigen Grillanzünder auf brennende Holzkohle oder heiße Asche.
- Der Grill wird während der Verwendung heiß. Seien Sie deshalb besonders vorsichtig, wenn sich Kinder, Senioren oder Haustiere in der Nähe des Grills aufhalten.
- Der Grill eignet sich am besten für Hartholzkohlen oder Briketts.
- Verbrennen Sie im Grill kein Brennholz.
- Bewahren Sie in der unmittelbaren Umgebung des Grills keine entflammaren Stoffe oder Flüssigkeiten auf.
- Achten Sie auf den durch den Grill erzeugten Rauch. Verwenden Sie den Grill nicht in der Nähe geöffneter Fenster.
- Lassen Sie den Grill während der Verwendung nicht unbeaufsichtigt.
- Tragen Sie bei Verwendung des Grills hitzebeständige Fausthandschuhe.
- Löschen Sie den Grill nicht mit Wasser; die Keramikflächen können durch das Wasser beschädigt werden. Löschen Sie den Grill, indem Sie die Glut ersticken.
- Bewegen Sie den Grill nicht, während er in Betrieb ist oder nach dem Betrieb noch heiß ist.
- Überprüfen Sie den Grill vor jeder Verwendung auf Beschädigung oder Abnutzung. Ersetzen Sie ggf. beschädigte Teile.
- Verwenden Sie den Grill nicht, wenn er nicht ordnungsgemäß funktioniert.
- Erlauben Sie Kindern nicht die Verwendung des Grills.
- Alkohol, verschreibungspflichtige Medikamente und Rauschmittel jeglicher Art können die Fähigkeit zur sicheren und sachgemäßen Bedienung des Grills beeinträchtigen.



**Öffnen Sie die Haube des Grills zunächst nur ein wenig, damit die Luft langsam und sicher auf die Glut trifft. So können Sie eine übermäßige Flammenbildung und Schäden vermeiden.**

# Verwenden des Holzkohlegrills

## Maßnahmen vor der erstmaligen Verwendung des Produkts

Die erstmalige Verwendung des Produkts dient vor allem dem Zweck, seine Funktionsfähigkeit sicherzustellen und zu überprüfen, ob sich aufgrund der Wärme- dehnung Stahlteile gelockert haben.

1. Überprüfen Sie, ob der Grill der Anleitung gemäß zusammengebaut wurde.
2. Zünden Sie den Grill gemäß der Anleitung an.
3. Lassen Sie die Holzkohle ausbrennen, und warten Sie, bis der Grill vollständig abgekühlt ist.
4. Überprüfen Sie alle Schrauben, und ziehen Sie sie ggf. fest.
5. Ihr Grill ist jetzt betriebsbereit.

**i** Verwenden Sie den Grill nicht, wenn er beschädigt ist oder wenn Teile fehlen.

**i** Geben Sie nicht zu viel Holzkohle in den Grill, da er durch übermäßige Hitze beschädigt werden kann.

## Nach jeder Verwendung durchzuführende Maßnahmen

Für den sicheren und angemessenen Betrieb des Grills müssen Sie vor jeder Verwendung einige Dinge überprüfen. Gehen Sie genau gemäß der folgenden Prüfliste vor:

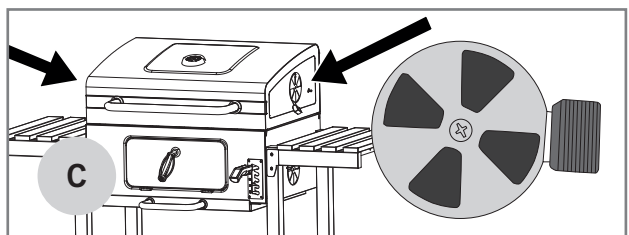
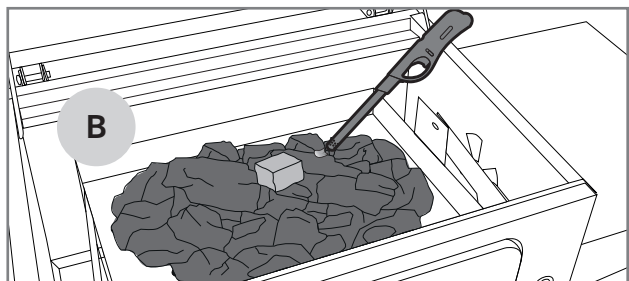
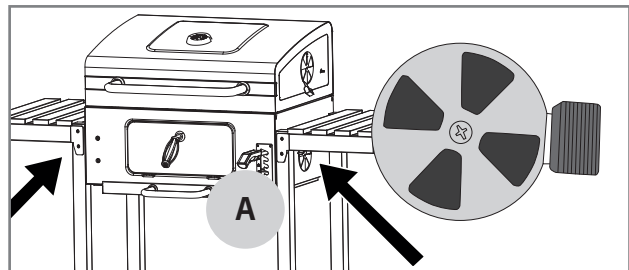
1. Überprüfen Sie, ob der Aufstellort des Grills der Anleitung entspricht.
2. Stellen Sie sicher, dass in der unmittelbaren Umgebung des Grills keine entflammaren Stoffe oder Flüssigkeiten vorhanden sind.
3. Entfernen Sie Aschereste aus der Brennkammer.
4. Reinigen und ölen Sie den Grillrost oder das Grillgitter mit Speiseöl.
5. Zünden Sie den Grill gemäß der Anleitung an.

**!** Verwenden Sie den Grill nicht, wenn er beschädigt ist oder wenn Teile fehlen.

## Anzünden des Holzkohlegrills mit einem Streichholz oder einem Stabfeuerzeug

Verwenden Sie für den Holzkohlegrill nur Hartholzkohle oder Briketts. Verwenden Sie zum Anzünden des Grills nur Anzündhilfen, die der Norm EN1860-3 entsprechen.

1. Öffnen Sie die Haube des Grills und entfernen Sie den Rost.
2. Legen Sie ungefähr drei Handvoll Holzkohle auf die Schale.
3. Legen Sie außerdem eine Mustang-Anzündhilfe zwischen die Holzkohle.
4. Öffnen Sie die unteren Lüftungsschieber vollständig (A).
5. Entzünden Sie die Anzündhilfe mit einem langen Streichholz oder einem Stabfeuerzeug (B).
6. Wenn die Anzündhilfen brennen, schließen Sie die Haube und öffnen Sie die oberen Lüftungsschieber vollständig (C).
7. Warten Sie, bis die Holzkohle oder Briketts sich hellgrau verfärbt haben.
8. Stellen Sie die Lüftungsschieber auf den gewünschten Punkt ein.
9. Der Grill ist jetzt betriebsbereit.





**i** wenden Sie als Brennstoff für den Grill kein Brennholz und keine anderen Arten von Holz. Der Grill kann durch die Verwendung von falschem Brennstoff beschädigt werden. Schäden aufgrund von ungeeignetem Brennstoff fallen nicht unter die Garantie.

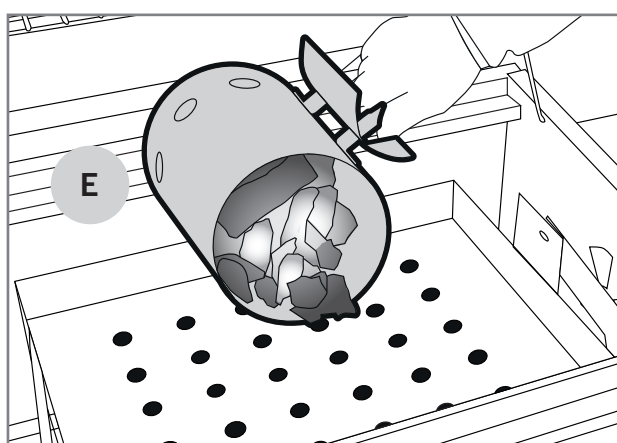
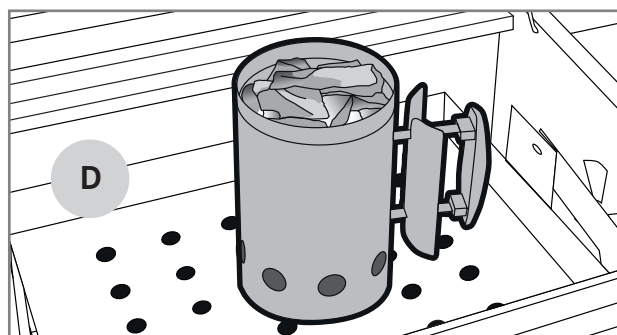
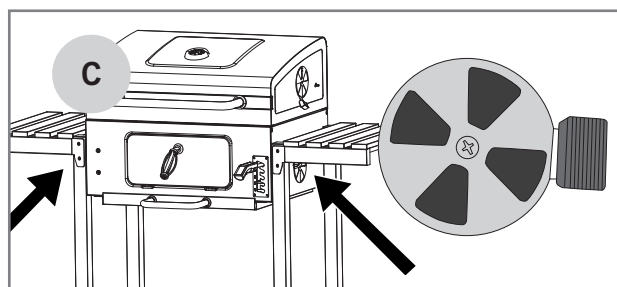
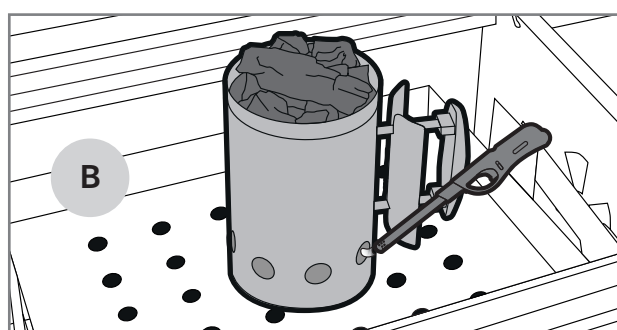
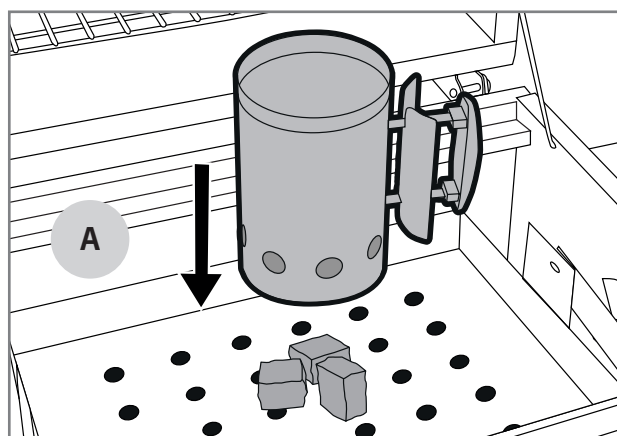
**i** Verwenden Sie zum Anzünden des Grills kein Benzin und keinen Alkohol oder ähnliche chemische Stoffe.

**i** Seien Sie vorsichtig, wenn Sie flüssigen Grillanzünder auf die Kohlen geben. Achten Sie darauf, dass der flüssige Grillanzünder nicht durch die Kohlen auf den Boden läuft. Die Garantie deckt keine Schäden am Grill oder seiner Umgebung ab, die durch ausgetretene flüssige Grillanzünder verursacht wurden.

## Anzünden des Holzkohlegrills mit einem Anzündkamin

Für schnelles Grillen können Sie zum Anzünden des Grills einen Anzündkamin verwenden. Der Mustang-Anzündkamin ist separat erhältlich.

1. Öffnen Sie die Haube des Grills und entfernen Sie den Rost.
2. Legen Sie ein paar Mustang-Anzündhilfen auf die Holzkohleschale (A).
3. Setzen Sie den Anzündkamin direkt auf die Anzündhilfen.
4. Füllen Sie den Anzündkamin mit Mustang-Kohle oder -Briketts.
5. Entzünden Sie die Anzündhilfen mit einem langen Streichholz oder einem Stabfeuerzeug durch die Luftöffnungen des Anzündkamins (B).
6. Öffnen Sie die unteren Lüftungsschieber vollständig (C).
7. Die Kohlen/Briketts können aufgelegt werden, wenn oben im Anzündkamin Flammen sichtbar sind (D).
8. Geben Sie die brennenden Kohlen/Briketts vorsichtig auf die Holzkohleschale (E). Tragen Sie Fausthandschuhe!
9. Schließen Sie die Haube und stellen Sie die Lüftungsschieber auf den gewünschten Punkt ein.
10. Der Grill ist jetzt betriebsbereit.



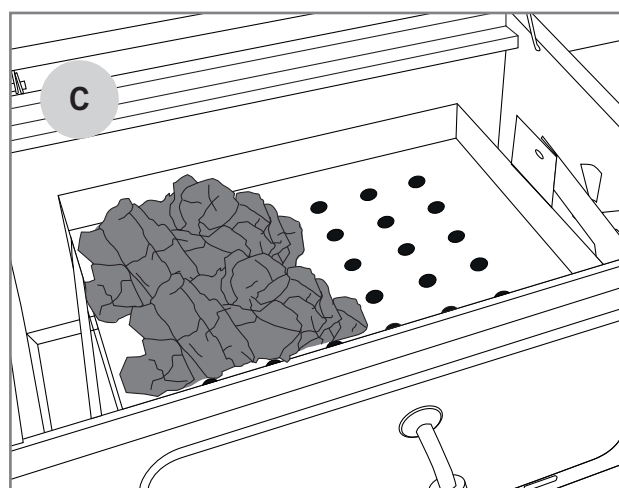
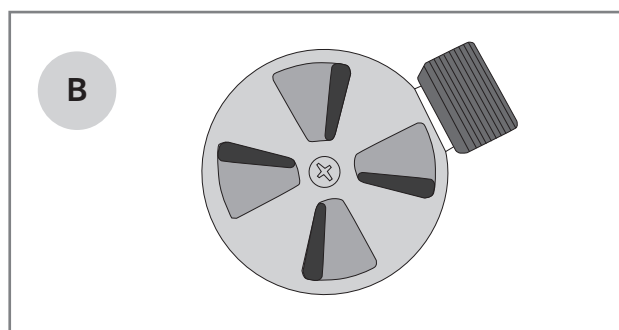
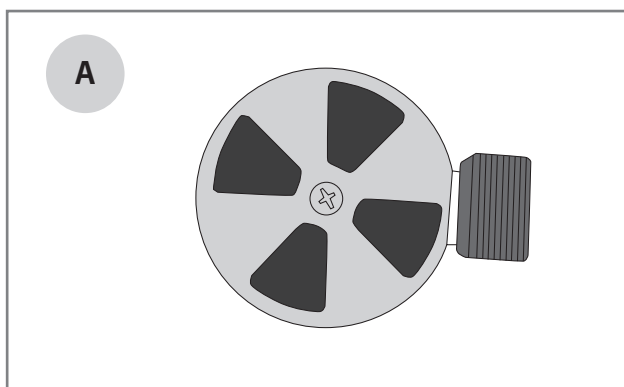
## Grillen bei hohen Temperaturen

Speisen, die schneller gegart werden müssen, werden in der Regel bei höheren Temperaturen (220–300 °C) gegrillt. Dadurch werden die Oberflächen der Speisen kross, während sie innen saftig bleiben.

1. Zünden Sie den Grill gemäß der Anleitung an.
2. Kontrollieren Sie die auf dem Thermometer auf der Haube angezeigte Temperatur.
3. Ist die gewünschte Temperatur erreicht, lassen Sie alle Lüftungsschieber vollständig geöffnet (A).
4. Der Grill ist jetzt betriebsbereit.



**Öffnen Sie die Haube des Grills vorsichtig, um langsam und sicher Luft an die Glut zu lassen. So können Sie eine übermäßige Flammenbildung und Schäden vermeiden.**



## Indirektes Grillen

Indirektes Grillen ermöglicht die Zubereitung von Gerichten, die mehr Zeit benötigen, beispielsweise ganze Braten, Hähnchen und Fisch. Indirektes Grillen wird auch für die Zubereitung von Fleischstücken verwendet, die zuvor durch direkte Hitze angebraten wurden. Beim indirekten Grillen werden die Kohlen nur auf eine Seite der Holzkohleschale gelegt (C).

## Grillen bei niedrigen Temperaturen

Insbesondere für große Fleischstücke wird eine längere Grilldauer bei geringerer Temperatur empfohlen. So wird das Fleisch zart und bleibt länger saftig. Eine niedrige Grilltemperatur wird auch für empfindlichere Zutaten empfohlen. Anleitung zum Grillen bei niedrigen Temperaturen:

1. Zünden Sie den Grill gemäß der Anleitung an.
2. Kontrollieren Sie die auf dem Thermometer auf der Haube angezeigte Temperatur.
3. Wenn die gewünschte Temperatur erreicht ist, schließen Sie die oberen und unteren Lüftungsschieber so weit wie möglich (B).
4. Sie können die direkte Hitze reduzieren, indem Sie die Kohlen auf eine Seite des Grills legen (C).
5. Der Grill ist jetzt betriebsbereit.

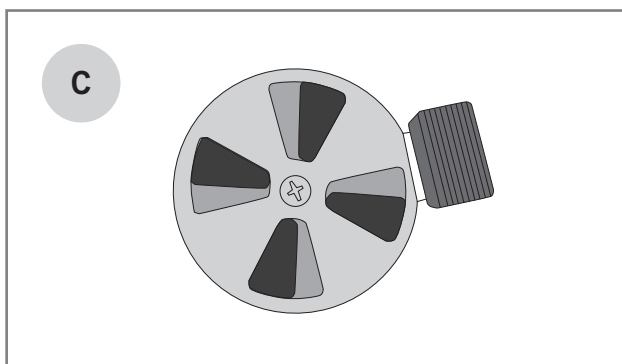
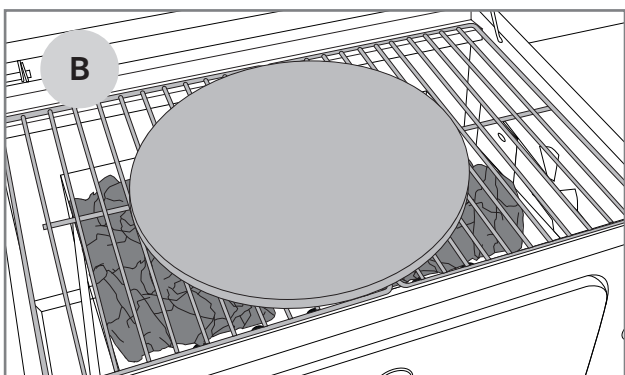
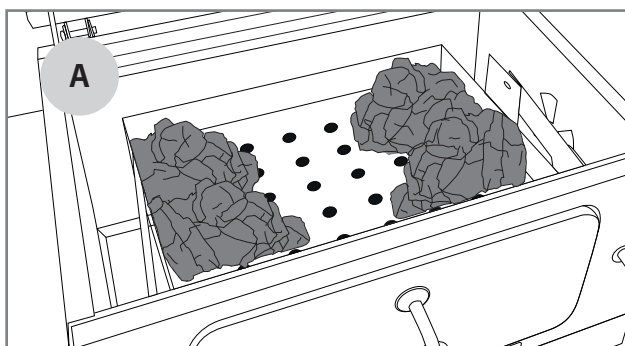


**Tragen Sie beim Einstellen der Lüftungsschieber hitzebeständige Fausthandschuhe.**

## Backen und Rösten

Der Holzkohlegrill eignet sich bei Verwendung eines separaten Backsteins auch hervorragend zum Braten. Mustang-Backsteine sind separat erhältlich.

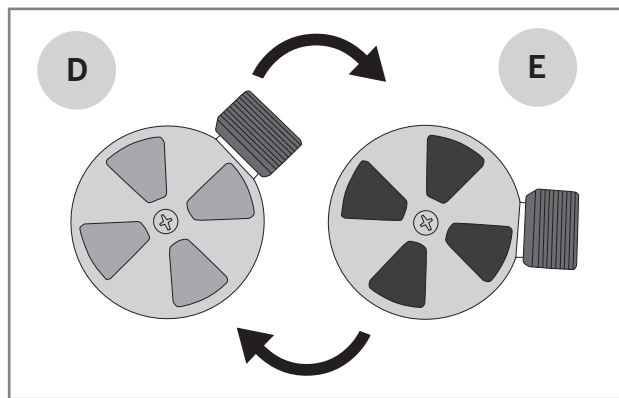
1. Legen Sie die Kohlen auf beide Seiten der Holzkohleschale (A).
2. Zünden Sie den Grill gemäß der Anleitung an.
3. Wenn die Anzündhilfen ausgebrannt sind, öffnen Sie die Haube und legen Sie den Backstein an seinen Platz (B).
4. Schließen Sie die Haube, lassen Sie die Lüftungsschieber voll geöffnet und warten Sie, bis die Holzkohle richtig glüht.
5. Kontrollieren Sie die auf dem Thermometer auf der Haube angezeigte Temperatur.
6. Sobald die gewünschte Temperatur erreicht ist, stellen Sie alle Lüftungsschieber auf den mittleren Bereich (C).
7. Der Grill ist jetzt betriebsbereit.



## Allgemeine Informationen zur Temperaturregelung

Sie können die Temperatur des Holzkohlegrills durch Ändern der Luftströmung regulieren. Auch Menge und Qualität der Holzkohle wirken sich auf die Temperatur aus. Für die Temperaturregelung ist Folgendes zu beachten:

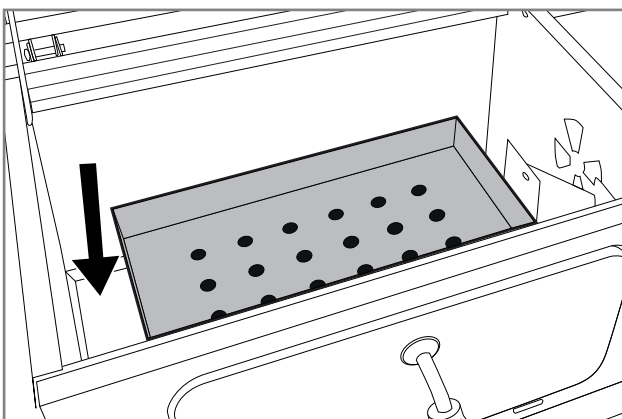
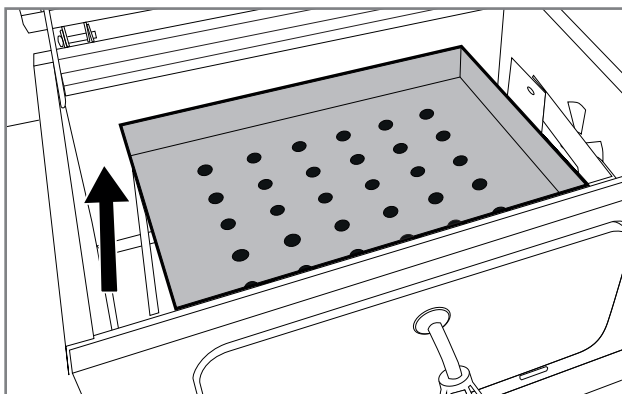
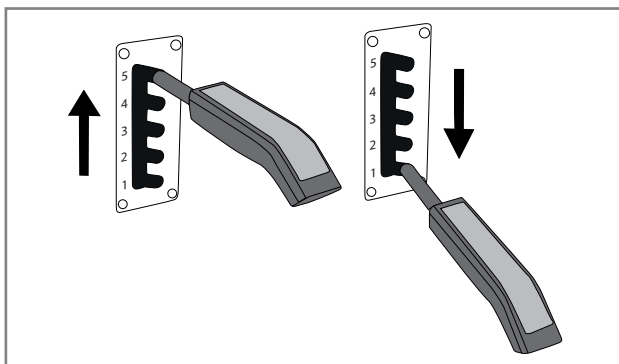
1. Die unteren Lüftungsschieber führen Luft in den Grill, während die oberen Lüftungsschieber diese abführen.
2. Mit den unteren Lüftungsschiebern lässt sich die Grobeinstellung der Temperatur vornehmen.
3. Die oberen Lüftungsschieber werden verwendet, um die Temperatur fein einzustellen.
4. Um die Temperatur zu erhöhen, benötigt der Grill mehr Luft (D-E).
5. Zur Verringerung der Temperatur müssen Sie die Luftzufuhr zum Grill reduzieren (E-D).



## Anheben/Absenken der Holzkohleschale

Sie können die Grilltemperatur auch durch Anheben und Absenken der Holzkohleschale regulieren. In der oberen Position werden die Speisen einer präziseren und höheren Temperatur ausgesetzt, während sich die Hitze in der unteren Position auf einen größeren Bereich verteilt. Neben der Einstellung der Lüftungsschieber wirken sich Menge und Qualität der Holzkohle auf die Temperatur aus.

Die Holzkohleschale wird mit einem sechsstufigen Verstellhebel auf die gewünschte Höhe angehoben und abgesenkt.



## Hinzugeben von Kohle oder Briketts während des Grillens

Wenn Sie längere Zeit grillen, müssen Sie möglicherweise zusätzliche Kohlen oder Briketts in den Grill geben. Dazu muss nur einer der Grillroste entfernt werden. Führen Sie die folgenden Schritte aus, wenn Sie während des Grillens Kohlen oder Briketts hinzugeben möchten:

1. Öffnen Sie die Haube.
2. Nehmen Sie einen der Grillroste heraus und legen Sie ihn beiseite.
3. Geben Sie mit einer langen Grillzange Kohlen oder Briketts hinzu. Tragen Sie dabei Fausthandschuhe.
4. Setzen Sie den herausgenommenen Grillrost wieder ein.
5. Schließen Sie die Haube.

**i** Immer wenn die Haube geöffnet ist, ändert sich die Temperatur im Grill. Hierdurch kann sich die Garzeit ändern.

## Menge der Holzkohle

Wählen Sie die Menge der Kohle entsprechend dem Grillgut und der Art, wie Sie es grillen möchten. Möchten Sie das Grillgut schnell und bei hoher Temperatur grillen, können Sie sich an der folgenden Tabelle orientieren:

Grill-Durchmesser	Menge der Holzkohle
< 47 cm	0,3 – 0,5 kg
47 cm	0,6 – 0,8 kg
57 cm	1,0 – 1,2 kg

## Menge der Holzkohle für indirektes Grillen

Beim indirekten Grillen bei niedrigen Temperaturen müssen Sie während des Grillens Kohlen nachlegen. Anhand der nachstehenden Tabelle können Sie die benötigte Menge an Kohle abschätzen:

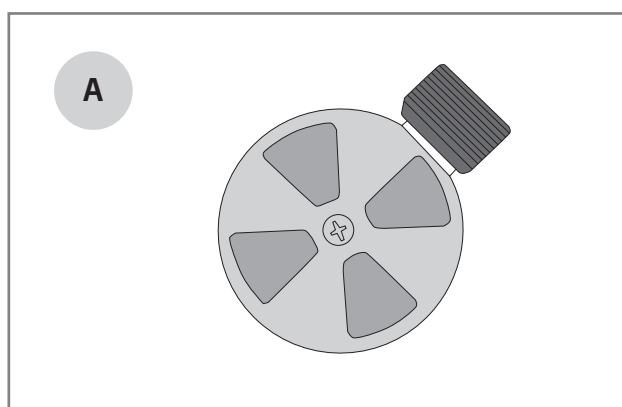
Grill-Durchmesser	Menge der Holzkohle	Zusätzlich benötigte Holzkohle pro Stunde
< 47 cm	0,2 – 0,3 kg	0,3 kg
47 cm	0,3 – 0,4 kg	0,3 kg
57 cm	0,4 – 0,5 kg	0,4 kg

## Löschen des Grills

Wenn Sie mit dem Grillen fertig sind, löschen Sie den Grill wie folgt:

1. Schließen Sie die Haube.
2. Schließen Sie alle Lüftungsschieber vollständig (A).
3. Lassen Sie die Haube und die Lüftungsschieber bis zum nächsten Tag geschlossen, um sicherzustellen, dass die Glut erlöscht ist und der Grill abgekühlt ist.

**i** Verwenden Sie zum Löschen von Holzkohle kein Wasser. Durch das Gießen von Wasser auf heiße Holzkohle kann der Grill beschädigt werden.



## Fettbrand

Entfernen Sie immer überschüssiges Fett oder Marinade vom Boden und den Wänden des Grills, dem Holzkohlenrost und dem Grillrost.

Wenn sich im Grill überschüssiges Fett anhäuft, kann dieses zu brennen beginnen und Fettbrand verursachen. Der Fettbrand kann den Grill und seine Umgebung beschädigen und Gefahren verursachen.

Achten Sie auf die Brandgefahr, insbesondere wenn Sie große Mengen von Fleisch mit hohem Fettgehalt grillen. In diesem Fall sammelt sich das Fett vom Fleisch auf dem Boden des Grills an.

## Aufflackern der Glut

Ein gelegentliches Aufflackern der Glut ist in einem Holzkohlegrill normal. Hierdurch wird zudem das Aroma der Speisen verstärkt. Wenn die Glut häufig aufflackert, erhöht sich die Innentemperatur des Grills, und es tropft mehr Fett vom Grillgut. Hierdurch erhöht sich das Risiko von Fettbrand. Deshalb sollte das Aufflackern durch entsprechende Vorkehrungen verhindert werden.

1. Entfernen Sie überschüssiges Fett vom Fleisch.
2. Grillen Sie Fleisch bei der richtigen Temperatur.
3. Sorgen Sie dafür, dass kein zusätzliches Fett oder Marinade auf dem Boden des Grills oder den Grillwänden landet.
4. Öffnen Sie die Haube so selten wie möglich.

**i** Wenn Sie mit geschlossener Haube grillen, ist die Temperatur des Grills gleichmäßiger und sie lässt sich leichter regulieren.

# Hilfreiche Tipps

## Allgemeine Grillanleitung

Grillen ist sehr einfach und entspannend, wenn Sie einige Regeln und diese allgemeine Grillanleitung beachten:

- **Warten Sie, bis die Kohlen oder Briketts richtig durchgeglüht sind.** Warten Sie, bis sie sich hellgrau verfärbt haben.
- **Der Grill muss ordentlich aufgeheizt sein.** Durch das Keramikgehäuse bleibt die Hitze effizient erhalten. Dies erleichtert die Temperaturregulierung. Wenn die Roste und Gitter ausreichend heiß sind, bleibt das Grillgut weniger daran haften, und die Oberfläche der Speisen wird korrekt gegrillt.
- **Grillen Sie nicht mit verschmutztem Zubehör.** Alte Marinaden und Speisereste bleiben leicht am Rost und den Speisen haften. Reinigen Sie die Grillroste nach jedem Gebrauch. Dann sind sie für das nächste Grillvergnügen einsatzbereit.
- **Halten Sie die zum Grillen benötigten Objekte griffbereit.** Sie können die richtigen Grillzeiten und -temperaturen leichter kontrollieren, wenn sich alle Hilfsstoffe, Gewürze, Marinaden und Teller nahe am Grill befinden.
- **Öffnen Sie beim Grillen die Haube so selten wie möglich.** Wenn Sie mit geschlossener Haube grillen, verringert sich die Temperatur des Grills nicht unnötig, und das Grillen wird beschleunigt.
- **Wenden Sie die Fleischstücke möglichst selten.** Ein einmaliges Wenden reicht aus. Wenn das Grillgut auf dem Rost/Gitter langsam garen kann, wird es gut angebraten.
- **Verwenden Sie ein Thermometer!** Wenn Sie die Speisen zu lange grillen, werden sie trocken und verlieren an Aroma. Durch die Verwendung eines Fleischthermometers können Sie optimale Ergebnisse erzielen.
- **Warten Sie nach dem Grillen von Fleisch 10–20 Minuten,** bevor Sie es schneiden/servieren. Während dieser Zeit verteilt sich die Temperatur im Fleisch gleichmäßiger und beim Schneiden des Fleischs tritt keine übermäßige Menge Saft aus.

## Marinaden

Beim Grillen werden sehr häufig Marinaden verwendet. Sie dienen dem Würzen der gegrillten Speisen. Marinaden bewirken jedoch auch, dass das Grillgut am Rost haften bleibt. Ölhaltige Marinaden können zudem in die Brennkammer tropfen und ein Aufflackern oder sogar Fettbrand verursachen. Mithilfe der folgenden Tipps können Sie die durch Marinaden verursachten Probleme reduzieren:

1. Wischen Sie überschüssige Marinaden vom Grillgut ab, bevor Sie dieses auf den Grill legen.
2. Verwenden Sie zum Auftragen von Marinade während des Grillens immer einen Küchenpinsel. Gießen Sie Marinade nicht direkt aus einer Flasche auf das Grillgut.
3. Verwenden Sie während des Grillens Trockenmarinaden.

**i** Würzen Sie gegarte Speisen nicht mit Marinade, die beim Vorbereiten von rohem Fleisch übriggeblieben ist, Sonst werden Bakterien vom rohen Fleisch auf die gegarten Speisen übertragen.

## Verhindern, dass Grillgut am Grill haften bleibt

Alle Grillmeister kennen das Phänomen, dass Grillgut am Rost oder Gitter haften bleibt. Einige Tipps, um übermäßiges Haftenbleiben von Grillgut zu vermeiden:

1. Heizen Sie den Grill bis zu einer ausreichenden Temperatur vor.
2. Reinigen Sie die Roste und Gitter, bevor Sie das Grillgut auf den Grill legen.
3. Tragen Sie Öl auf die Grillfläche und das Grillgut auf, bevor Sie dieses auf den Grill legen.
4. Probieren Sie Folgendes: Schneiden Sie eine Zwiebel in zwei Hälften und reiben Sie den Grillrost mit der Zwiebel ein, bevor Sie mit dem Grillen beginnen. Die Speisen bleiben nicht am Rost haften.
5. Wenden Sie das Grillgut auf dem Grill nicht zu früh. Warten Sie, bis die Oberfläche ordentlich gegrillt ist.

## Leitfaden zur Grilltemperatur

Die folgende Liste enthält Richtwerte zu den Grillzeiten und -temperaturen für die gängigsten Arten von Grillgut. Einflüsse wie Wind, Regen, Umgebungstemperatur und die Sauberkeit des Grills können die benötigte Zeit beeinflussen.



### Rind

Grillgut	Dicke/Gewicht	Grillmethode	Grillzeit
Rinderfilet/Lendensteak	ca. 2 cm	Direkte hohe Hitze	2,5–3,5 min pro Seite
Rinderfilet/Lendensteak	ca. 5 cm	Direkte hohe Hitze	2,5 min pro Seite
		Indirekte mittlere Hitze	8–10 min
Ganzes Lendenstück	ca. 1,5 kg	Direkte hohe Hitze	3 min pro Seite
		Indirekte mittlere Hitze	20–30 min
Braten	ca. 1,5 kg	Direkte mittlere Hitze	3–4 min pro Seite
		Indirekte mittlere Hitze	30–40 min
Hamburger-Patty	ca. 2 cm	Direkte hohe Hitze	2–3 min pro Seite
Innere Temperatur			
Blutig – fast blutig		47–51 °C	
Rosa		52–58 °C	
Fast durchgebraten – durchgebraten		59–66 °C	



### Schwein

Grillgut	Dicke/Gewicht	Grillmethode	Grillzeit
Filetsteak, Kotelett	ca. 2 cm	Direkte hohe Hitze	2–2,5 min pro Seite
Lendenstück	ca. 600 g	Direkte hohe Hitze	3 min pro Seite
		Indirekte mittlere Hitze	20–30 min
Rippchen	ca. 1,5 kg	Indirekte mittlere Hitze	60–90 min
		Direkte hohe Hitze	4 min pro Seite
Lende	ca. 3 cm	Direkte mittlere Hitze	2,5–3 min pro Seite
		Indirekte mittlere Hitze	15–20 min
Rohe Wurst	ca. 400 g	Direkte geringe Hitze	2–3 min pro Seite
Innere Temperatur			
Durchgebratenes Filet		65–70 °C	
Durchgebraten, sonstiges Grillgut		65–70 °C	



## Huhn und Pute

Grillgut	Dicke/Gewicht	Grillmethode	Grillzeit
Brustfilet	ca. 200 g	Direkte mittlere Hitze	5–6 min pro Seite
Schlegel	ca. 120 g	Direkte mittlere Hitze	5–6 min pro Seite
Flügel	ca. 500 g	Direkte mittlere Hitze Indirekte mittlere Hitze	6–10 min 30–40 min
Ganzes Hähnchen	ca. 900 g	Indirekte mittlere Hitze	60–75 min
Innere Temperatur			
Durchgebraten		75 °C	



## Fisch

Grillgut	Dicke/Gewicht	Grillmethode	Grillzeit
Dünnes Filet	ca. 200 g	Direkte mittlere Hitze	2–3 min pro Seite
Dickes Filet	ca. 120 g	Direkte mittlere Hitze	5–6 min pro Seite
Ganzer Fisch	ca. 500 g	Indirekte mittlere Hitze	20–30 min
Innere Temperatur			
Rosé		45–50 °C	
Durchgebraten		55–60 °C	



## Gemüse

Grillgut	Dicke/Gewicht	Grillmethode	Grillzeit
Gekochter Mais		Direkte mittlere Hitze	6 min
Tomate		Direkte mittlere Hitze	6 min pro Seite
Spargel		Direkte mittlere Hitze	3–5 min
Kartoffelscheiben		Direkte mittlere Hitze	5–8 min
		Indirekte mittlere Hitze	10–15 min
Rohe Kartoffel		Indirekte mittlere Hitze	45–60 min



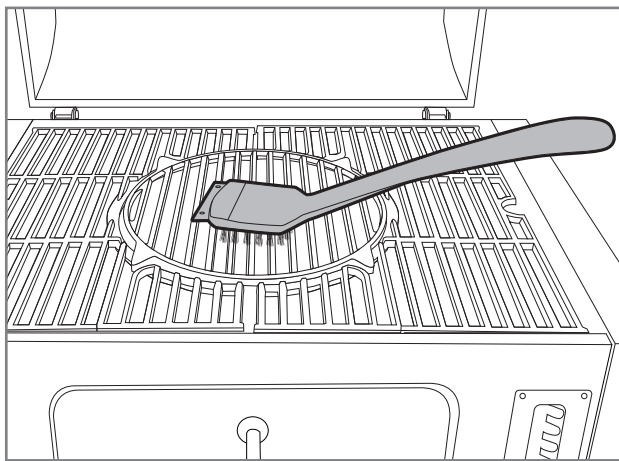
# Reinigen und Lagern des Grills

Sie können die Lebensdauer Ihres Grills erheblich verlängern, wenn Sie ihn regelmäßig reinigen und warten. Wenn der Grill nicht ausreichend heiß wird oder Grillgut übermäßig stark an den Rosten haften bleibt, wurde der Grill nicht entsprechend der Anleitung gereinigt oder gewartet.

## Grillroste und -gitter

Reinigen Sie die Roste und Gitter immer direkt nach der Verwendung, wenn der Grill noch warm ist. Verwenden Sie eine Grillbürste oder einen Grillschaber.

Sie können Roste und Gitter auch mit milder Seife und warmem Wasser abwaschen. Nach dem Abwaschen müssen Sie die Grillroste und -gitter gründlich trocknen und einfetten.



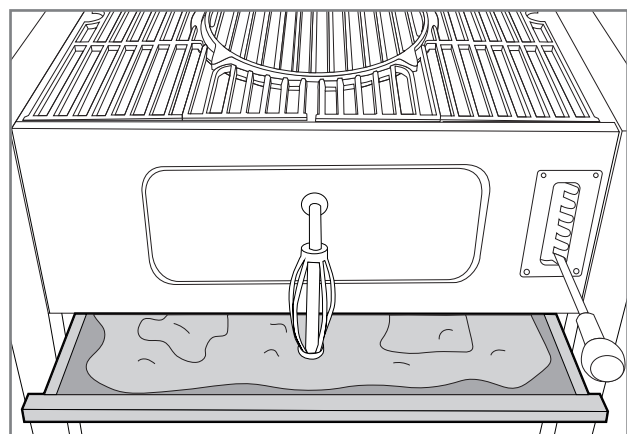
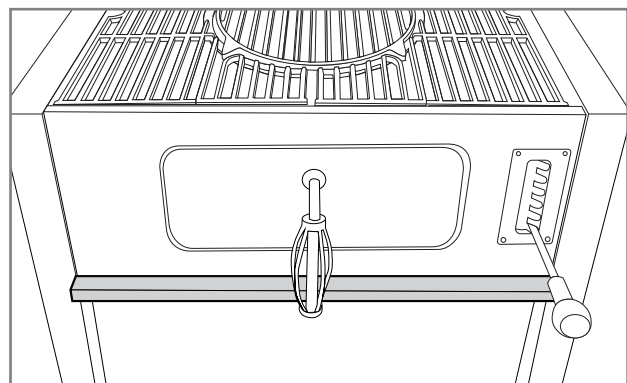
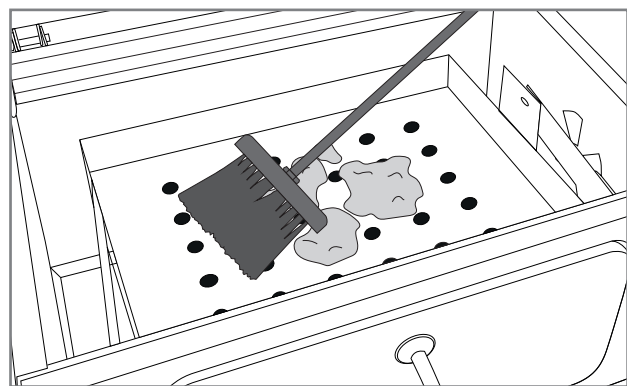
**i** Verwenden Sie zum Reinigen des Grills keine Stahlbürste, die für Schweißarbeiten vorgesehen ist. Durch eine Stahlbürste verursachte Schäden sind nicht durch die Garantie abgedeckt.

## Entfernen der Asche

Wenn Sie sicher sind, dass die Glut erloschen ist und der Grill abgekühlt ist, können Sie die Asche entfernen und die Holzkohleschale reinigen.

Bei feuchtem Klima kann die feine Asche Feuchtigkeit aufnehmen und die Holzkohleschale rosten lassen. Vergessen Sie nicht, die Holzkohleschale regelmäßig zu reinigen.

Reinigen Sie die Holzkohleschale durch Abbürsten und entfernen Sie die Asche mit einem Aschebehälter.



## Äußere Oberflächen und Stahlteile des Grills

Sie müssen auch die Außenflächen und andere Stahlteile des Grills regelmäßig reinigen. Sie können diese Komponenten gemäß der folgenden allgemeinen Anleitung reinigen.

1. Reinigen Sie die Stahlteile des Grills mit Mustang-Grillreinigungsflüssigkeit oder mit einem milden Geschirrspülmittel und einem Tuch.
2. Trocknen Sie die gereinigten Teile sorgfältig.
3. Verwenden Sie zum Reinigen der Flächen mit Warnaufklebern oder anderen Aufklebern keine Reinigungsmittel, da durch sie der Text möglicherweise entfernt wird.
4. Reinigen Sie alle Außenflächen des Grills mindestens dreimal jährlich, damit keine Flecken auf den Flächen verbleiben.
5. Testen Sie immer die Eignung eines neuen Reinigungsmittels an einer unauffälligen Stelle.

**i** Chlorid und Salz können Rostbildung am Grill verursachen. Wenn der Grill in unmittelbarer Nähe zu Meerwasser oder nahe an einem Schwimmbaden verwendet wird, muss er wöchentlich gereinigt werden.

## Instandhaltung

Es wird empfohlen, die Stahlteile 2–3 Mal jährlich mit einem Spezialöl für die Stahlpflege zu behandeln. Solches Öl ist im Fachgeschäft erhältlich. So können Sie das Auftreten von Rostflecken und anderen Flecken auf den Stahlflächen verhindern.

Überprüfen Sie die Eignung des Öls, bevor Sie es verwenden: Testen Sie es zunächst an einer unauffälligen Stelle.

Überprüfen Sie regelmäßig die Festigkeit der Schrauben am Wagen, an den Lüftungsschiebern und den Griffen. Starke Temperaturschwankungen können bewirken, dass sich die Schrauben lockern.

Fetten Sie die beweglichen Stahlteile des Scharniers zweimal jährlich mit Universalöl.

**i** Verwenden Sie zum Festziehen der Schrauben keinen Elektroschrauber, da hierdurch die Schrauben oder andere Stahlteile beschädigt werden können. Schäden, die durch zu starkes Anziehen der Schrauben verursacht werden, sind nicht durch die Garantie abgedeckt.

## Lagerung

Beachten Sie diese Anweisungen, wenn Sie den Grill längere Zeit nicht benutzen oder ihn beispielsweise über den Winter einlagern möchten. Die richtige Lagerung verlängert die Lebensdauer des Grills und sorgt dafür, dass Sie ihn viele Jahre lang nutzen können. Beachten Sie bei der Lagerung des Grills Folgendes:

1. Reinigen Sie den Grill vollständig gemäß den Anweisungen im Handbuch.
2. Stellen Sie sicher, dass alle Grillroste eingefettet sind.
3. Wenn der Grill im Freien gelagert wird, nehmen Sie die Roste und Grillplatten vom Grill ab. Diese Teile müssen an einem trockenen und warmen Ort gelagert werden. Wir empfehlen auch, diese Teile in Zeitungspapier oder ähnliches zu wickeln, damit die Oberflächen vor Kratzern geschützt sind.
4. Wird der Grill im Außenbereich aufbewahrt, empfiehlt es sich, eine hochwertige Abdeckung zu kaufen, die den Grill bis zum Boden abdeckt. Sorgen Sie dafür, dass die Luft auch unter der Abdeckung zirkulieren kann.

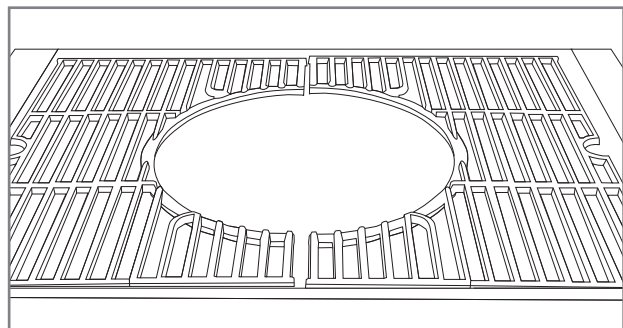
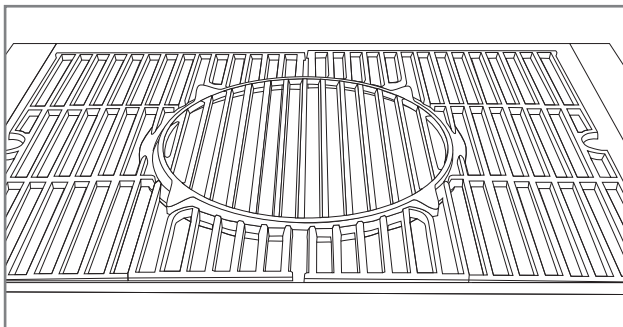
**i** Lagern Sie den Grill nicht an einem Ort, an dem vom Dach fallender Schnee auf den Grill gelangen kann. Schäden durch Schnee und Eis sind nicht durch die Garantie abgedeckt.

# Multigrill und Zubehör

## Multigrill-Grillsystem aus Gusseisen

Einige Modelle sind serienmäßig mit dem Multigrill-Grillsystem ausgestattet, für das diverses Grillzubehör erhältlich ist.

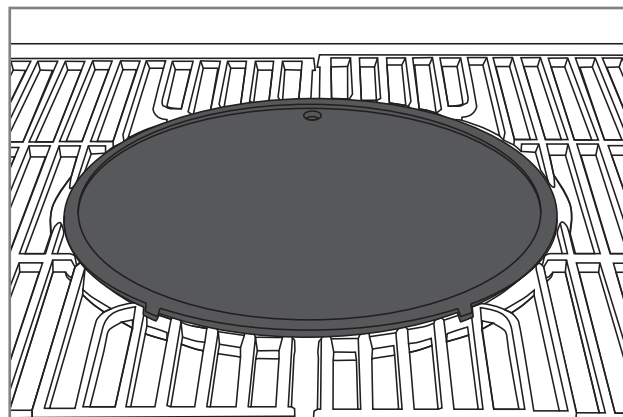
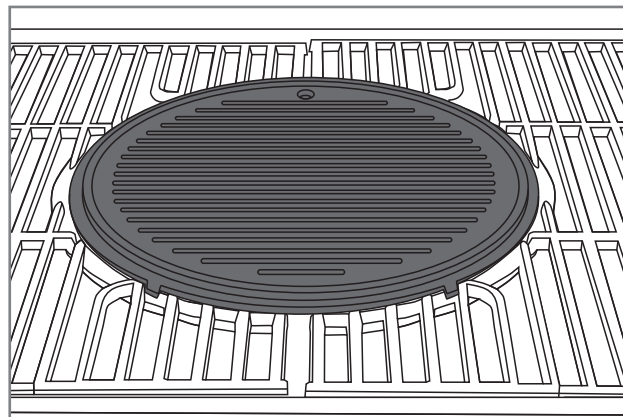
Bei Modellen ohne Multigrill-Grillsystem kann ein Teil des Zubehörs direkt auf dem Grillrost verwendet werden.



## Gusseisen-Grillplatte

Produktcode: 603434

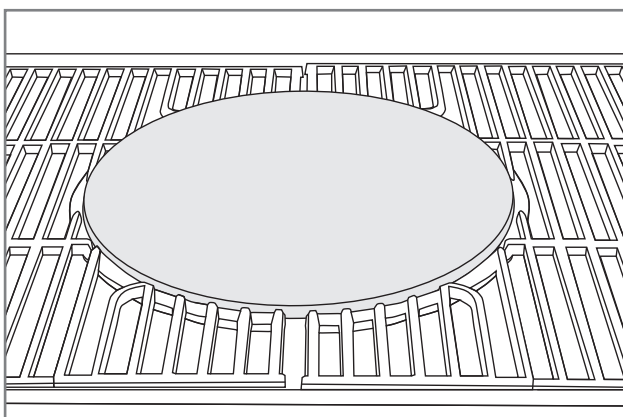
Eine Seite der Grillplatte ist geriffelt, die andere ist glatt.  
Ø 30 cm.



## Steinplatte/Pizzastein

Produktcode: 316871

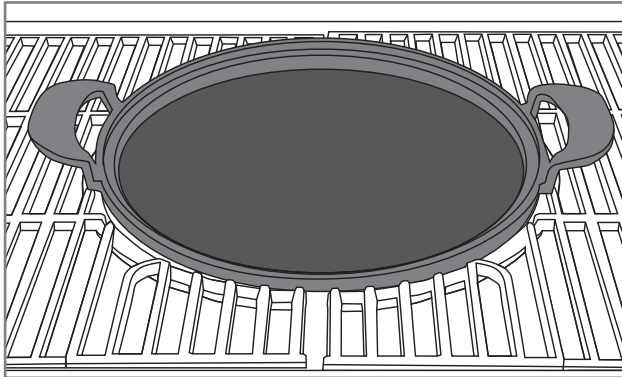
Die Mustang-Steinplatte (Ø 30,5 cm) besteht aus langlebigen Kordierit. Sie können auf der Steinplatte Brot, Kuchen und Pizza backen.



## Flache Gusseisenpfanne

Produktcode: 603435

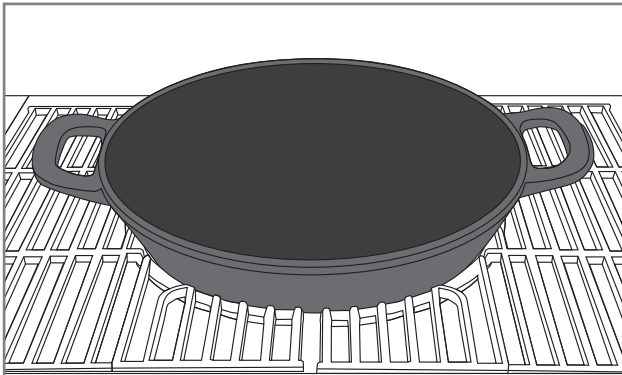
In der flachen Gusseisenpfanne lassen sich problemlos alle Arten von Speisen zubereiten. Die praktischen Griffe erleichtern das Entnehmen der Pfanne aus dem Grill. Ø 30 cm.



## Gusseisen-Wok

Produktcode: 603438

Die Mustang-Wokpfanne aus Gusseisen ist ideal zum Anbraten von Gemüse und anderer Gerichte auf dem Grill. Griffe zum leichten Anheben. Ø 30 cm.



# Problembehandlung

Bei jedem Grill können Störungen auftreten. Diese lassen sich in der Regel einfach beheben. Wenn Sie in der folgenden Tabelle keine Lösung für das bei Ihrem Grill auftretende Problem finden können, wenden Sie sich bitte an den Händler.

Problem	Mögliche Ursache	Lösung
Die Lüftungsschieber funktionieren nicht ordnungsgemäß.	Die Schrauben der Lüftungsschieber sind zu fest angezogen.	Lockern Sie die Schrauben der Lüftungsschieber.
	Die Schieber lassen sich aufgrund von Schmutz oder Staub nicht bewegen.	Schrauben der Schieber lösen und Schieber reinigen.
Der Grill lässt sich nicht anzünden.	Die Lüftungsschieber sind geschlossen.	Lüftungsschieber öffnen.
	Die Holzkohle oder Briketts sind nass geworden.	Holzkohle oder Briketts entfernen.
Der Grill wird nicht ausreichend aufgeheizt.	Dem Feuer mangelt es an Sauerstoff.	Unteren Lüftungsschieber vollständig öffnen.
	Nicht genug Holzkohle.	Holzkohle hinzugeben und unteren Lüftungsschieber öffnen.
Der Grill überhitzt.	Dem Grill wird zu viel Sauerstoff zugeführt.	Lüftungsschieber schließen und warten, bis die Glut erlischt. Wenn die Temperatur gesunken ist, Lüftungsschieber ein wenig öffnen. Grill ggf. erneut anzünden.

## Garantie

Für Mustang-Holzkohlegrills gilt eine Garantie auf Fabrikations- und Materialfehler von mindestens 12 Monaten. Die Garantiebedingungen variieren jedoch je nach Modell. Die aktuellen Garantiebedingungen und -zeiträume finden Sie auf unserer Website

**[mustang-grill.com](http://mustang-grill.com)**

Für die Geltendmachung von Gewährleistungsansprüchen benötigen Sie den Kaufbeleg, auf dem Ort und Datum des Kaufs angegeben sind.



# MUSTANG

PO

**Instrukcja montażu i obsługi**

---

# Witamy w świecie grilli Mustang

Dziękujemy za zakup grilla Mustang. To doskonały towarzysz każdego spotkania przy grillu, pozostawiający po sobie niezapomniane wrażenia. Wszystkie produkty Mustang są tworzone z myślą o grillowaniu bez pośpiechu i bez stresu z rodziną i przyjaciółmi – teraz i Ty możesz się o tym przekonać.

Grille i akcesoria Mustang cechują się niezwykle starannością wykonania i wykończenia. Każdy z nich odzwierciedla nasze doświadczenie i wiedzę i posiada wszystkie niezbędne funkcje. Jesteśmy pewni, że nasz grill będzie Ci służył przez długi czas, jeśli tylko będziesz pamiętać o prawidłowej pielęgnacji i czyszczeniu zgodnie z instrukcjami zawartymi w niniejszym dokumencie.

## Największy wybór produktów do grillowania

Mustang to marka należąca do fińskiej firmy Tammer Brands Oy. Oferuje urządzenia, materiały eksploatacyjne, części zamienne i akcesoria zarówno do grillowania, jak i wędzenia czy pieczenia pizzy. Znamy się na grillowaniu jak nikt inny, dlatego oferujemy Ci najbardziej odpowiednie i nowoczesne produkty. Mustang to jedyna marka, jakiej potrzebujesz, aby urządzić udane spotkanie przy grillu.

## Dział obsługi posprzedażowej:

Tammer Brands Oy,  
tel. +358 3 252 1111  
Viinikankatu 36,  
FI-33800 Tampere, FINLANDIA

**TAMMER**  
BRANDS | EST 1954

[mustang-grill.com](http://mustang-grill.com)



**Przed rozpoczęciem korzystania z grilla zapoznać się z niniejszą instrukcją obsługi i zachować do wykorzystania w przyszłości.**

Obserwuj nas w mediach społecznościowych



**mustanggrill**

# Spis treści

<b>Wskazówki dotyczące montażu</b> .....	3
Przed rozpoczęciem montażu .....	8
<b>Wskazówki bezpieczeństwa i ostrzeżenia</b> .....	210
Lokalizacja grilla .....	210
Ogólne wskazówki bezpieczeństwa .....	211
<b>Użytkowanie grilla opalanego węglem drzewnym</b> .....	212
Czynności do wykonania przed pierwszym użyciem produktu .....	212
Czynności do wykonania przed każdym użyciem .....	212
Rozpalanie grilla przy użyciu zapalek lub zapalarki .....	212
Rozpalanie grilla przy użyciu komina do rozpalania .....	213
Grillowanie w wysokiej temperaturze .....	214
Grillowanie w niskiej temperaturze .....	214
Grillowanie metodą pośrednią .....	214
Pieczenie i smażenie .....	215
Ogólne wskazówki dotyczące regulacji temperatury .....	215
Podnoszenie/opuszczanie tacy na węgiel .....	216
Dodawanie węgla lub brykietu podczas grillowania .....	216
Ilość węgla drzewnego .....	216
Ilość węgla drzewnego do grillowania metodą pośrednią .....	217
Wygaszanie grilla .....	217
Zapłon tłuszczu .....	217
Rozbłyski płomienia .....	217




<b>Przydatne wskazówki</b> .....	218
Ogólne instrukcje dotyczące grillowania .....	218
Marynaty .....	218
Zapobieganie przywieraniu potraw do grilla .....	218
Porady w zakresie temperatury grillowania .....	219
<b>Czyszczenie i przechowywanie grilla</b> .....	221
Ruszt i płyta .....	221
Usuwanie popiołu .....	221
Zewnętrzne powierzchnie i stalowe części grilla .....	222
Konserwacja .....	222
Przechowywanie .....	222
<b>Ruszt Multigrill i akcesoria</b> .....	223
Żeliwny ruszt Multigrill .....	223
Kamień do pieczenia/pizzy .....	223
Żeliwna płyta grillowa .....	223
Płytko patelnia żeliwna .....	224
Wok żeliwny .....	224
<b>Rozwiązywanie problemów</b> .....	225
<b>Gwarancja</b> .....	225

## Wskazówki bezpieczeństwa i ostrzeżenia


Przed rozpoczęciem korzystania z grilla opalanego węglem drzewnym należy obowiązkowo zapoznać się z ostrzeżeniami i wskazówkami bezpieczeństwa zawartymi w niniejszej instrukcji obsługi. Grill został wyprodukowany zgodnie z normą EN 1860-1.


Objaśnienie symboli:  NIEBEZPIECZEŃSTWO!  UWAGA!

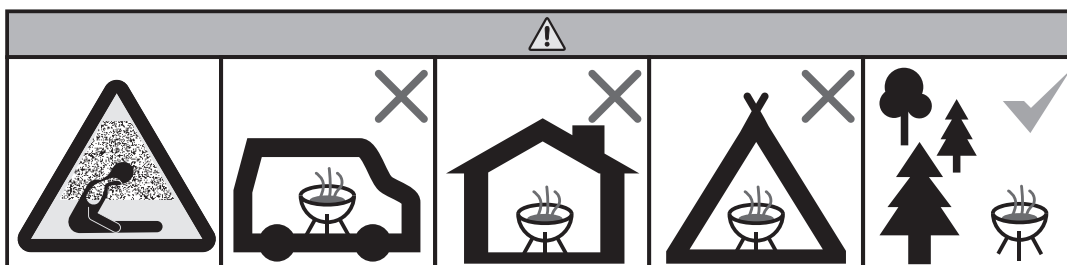
### Lokalizacja grilla

 Ten grill przeznaczony jest wyłącznie do użytku na zewnątrz. Zabrania się używania grilla w pomieszczeniach lub przestrzeniach zamkniętych. Stosować się do poniższych wytycznych.

- Grilla używać tylko na zewnątrz.
- Nie używać grilla tuż przy ścianie, garażu, kamperze, przyczepie lub jakiegokolwiek innej przestrzeni ograniczonej ani w pomieszczeniach.
- Upewnić się, że grill znajduje się co najmniej dwa metry od materiałów łatwopalnych.
- Nie ustawiać grilla pod parasolami przeciwsłonecznymi ani daszkami ze względu na ryzyko zapłonu.
- Upewnić się, że obok grilla znajdują się koc gaśniczy/gaśnica oraz apteczka pierwszej pomocy.
- Upewnić się, że grill został ustawiony na poziomym podłożu odpornym na wysokie temperatury, ponieważ podczas normalnego użytkowania z paleniska może wydostawać się rozżarzony węgiel drzewny.
- Nie ustawiać grilla na wrażliwych powierzchniach lub w ich pobliżu, ponieważ podczas normalnego użytkowania z grilla mogą wydostawać się tłuszcz i marynaty.
- Nie używać grilla jako kominka.

 Brak zastosowania się do tych wskazówek podczas ustawiania grilla stwarza ryzyko wybuchu pożaru.

 Używanie grilla w pomieszczeniach lub przestrzeniach ograniczonych stwarza ryzyko zatrucia tlenkiem węgla.



## Ogólne wskazówki bezpieczeństwa



**Używanie grilla opalanego węglem drzewnym niezgodnie z przeznaczeniem stwarza zagrożenie. Zabrania się modyfikowania konstrukcji grilla, nawet w najmniejszy sposób. Stosować się do poniższych wytycznych.**

- Przestrzegać instrukcji montażu i upewnić się, że po zakończeniu montażu nie pozostały żadne niezamontowane części. Nieprzestrzeganie instrukcji lub brak zamontowania wszystkich części może spowodować problemy podczas użytkowania urządzenia. Za prawidłowe zmontowanie grilla odpowiedzialność ponosi użytkownik.
- Używać wyłącznie podpałki zgodnej z normą EN 1860-3. Do rozniecania ognia nie używać spirytusu, benzyny, alkoholu ani innych podobnych substancji chemicznych.
- Zachować ostrożność podczas rozlewania podpałki w płynie po węglach. Nie dopuścić do przesączenia się podpałki przez węgle na ziemię. Jeśli grill nagrzeje się do wysokiej temperatury, rozlany płyn może się zapalić.
- Nie wylewać podpałki w płynie na rozpalony węgiel lub żar.
- Grill nagrzewa się podczas jego użytkowania, z tego powodu, jeśli w pobliżu grilla znajdują się dzieci, osoby starsze lub zwierzęta, należy zachować szczególną ostrożność.
- Grill należy opalać węglem drzewnym z twardego drewna lub brykietem.
- Nie opalać grilla drewnem kominkowym.
- Nie przechowywać łatwopalnych materiałów lub cieczy w bezpośrednim otoczeniu grilla.
- Kontrolować dym wydobywający się z grilla; nie używać grilla w pobliżu otwartych okien.
- Nie pozostawiać rozpalonego grilla bez nadzoru.
- Podczas obsługi grilla korzystać z rękawic odpornych na wysokie temperatury.
- Nie gasić grilla wodą, ponieważ woda może uszkodzić powłokę ceramiczną. Grill wygaszać, dławiąc żar.
- Nie przenosić grilla, jeśli jest rozpalony lub jeszcze nie wystygł.
- Przed użyciem zawsze sprawdzić grill pod kątem uszkodzeń i zużycia. W razie potrzeby wymienić uszkodzone części.
- W przypadku jakichkolwiek nieprawidłowości nie używać grilla.
- Nie pozwalać dzieciom obsługiwać grilla.
- Alkohol, leki na receptę oraz środki odurzające mogą zaburzyć zdolność użytkownika do prawidłowej i bezpiecznej obsługi grilla.



**Podczas otwierania pokrywy grilla najpierw nieznacznie unieść pokrywę, aby powoli i bezpiecznie doprowadzić powietrze do żaru. Pozwoli to uniknąć nadmiernego rozbłysku płomienia i uszkodzeń.**

# Użytkowanie grilla opalanego węglem drzewnym

## Czynności do wykonania przed pierwszym użyciem produktu

Przy pierwszym użyciu produktu należy sprawdzić jego funkcjonalność oraz skontrolować wszelkie luzy spowodowane rozszerzaniem się stalowych części pod wpływem ciepła.

1. Sprawdzić, czy grill został zmontowany zgodnie z instrukcjami.
2. Rozpalić grill zgodnie z instrukcjami.
3. Zaczekać, aż węgiel całkowicie się wypali, a grill ostygnie.
4. Sprawdzić wszystkie śruby i w razie potrzeby dokręcić je.
5. Grill jest teraz gotowy do użycia.

**i** Nie używać grilla, jeśli jest uszkodzony lub brakuje w nim części.

**i** Nie wsypywać zbyt dużej ilości węgla drzewnego, ponieważ nadmiar ciepła może spowodować uszkodzenie grilla.

## Czynności do wykonania przed każdym użyciem

Aby grill działał bezpiecznie i prawidłowo, przed każdym jego użyciem należy przeprowadzić kilka kontroli. Wykonać następujące czynności:

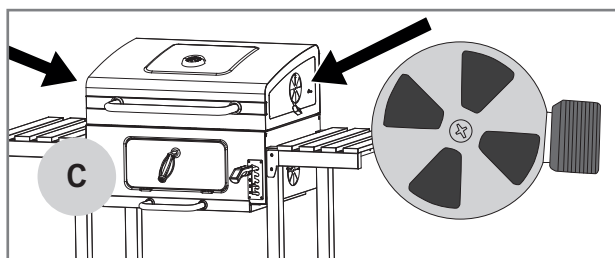
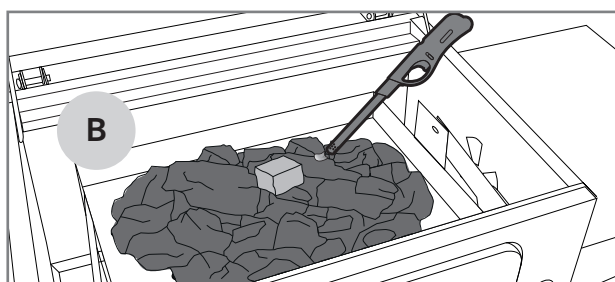
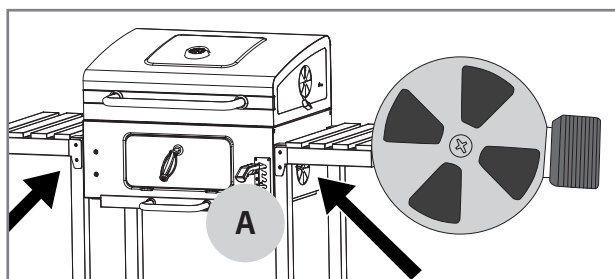
1. Sprawdzić, czy grill został ustawiony zgodnie z instrukcjami.
2. Sprawdzić, czy w bezpośrednim otoczeniu grilla nie znajdują się żadne łatwopalne materiały ani ciecze.
3. Usunąć popiół z paleniska.
4. Wyczyścić i natłuścić ruszt lub płytę olejem roślinnym.
5. Rozpalić grill zgodnie z instrukcjami.

**!** Nie używać grilla, jeśli jest uszkodzony lub brakuje w nim części.

## Rozpalanie grilla przy użyciu zapalek lub zapalarki

Używać wyłącznie węgla drzewnego z twardego drewna lub brykietu. Do rozpalania grilla używać wyłącznie podpałki zgodnej z normą EN 1860-3.

1. Otworzyć pokrywę grilla i zdjąć ruszt.
2. Umieścić około trzech garści węgla drzewnego na tacy.
3. Włożyć rozpałkę Mustang pomiędzy węgle.
4. Całkowicie otworzyć dolne przepustnice powietrza (A).
5. Podpalić podpałkę długimi zapalkami lub zapalarką (B).
6. Gdy podpałki się zapalą, zamknij pokrywę i całkowicie otwórz górne zawory powietrzne (C).
7. Kiedy węgiel lub brykiety zmienią kolor na jasnoszary, żar jest odpowiedni do przygotowania potraw.
8. Ustawić przepustnice powietrza wg potrzeb.
9. Grill jest teraz gotowy do użycia.



**i** Nie opalać grilla drewnem kominkowym ani innymi produktami drzewnymi. Stosowanie nieprawidłowego opału może doprowadzić do uszkodzenia grilla. Uszkodzenia spowodowane użyciem niewłaściwego opału nie są objęte gwarancją.

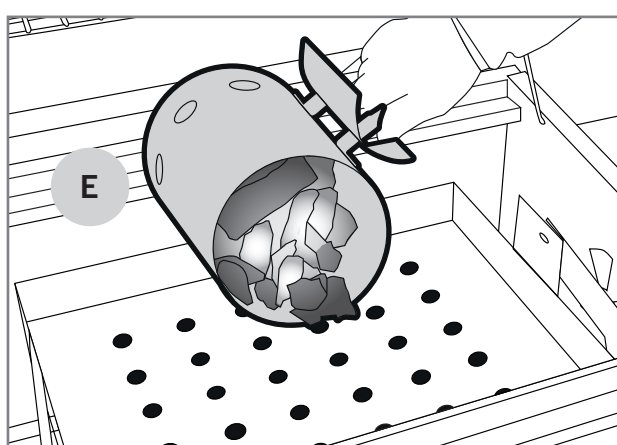
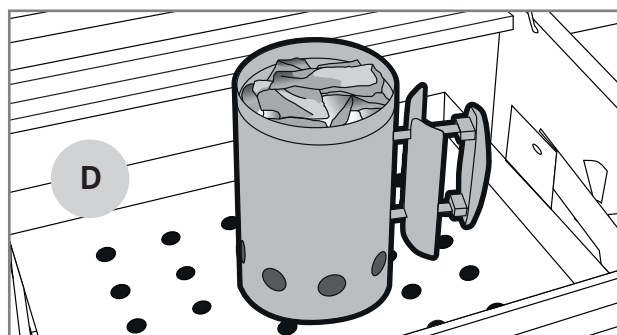
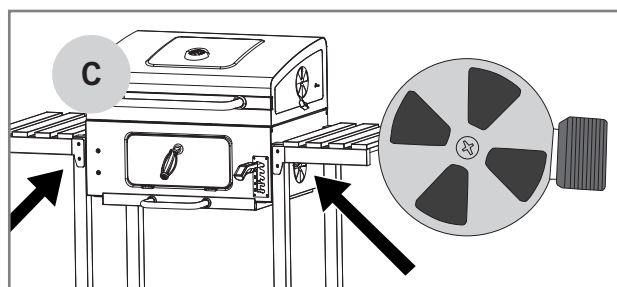
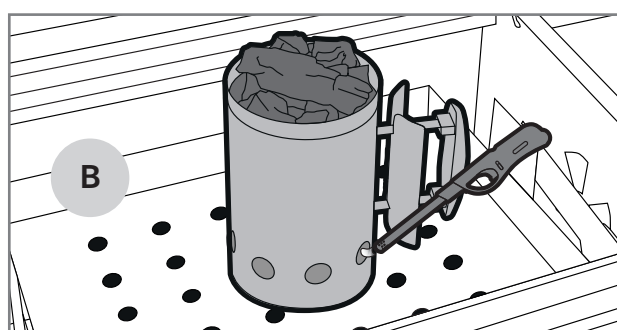
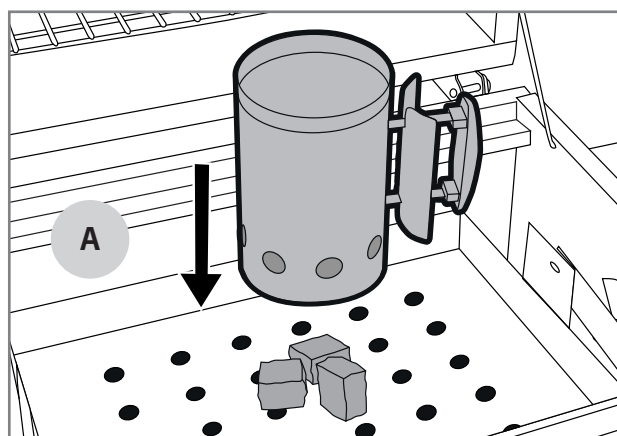
**i** Do rozniecania ognia nie używać benzyny, alkoholu ani innych podobnych substancji chemicznych.

**i** Zachować ostrożność podczas rozlewania podpałki w płynie po węglach. Nie dopuścić do przesączenia się podpałki przez węgle na ziemię. Gwarancja nie obejmuje uszkodzeń grilla i jego otoczenia powstałych w wyniku wycieku podpałki.

## Rozpalanie grilla przy użyciu komina do rozpalania

Aby szybko rozpałcić grill, można użyć komina do rozpalania. Komin do rozpalania Mustang jest sprzedawany oddzielnie.

1. Otworzyć pokrywę grilla i zdjąć ruszt.
2. Umieścić kilka kostek rozpałki Mustang na tacy na węgiel (A).
3. Ustawić komin bezpośrednio nad rozpałką.
4. Nappełnić komin węglem lub brykietem Mustang.
5. Podpalić podpałkę, wkładając długie zapalaki lub zapalarkę przez otwory w kominie (B).
6. Całkowicie otworzyć dolne przepustnice powietrza (C).
7. Węgiel/brykiet jest gotowy do użycia, kiedy u góry komina do rozpalania zaczną być widoczne płomienie (D).
8. Ostrożnie umieścić rozpalony węgiel/brykiet na tacy na węgiel (E). Pamiętaj o rękawicach odpornych na wysokie temperatury!
9. Zamknąć pokrywę i ustawić przepustnice powietrza wg potrzeb.
10. Grill jest teraz gotowy do użycia.



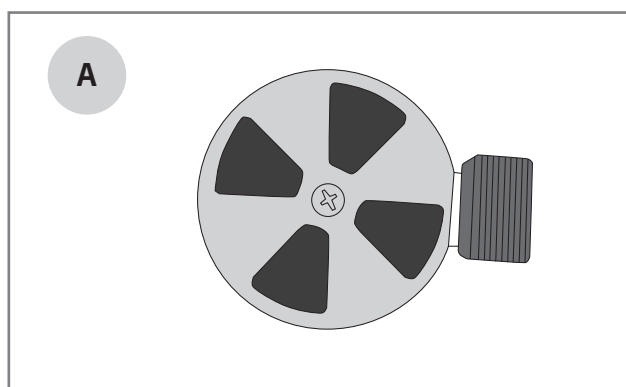
## Grillowanie w wysokiej temperaturze

Potrawy wymagające krótkiego gotowania zwykle grilluje się w temperaturze 220–300°C. Dzięki temu skórka potrawy jest bardziej chrupiąca, a środek pozostaje soczysty.

1. Rozpalić grill zgodnie z instrukcjami.
2. Monitorować temperaturę na termometrze umieszczonym na pokrywie.
3. Po osiągnięciu żądanej temperatury całkowicie otworzyć wszystkie przepustnice powietrza (A).
4. Grill jest teraz gotowy do użycia.



**Zachować ostrożność podczas otwierania pokrywy grilla, aby powoli i bezpiecznie doprowadzić powietrze do żaru. Pozwoli to uniknąć nadmiernego rozbłysku płomienia i uszkodzeń.**



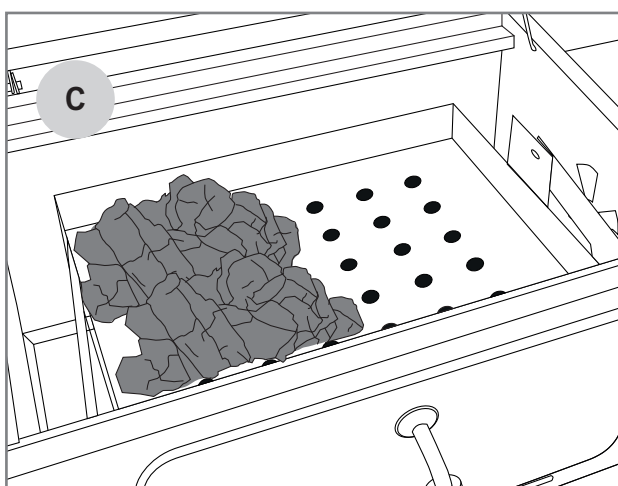
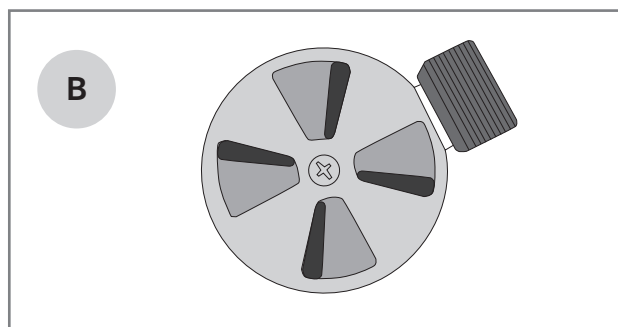
## Grillowanie w niskiej temperaturze

Duże kawałki mięsa zaleca się grillować dłużej w niższej temperaturze. Dzięki temu mięso pozostaje kruche i nie wysusza się. Niska temperatura grillowania jest zalecana również w przypadku niektórych bardziej wrażliwych składników. Wskazówki dotyczące grillowania w niskiej temperaturze:

1. Rozpalić grill zgodnie z instrukcjami.
2. Monitorować temperaturę na termometrze umieszczonym na pokrywie.
3. Po uzyskaniu żądanej temperatury zamknąć górną i dolną przepustnicę powietrza na tyle, na ile to możliwe (B).
4. Bezpośrednie ciepło można ograniczyć, przesuwając żar na jedną stronę grilla (C).
5. Grill jest teraz gotowy do użycia.



**Do regulacji przepustnic powietrza użyć rękawic odpornych na wysokie temperatury.**



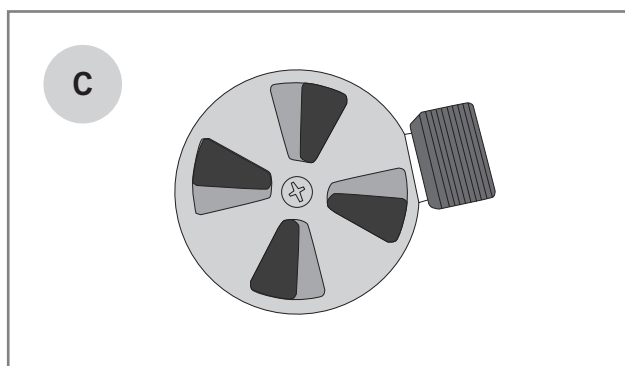
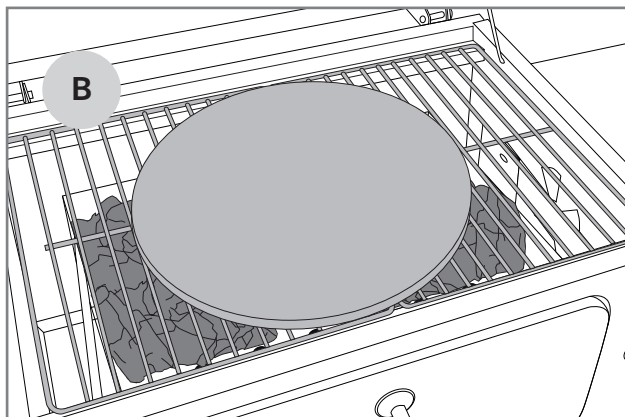
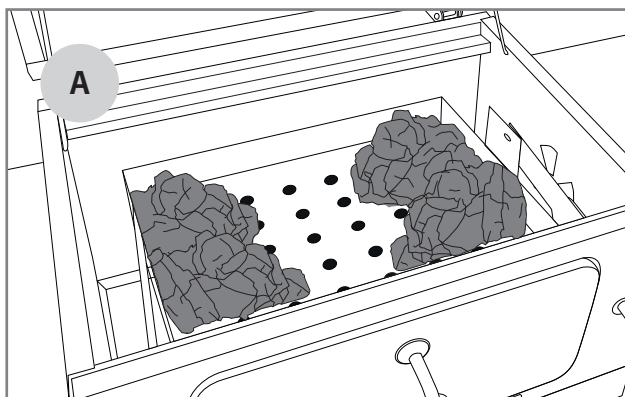
## Grillowanie metodą pośrednią

Grillowanie metodą pośrednią pozwala przygotowywać potrawy wymagające dłuższego grillowania, takie jak pieczeń, cały kurczak czy ryby. Grillowanie metodą pośrednią umożliwia również przygotowywanie wcześniej obsmażonych kawałków mięsa. W celu grillowania metodą pośrednią węgiel umieszcza się tylko po jednej stronie tacy (C).

## Pieczenie i smażenie

Grill w połączeniu z osobnym kamieniem do pieczenia może być również wykorzystywany do pieczenia potraw. Kamień do pieczenia Mustang jest sprzedawany oddzielnie.

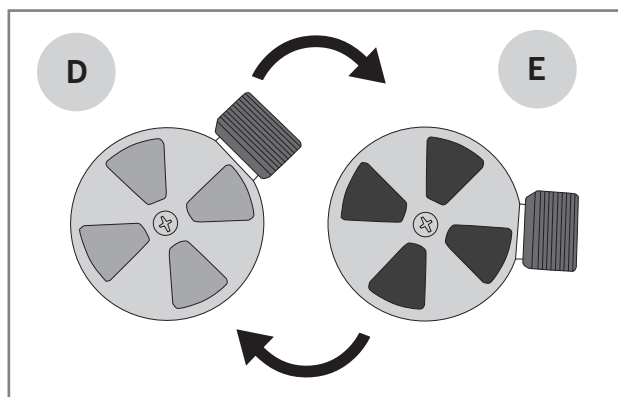
1. Umieścić węgiel po obu stronach tacy (A).
2. Rozpalić grill zgodnie z instrukcjami.
3. Kiedy podpałka wypali się, otworzyć pokrywę i umieścić kamień do pieczenia na ruszcie (B).
4. Zamknąć pokrywę, całkowicie otworzyć przepustnice powietrza i zaczekać, aż żar właściwie się rozpali.
5. Monitorować temperaturę na termometrze umieszczonym na pokrywie.
6. Po osiągnięciu żądanej temperatury zamknąć wszystkie przepustnice do połowy (C).
7. Grill jest teraz gotowy do użycia.



## Ogólne wskazówki dotyczące regulacji temperatury

Temperaturę grilla reguluje się, zmieniając przepływ powietrza. Na temperaturę wpływ mają także ilość i jakość węgla. Poniżej przedstawiono podstawowe zasady regulacji temperatury:

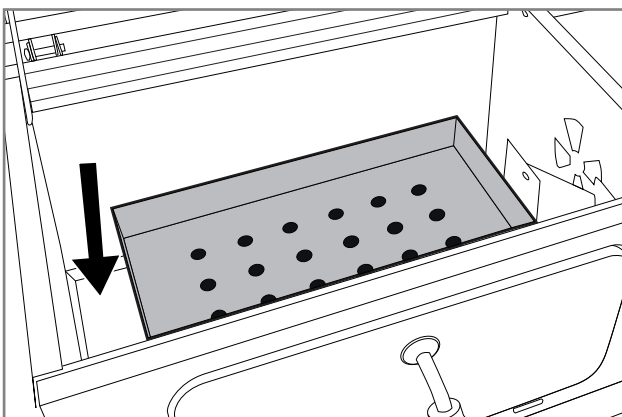
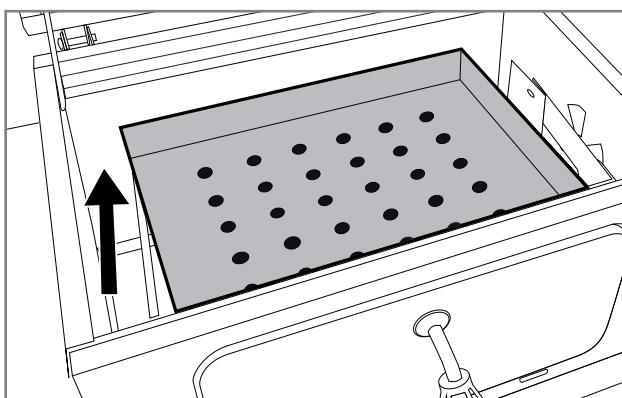
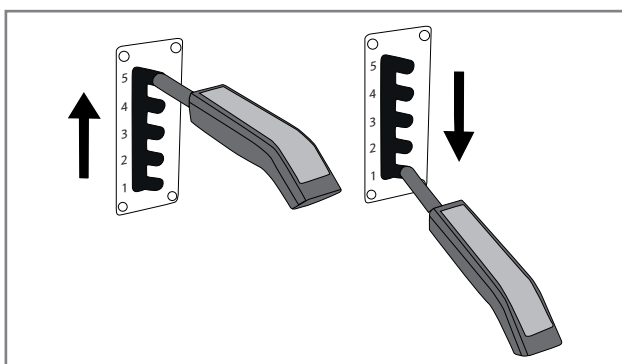
1. Dolne zawory powietrzne dostarczają powietrze do grilla, a górne je odprowadzają.
2. Dolne przepustnice powietrza umożliwiają zgrubną regulację temperatury.
3. Górne zawory powietrzne służą do precyzyjnej regulacji temperatury.
4. Aby zwiększyć temperaturę, należy doprowadzić więcej powietrza do grilla (D-E).
5. Aby obniżyć temperaturę, należy ograniczyć dopływ powietrza do grilla (E-D).



## Podnoszenie/opuszczanie tacy na węgiel

Temperaturę grillowania można również regulować, podnosząc lub obniżając tacę na węgiel. Kiedy taca jest podniesiona, na potrawę oddziałuje punktowo wyższa temperatura, zaś kiedy taca jest obniżona, ciepło jest mniejsze i rozprowadzane po większym obszarze. Na temperaturę wpływ mają także ilość i jakość węgla oraz ustawienie przepustnic powietrza.

Tacę na węgiel podnosi się i opuszcza do żądanej wysokości za pomocą sześciostopniowej dźwigni.



## Dodawanie węgla lub brykietu podczas grillowania

Przy długim grillowaniu może zająć konieczność dodania węgla lub brykietu. W tym celu wystarczy tylko zdjąć jeden z rusztów. Aby dodać węgiel lub brykiet podczas grillowania:

1. Otworzyć pokrywę.
2. Zdjąć jeden z rusztów i odłożyć na bok.
3. Dodać węgiel lub brykiet za pomocą szczypców grillowych. Pamiętać o rękawicach.
4. Założyć ruszt z powrotem.
5. Zamknąć pokrywę.

**i** Każde otwarcie pokrywy powoduje zmianę temperatury wewnątrz grilla. Może to wpłynąć na czas gotowania.

## Ilość węgla drzewnego

Ilość węgla drzewnego należy dobrać do rodzaju grillowanej potrawy i sposobu grillowania. W przypadku potraw przygotowywanych szybko i w wysokiej temperaturze można skorzystać z poniższej tabeli:

Średnica grilla	Ilość węgla drzewnego
< 47 cm	0,3 – 0,5 kg
47 cm	0,6 – 0,8 kg
57 cm	1,0 – 1,2 kg



## Ilość węgla drzewnego do grillowania metodą pośrednią

Grillowanie metodą pośrednią w niskiej temperaturze wymaga dodawania węgla podczas grillowania. Potrzebną ilość węgla można oszacować, korzystając z poniższej tabeli:

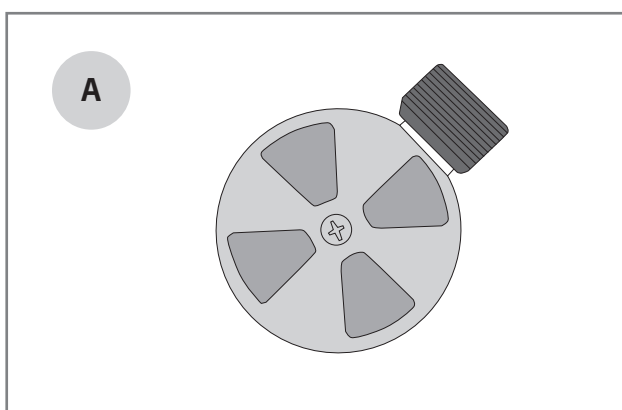
Średnica grilla	Ilość węgla drzewnego	Dodatkowa ilość węgla na godzinę
< 47 cm	0,2 – 0,3 kg	0,3 kg
47 cm	0,3 – 0,4 kg	0,3 kg
57 cm	0,4 – 0,5 kg	0,4 kg

## Wygaszanie grilla

Po zakończeniu korzystania z grilla należy wygasić żar, wykonując poniższe czynności:

1. Zamknąć pokrywę.
2. Całkowicie zamknąć wszystkie przepustnice powietrza (A).
3. Nie otwierać pokrywy ani przepustnic aż do następnego dnia, aby mieć pewność, że żar wygasł, a grill wystygł.

**i** Nie gasić węgla drzewnego wodą. Polanie gorącego węgla wodą może spowodować uszkodzenie grilla.



## Zapłon tłuszczu

Zawsze usuwać nadmiar tłuszczu i marynaty z dna i ścian grilla, tacy na węgiel i rusztu.

Nadmiar nagromadzonego tłuszczu może doprowadzić do jego zapłonu. Ogień może uszkodzić grill i jego otoczenie oraz spowodować niebezpieczeństwo.

Pamiętać o zagrożeniu pożarem, zwłaszcza podczas grillowania dużych ilości tłustego mięsa, ponieważ w tym przypadku na dnie grilla będzie gromadzić się dużo tłuszczu.

## Rozbłyśki płomienia

Okresowe rozbłyśki płomienia to w przypadku grilli opalanych węglem drzewnym zjawisko normalne. Dodaje to smaku przygotowywanym potrawom. Częste rozbłyśki płomienia powodują wzrost wewnętrznej temperatury grilla i wytapianie większej ilości tłuszczu z grillowanej potrawy. To z kolei zwiększa ryzyko zapłonu tłuszczu. Z tego powodu należy wcześniej podjąć odpowiednie środki zapobiegające rozbłyskom płomienia.

1. Usunąć nadmiar tłuszczu z mięsa.
2. Mięso grillować w odpowiedniej dla niego temperaturze.
3. Upewnić się, że na dnie ani na ściankach grilla nie zgromadziła się nadmierna ilość tłuszczu lub marynaty.
4. Nie otwierać pokrywy zbyt często.

**i** Utrzymywanie zamkniętej pokrywy podczas grillowania ułatwia kontrolę temperatury i utrzymywanie jej na stabilnym poziomie.

# Przydatne wskazówki

## Ogólne instrukcje dotyczące grillowania

Grillowanie to łatwy i relaksujący sposób przygotowywania potraw, o ile przestrzegane są podstawowe zasady grillowania:

- **Zacześć, aż węgiel lub brykiet odpowiednio się rozpali.** Kiedy żar przybierze jasnoszary kolor, jest odpowiedni do przygotowania potraw.
- **Grill musi właściwie się rozgrzać.** Ceramiczna obudowa skutecznie zatrzymuje ciepło, co ułatwia regulację temperatury. Kiedy ruszt lub płyta są wystarczająco gorące, potrawa do nich nie przywiera, dzięki czemu grilluje się prawidłowo.
- **Nie grillować na brudnym grillu.** Stara marynata i resztki jedzenia łatwo przywierają do rusztu i żywności. Czyścić ruszt po każdym użyciu. Dzięki temu grill będzie zawsze gotowy na kolejne spotkanie przy grillu.
- **Akcesoria do grillowania trzymać w pobliżu grilla.** Zachowanie kontroli nad czasem grillowania i temperatura jest łatwiejsze, jeśli wszystkie akcesoria, przyprawy, marynaty i dania umieszczone są blisko grilla.
- **Nie otwierać pokrywy grilla zbyt często.** Przy zamkniętej pokrywie temperatura wewnątrz grilla nie opada bez potrzeby, dzięki czemu potrawa jest szybciej gotowa.
- **Nie obracać mięsa zbyt często,** wystarczy raz. Jeśli mięso powoli smaży się na ruszcie/płyce, jego powierzchnia ładnie się przypieka.
- **Używać termometru!** Zbyt długo grillowana potrawa jest sucha i traci smak. Dla jeszcze lepszych rezultatów używać termometru do mięsa.
- **Mięso powinno odpoczywać 10–20 minut** przed krojeniem/podaniem. Podczas odpoczywania temperatura mięsa wyrównuje się, a przy krojeniu nie dochodzi do nadmiernego wypływu soków.

## Marynaty

Podczas grillowania bardzo często używa się marynat. Ich zadaniem jest nadanie grillowanej potrawie głębszego smaku. Jednakże marynata może sprawić, że potrawa będzie przywierać do rusztu. Dodatkowo marynaty na bazie oleju ściekają do paleniska, powodując rozbłyski płomienia, a w niektórych przypadkach mogą się zapalić. Oto kilka wskazówek, które zminimalizują problemy powodowane przez marynaty:

1. Zetrzeć nadmiar marynaty z żywności przed umieszczeniem jej na grillu.
2. Do dodawania marynaty podczas grillowania zawsze używać specjalnego pędzla. Nie wylewać marynaty prosto z butelki na potrawę.
3. Jeśli to możliwe, wybierać suche marynaty do nacierania.

**i Nie używać resztek z marynowania surowego mięsa do marynowania gotowych potraw. W przeciwnym razie może dojść do przeniesienia bakterii z surowego mięsa do ugotowanej potrawy.**

## Zapobieganie przywieraniu potraw do grilla

Przywieranie potraw do rusztu lub płyty to częsty problem, z jakim spotykają się wszystkie osoby zajmujące się grillowaniem. Oto kilka wskazówek, które pomogą uniknąć nadmiernego przywierania potraw:

1. Rozgrzać grill do odpowiednio wysokiej temperatury.
2. Wyczyścić ruszt lub płytę przed umieszczeniem na nich potrawy.
3. Nasmarować olejem powierzchnię rusztu lub płyty oraz potrawy przed ich umieszczeniem na grillu.
4. Wypróbować sztuczkę: Przed rozpoczęciem grillowania przeciąć cebulę na pół i natrzeć nią ruszt. Potrawa nie powinna wówczas przywierać do rusztu.
5. Nie obracać potrawy na grillu zbyt szybko; zaczekać, aż jej powierzchnia odpowiednio się przypiecze.

## Porady w zakresie temperatury grillowania

Poniżej znajduje się tabela z szacunkowymi czasami i temperaturami grillowania najczęściej przygotowywanych potraw. Na czas grillowania wpływ mają czynniki takie jak wiatr, deszcz, temperatura zewnętrzna i czystość grilla.



### Wołowina

Rodzaj	Grubość/masa	Sposób grillowania	Czas grillowania
Polędwica/stek z polędwicy	ok. 2 cm	Bezpośredni w wysokiej temperaturze	2,5–3,5 min na stronę
Polędwica/stek z polędwicy	ok. 5 cm	Bezpośredni w wysokiej temperaturze Pośredni w średniej temperaturze	2,5 min na stronę 8–10 min
Cała polędwica	ok. 1,5 kg	Bezpośredni w wysokiej temperaturze Pośredni w średniej temperaturze	3 min na stronę 20–30 min
Pieczeń	ok. 1,5 kg	Bezpośredni w średniej temperaturze Pośredni w średniej temperaturze	3–4 min na stronę 30–40 min
Hamburger	ok. 2 cm	Bezpośredni w wysokiej temperaturze	2–3 min na stronę
Temperatura wewnętrzna			
Krwisty/półkrwisty		47–51°C	
Średnio wysmażony		52–58°C	
Dobrze/bardzo dobrze wysmażony		59–66°C	



### Wieprzowina

Rodzaj	Grubość/masa	Sposób grillowania	Czas grillowania
Karkówka	ok. 2 cm	Bezpośredni w wysokiej temperaturze	2–2,5 min na stronę
Polędwiczka	ok. 600 g	Bezpośredni w wysokiej temperaturze Pośredni w średniej temperaturze	3 min na stronę 20–30 min
Żeberka	ok. 1,5 kg	Pośredni w średniej temperaturze Bezpośredni w wysokiej temperaturze	60–90 min 4 min na stronę
Schab	ok. 3 cm	Bezpośredni w średniej temperaturze Pośredni w średniej temperaturze	2,5–3 min na stronę 15–20 min
Surowa kiełbasa	ok. 400 g	Bezpośredni w niskiej temperaturze	2–3 min na stronę
Temperatura wewnętrzna			
Dobrze wysmażony kotlet		65–70°C	
Dobrze wysmażony inny rodzaj mięsa		65–70°C	



## Kurczak i indyk

Rodzaj	Grubość/masa	Sposób grillowania	Czas grillowania
Filet z piersi	ok. 200 g	Bezpośredni w średniej temperaturze	5–6 min na stronę
Udko	ok. 120 g	Bezpośredni w średniej temperaturze	5–6 min na stronę
Skrzydło	ok. 500 g	Bezpośredni w średniej temperaturze	6–10 min
		Pośredni w średniej temperaturze	30–40 min
Cały kurczak	ok. 900 g	Pośredni w średniej temperaturze	60–75 min
Temperatura wewnętrzna			
Dobrze wysmażony		75°C	



## Ryby

Rodzaj	Grubość/masa	Sposób grillowania	Czas grillowania
Cienki filet	ok. 200 g	Bezpośredni w średniej temperaturze	2–3 min na stronę
Gruby filet	ok. 120 g	Bezpośredni w średniej temperaturze	5–6 min na stronę
Cała ryba	ok. 500 g	Pośredni w średniej temperaturze	20–30 min
Temperatura wewnętrzna			
Różowa		45–50°C	
Dobrze wysmażona		55–60°C	



## Warzywa

Rodzaj	Grubość/masa	Sposób grillowania	Czas grillowania
Gotowana kukurydza		Bezpośredni w średniej temperaturze	6 min
Pomidor		Bezpośredni w średniej temperaturze	6 min na stronę
Szparagi		Bezpośredni w średniej temperaturze	3–5 min
Ziemniaki w plasterkach		Bezpośredni w średniej temperaturze	5–8 min
		Pośredni w średniej temperaturze	10–15 min
Surowe ziemniaki		Pośredni w średniej temperaturze	45–60 min

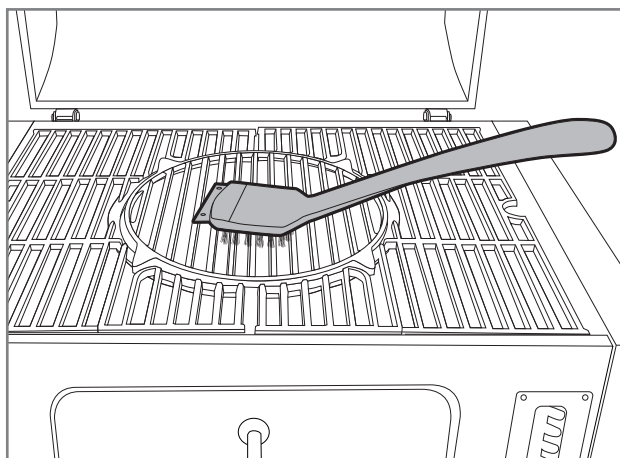
# Czyszczenie i przechowywanie grilla

Regularne czyszczenie i odpowiednia pielęgnacja grilla znacząco wydłużą czas jego użytkowania. Jeśli grill nie rozgrzewa się wystarczająco lub potrawa nadmiernie przywiera do rusztu, oznacza to, że grill nie został odpowiednio wyczyszczony lub był pielęgnowany niezgodnie z instrukcją.

## Ruszt i płyta

Ruszt i płytę czyścić natychmiast po użyciu, kiedy grill jest jeszcze ciepły. Do czyszczenia grilla używać szczotki lub skrobaka.

Ruszt i płytę można również umyć ciepłą wodą z łagodnym detergentem. Po umyciu starannie osuszyć i nasmarować ruszt i płytę.



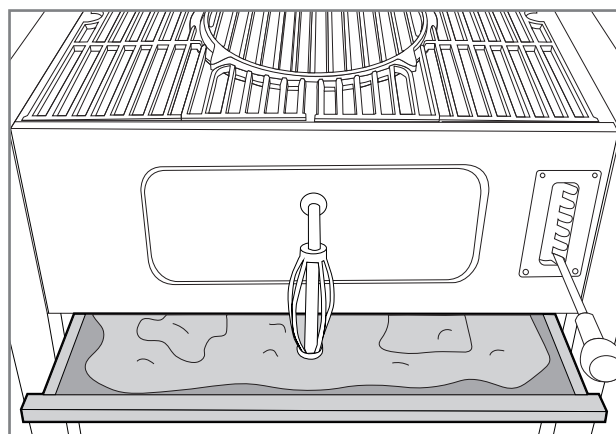
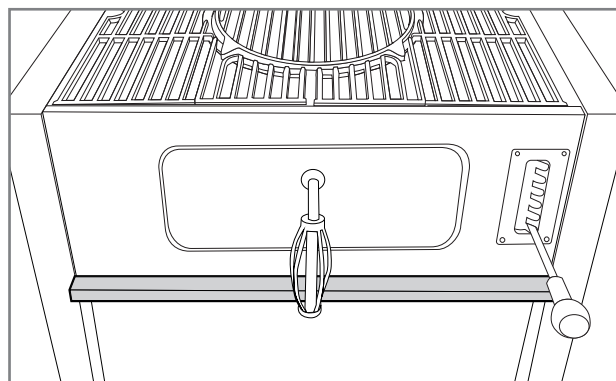
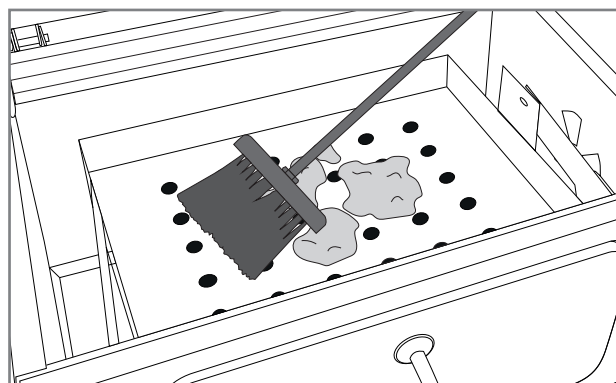
**i** Do czyszczenia grilla nie używać stalowej szczotki. Uszkodzenia spowodowane używaniem takiej szczotki nie są objęte gwarancją.

## Usuwanie popiołu

Kiedy żar wygaśnie, a grill wystygnie, można usunąć popiół i wyczyścić tacę na węgiel.

W wilgotnym otoczeniu drobny pył może wchłaniać wilgoć, co przyczynia się do rdzewienia tacy na węgiel. Regularnie czyścić tacę na węgiel.

Do czyszczenia tacy używać szczotki. Popiół usuwać, wyjmując cały popielnik.



## Zewnętrzne powierzchnie i stalowe części grilla

Regularnie czyścić zewnętrzne powierzchnie i stalowe części grilla. Stosować się do ogólnych instrukcji czyszczenia takich elementów.

1. Do czyszczenia stalowych części grilla używać płynu do czyszczenia grilli Mustang lub łagodnego płynu do mycia naczyń i ściereczki.
2. Dokładnie osuszyć umyte części.
3. Nie czyścić powierzchni, na których znajdują się etykiety, przy użyciu detergentów, ponieważ mogą one zmyć tekst lub nawet usunąć całą etykietę.
4. Zewnętrzne powierzchnie grilla czyścić co najmniej trzy razy w roku, aby nie pozostały na nich plamy.
5. Zawsze przetestować działanie detergentu w mało widocznym miejscu.

**i** Chlor i sól mogą powodować rdzewienie grilla. Jeśli grill jest używany w bezpośrednim sąsiedztwie basenu lub zbiornika ze słoną wodą, należy go czyścić raz w tygodniu.

## Konserwacja

Zaleca się smarowanie części stalowych dostępnym w sklepach olejem do stali 2–3 razy w roku. Zapobiegnie to powstawaniu plam i rdzewieniu stalowych powierzchni.

Przed użyciem oleju sprawdzić, czy jest on odpowiedni: nałożyć niewielką ilość oleju w mało widocznym miejscu.

Regularnie sprawdzać dokręcenie śrub wózka, przepustnic i uchwytów. Poluzowane śruby mogą być przyczyną dużych wahań temperatury.

Dwa razy w roku nasmarować ruchome elementy stalowych zawiasów olejem uniwersalnym.

**i** Nie dokręcać śrub za pomocą wkrętarki elektrycznej, ponieważ może to doprowadzić do uszkodzenia śrub i innych stalowych części. Uszkodzenia spowodowane nadmiernym dokręceniem śrub nie są objęte gwarancją.

## Przechowywanie

Jeśli grill nie będzie używany przez dłuższy czas lub wymaga zabezpieczenia na sezon zimowy, zapoznać się z poniższymi wskazówkami. Prawidłowe przechowywanie wydłuża trwałość grilla i zapewnia jego prawidłowe działanie przez wiele lat. W celu przechowywania grilla:

1. Dokładnie wyczyścić grill zgodnie z instrukcjami zawartymi w niniejszym dokumencie.
2. Upewnić się, że wszystkie ruszty są nasmarowane.
3. Jeśli grill będzie przechowywany na zewnątrz, zdjąć ruszty i płyty z grilla. Elementy te należy przechowywać w suchym i ciepłym miejscu. Zaleca się również owinięcie ich gazetami lub podobnym materiałem, który zabezpieczy je przed zarysowaniami.
4. Jeśli grill będzie przechowywany na zewnątrz, zaleca się zakup dobrej jakości pokrowca, który przykryje cały grill. Upewnić się, że pod pokrowcem zapewniony jest odpowiedni przepływ powietrza.

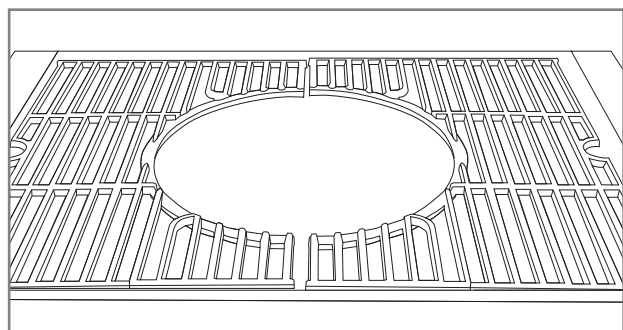
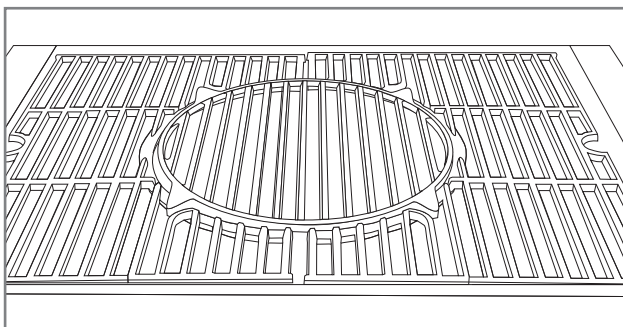
**i** Nie przechowywać grilla w miejscu, w którym może zostać przysypany śniegiem spadającym z dachu. Uszkodzenia spowodowane śniegiem i lodem nie są objęte gwarancją.

# Ruszt Multigrill i akcesoria

## Żeliwny ruszt Multigrill

Niektóre modele grilli są standardowo wyposażone w ruszt Multigrill, do którego dostępnych jest wiele akcesoriów.

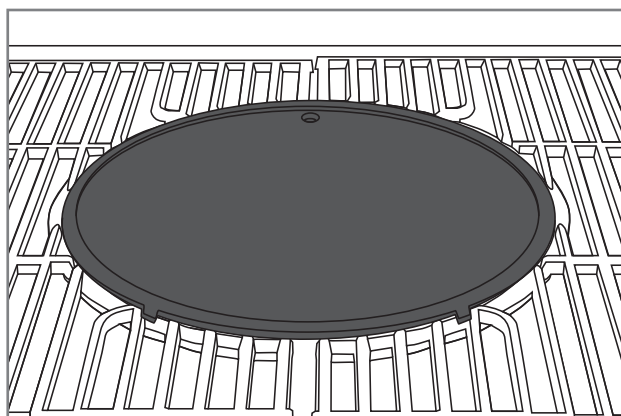
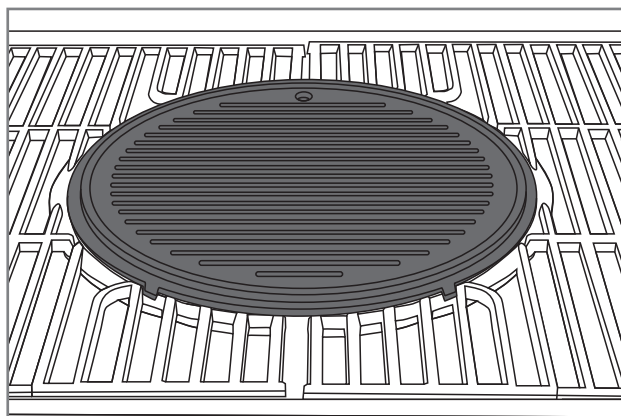
W przypadku modeli bez rusztu Multigrill wybrane akcesoria mogą być używane bezpośrednio na zwykłym ruszcie.



## Żeliwna płyta grillowa

Nr katalogowy: 603434

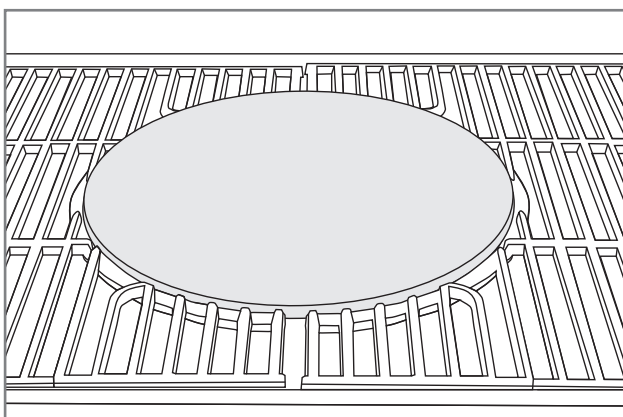
Jedna strona płyty jest rowkowana, zaś druga – płaska. Ø30 cm.



## Kamień do pieczenia/pizzy

Nr katalogowy: 316871

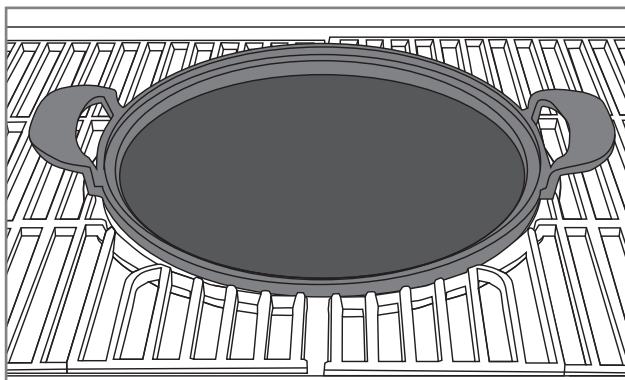
Kamień do pieczenia Mustang o średnicy Ø30,5 cm wykonany jest z trwałego kordierytu. Przeznaczony jest do pieczenia chleba, ciast i pizzy.



## Płytko patelnia żeliwna

Nr katalogowy: 603435

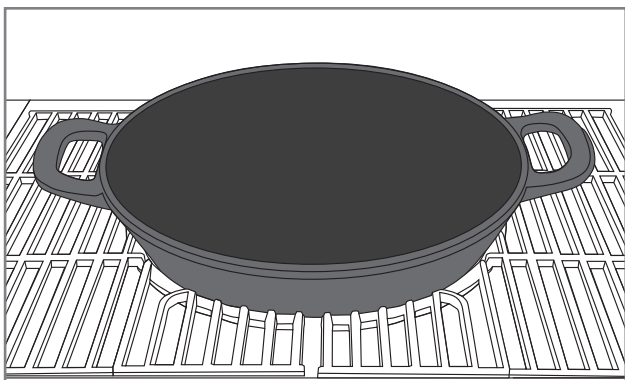
Płytko patelnia żeliwna umożliwia gotowanie na grillu wielu różnych potraw. Poręczne uchwyty ułatwiają podnoszenie patelni z grilla. Ø30 cm.



## Wok żeliwny

Nr katalogowy: 603438

Żeliwny wok Mustang to idealne rozwiązanie do przygotowywania na grillu warzyw i innych potraw stir-fry. Posiada uchwyty ułatwiające podnoszenie. Ø30 cm.





# Rozwiązywanie problemów

Może się zdarzyć, iż grill nie będzie działał prawidłowo. Nieprawidłowości można jednak łatwo usunąć. Jeśli rozwiązania danego problemu nie ma w poniższej tabeli, należy skontaktować się ze sprzedawcą.

Problem	Prawdopodobna przyczyna	Rozwiązanie
Przepustnice powietrza nie działają prawidłowo.	Śruby zaworów powietrznych są zbyt mocno dokręcone.	Poluzuj śruby zaworów powietrznych.
	Przepustnice zostały zablokowane przez brud i tłuszcz.	Poluzować śruby przepustnic i wyczyścić przepustnice.
Grill nie rozpała się.	Przepustnice powietrza są zamknięte.	Otworzyć przepustnice powietrza.
	Węgiel lub brykiet są wilgotne.	Wymienić węgiel lub brykiet.
Grill nie rozgrzewa się wystarczająco	Do paleniska nie dopływa odpowiednia ilość tlenu.	Całkowicie otworzyć dolne przepustnice powietrza.
	Ilość węgla jest niewystarczająca.	Dodać węgla i otworzyć dolne przepustnice powietrza.
Grill przegrzewa się.	Do paleniska dopływa zbyt duża ilość tlenu.	Zamknąć przepustnice powietrza i poczekać na przygaszenie się żaru. Kiedy temperatura obniży się, nieznacznie otworzyć przepustnice powietrza. W razie potrzeby ponownie rozpalić grill.

## Gwarancja

Niniejszym gwarantujemy, że grille Mustang opalane węglem drzewnym są wolne od wad materiałowych i wykonawczych przez okres co najmniej 12 miesięcy. Warunki gwarancji różnią się zależnie od modelu. Aktualne warunki i okres obowiązywania gwarancji można znaleźć na naszej stronie internetowej

**[mustang-grill.com](http://mustang-grill.com)**

Wszelkie roszczenia gwarancyjne są rozpatrywane po okazaniu dowodu zakupu z wyszczególnionym miejscem i datą zakupu.



# MUSTANG

EN

## The most extensive barbecue product selection

Grills | Pizza | Smoking | Accessories

FI

## Kaikkein laajin grillausvalikoima

Grillaus | Pizza | Savustus | Tarvikkeet

SV

## Det bredaste grillningssortimentet

Grillning | Pizza | Rökning | Tillbehör

NO

## Et svært eksklusivt utvalg av grillprodukter

Griller | Pizza | Røyking | Tilbehør

DA

## Det største udvalg af grillprodukter

Grill | Pizza | Rygning | Tilbehør

ET

## Kõige laiem grillimistoodete valik

Grillimine | Pitsa küpsetamine | Suitsutamine | Tarvikud

LV

## Plašākā grilu izvēle

Grilēšana | Pica | Kūpināšana | Piederumi

LT

## Visapusiškas kepsninių asortimentas

Kepsninės | Pica | Rūkymas | Priedai

DE

## Ein äußerst umfangreiches Sortiment an Barbecue-Produkten

Grillen | Pizza | Rauchen | Zubehör

PO

## Największy wybór produktów do grillowania

Grillowanie | Pizza | Wędzenie | Akcesoria





  
**MUSTANG**

[mustang-grill.com](http://mustang-grill.com)