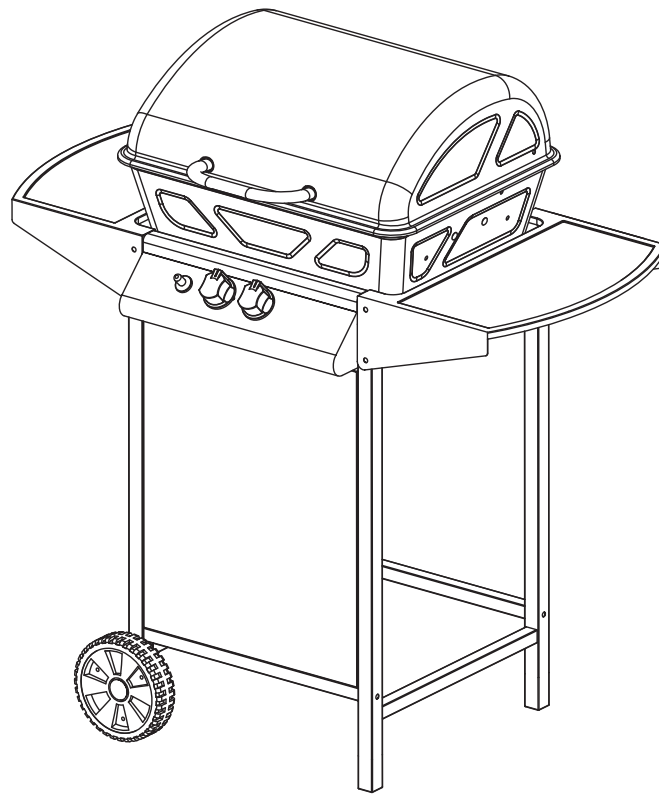


## PECOS 2



EN

FI

SV

DK

NO

ET

LV

LT

### EN Gas Grill

FOR OUTDOOR USE ONLY. PLEASE READ THESE INSTRUCTIONS CAREFULLY BEFORE ASSEMBLY. RETAIN THIS MANUAL FOR FUTURE REFERENCE.

**Prior to installation, ensure that the local distribution conditions (nature of gas and gas pressure) and the adjustment of the appliance are compatible. The adjustment conditions for this appliance are stated on the data plate.**

### FI Kaasugrilli

VAIN ULKOKÄYTTÖÖN. LUE OHJEET HUOLELLISESTI ENNEN LAITTEEN KÄYTTÖÖNOTTOA. SÄILYÄ TÄMÄ OHJE MYÖHEMPÄÄ KÄYTTÖÄ VARTEN.

**Tarkista ennen laitteen asentamista, että laitteen säädöt vastaavat paikallisia kaasuliitäntöjä koskevia vaatimuksia (kaasun tyyppi ja paine). Laitteen säädöt on ilmoitettu arvokilvessä.**

### SV Gasgrill

FÅR ENDAST ANVÄNDAS UTMOMHUS. LÄS ANVISNINGARNA NOGRANT INNAN APPARATEN TAS I BRUK. FÖRVARA DESSA ANVISNINGAR FÖR FRAMTIDA REFERENS.

**Kontrollera före installationen att de lokala distributionsförhållandena (typ av gas och gasstryck) och apparatens inställningar är kompatibla. Inställningsvillkoren för den här apparaten anges på märkskylten.**

### DK Gasgrill

KUN TIL UDENDØRS BRUG. LÆS DENNE VEJLEDNING OMHYGGELIGT, FØR DU BEGYNDER AT SAMLE OG BRUGE PRODUKTET. GEM DENNE VEJLEDNING TIL SENERE BRUG SOM OPSLAGSVÆRK.

**Før installationen skal du sikre dig, at de lokale distributionsforhold (gassens art og gastryk) og apparatets indstilling er compatible. Justeringsbetingelserne for dette apparat er angivet på datapladen.**

### NO Gassgrill

KUN TIL UTENDØRS BRUK. LES DISSE INSTRUKSJONENE NØYE FØR MONTERING OG BRUK AV PRODUKTET. TA VARE PÅ DISSE INSTRUKSJONENE FOR FREMTIDIG BRUK.

**Før installasjonen må du forsikre deg om at de lokale distribusjonsforholdene (gassens art og gasstrykk) og innstillingen av apparatet er compatible. Justeringsbetingelsene for dette apparatet er angitt på typeskiltet.**

### ET Gaasigrill

MÕELDUD AINULT VÄLISTINGIMUSTES KASUTAMISEKS. ENNE GRILLAHJU KOKKUPANEMIST LUGEGE JUHEND HOOLIKALT LÄBI. HOIDKE SEE JUHEND EDASPIDISEKS KASUTAMISEKS ALLES.

**Veenduge enne paigaldamist, et seadme seadistused vastavad kohaliku gaasiühenduse tingimustele (gaasi tüüp ja rõhk). Teadet seadme seadistuste kohta leiate selle andme-siidilt.**

### LV Gāzes grils

LIETOŠANAI ĀRA APSTĀKĻOS. PIRMS MONTĀŽAS UZMANĪGI IZLASIET INSTRUKCIJU. SAGLABĀJIET ŠO INSTRUKCIJU TURPMĀKĀI ATSAUCEI.

**Pirms uzstādīšanas pārlicinieties, vai vietējie sadales nosacījumi (gāzes veids un spiediens) ir saderīgi ar ierīces iestatījumiem. Šīs ierīces iestatīšanas nosacījumi ir norādīti uz datu plāksnītes.**

### LT Dujinis keptuvas

SKIRTA NAUDOTI TIK LAUKE. PRIEŠ SURINKDAMI ĮDĖMIAI PERSKAITYKITE ŠIAS INSTRUKCIJAS. SAUGOKITE ŠIĄ INSTRUKCIJĄ, KAD ATEITYJE PRIREIKUS GALĖTUMĖTE PERŽIŪRĖTI.

**Prieš įrengdami įsitinkinkite, kad vietos inžinerinių tinklų sąlygos (dujų kilmė ir dujų slėgis) atitinka prietaiso parametrus. Šio prietaiso parametrai nurodyti duomenų lentelėje.**

 2575-24  
PIN 2575DP42160 

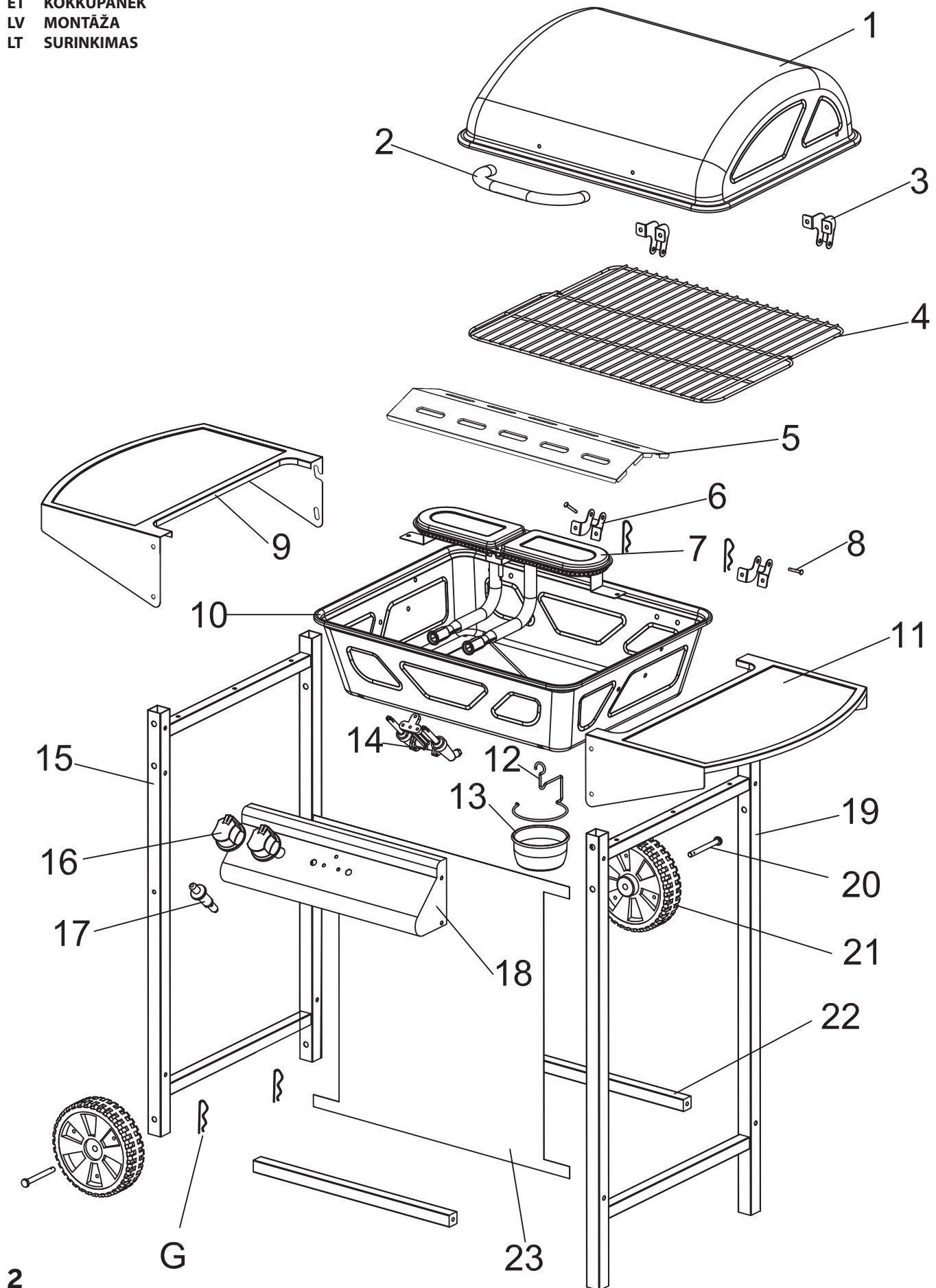
640286 / G2082







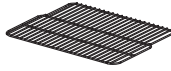
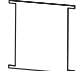
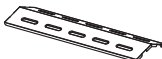



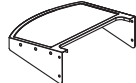

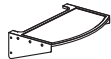


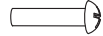
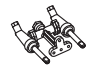
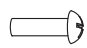

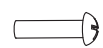




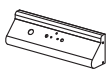

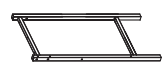

Info/Tootja/Ražotājs/Gamintojas: Tammer Brands Oy,  
Viinikankatu 36, 33800 Tampere, Finland

[www.mustang-grill.com](http://www.mustang-grill.com)

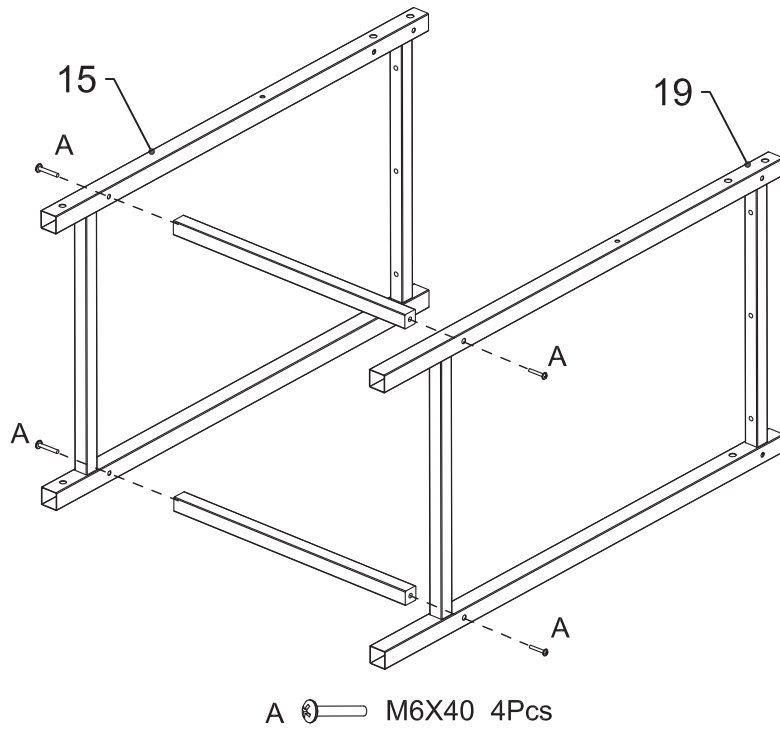
Country of use/ Käyttömaa/ Användningsland/ Anvendelsesland/  
Bruksland/ Kasutusriik/ Izmantošanas valsts/ Naudojimo šalis:  
I3B/P(30): LU, NL, DK, FI, SE, CY, CZ, EE, LT, MT, SK, SI, BG, IS, NO, TR, HR, RO, IT, HU

EN ASSEMBLY INSTRUCTIONS  
 FI KOKOAMISOHJEET  
 SV MONTERINGSINSTRUKTIONER  
 DK SAMLINGSVEJLEDNING  
 NO MONTERINGSANVISNING  
 ET KOKKUPANEK  
 LV MONTĀŽA  
 LT SURINKIMAS

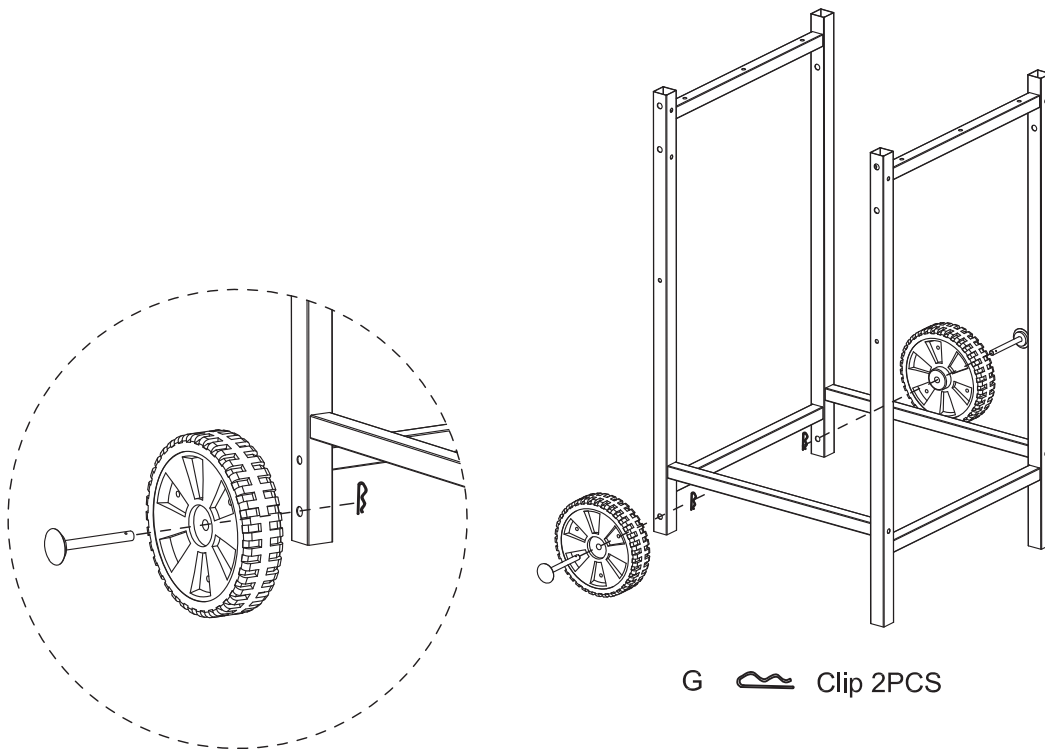


NO.	Description	Figure	Q'TY	NO.	Description	Figure	Q'TY
1	Lid		1	20	Wheel Axle		2
2	Lid Handle		1	21	Wheel 6"		2
3	Lid Hinge		2	22	Transverse Tube		2
4	Cooking Grid		1	23	Front Cloth		1
5	Flame Tamer		1				
6	Body Hinge		2				
7	Burner		1				
8	Hinge Axle		2				
9	Side Shelf,Left		1				
10	Body		1				
11	Side Shelf,Right		1				
12	Grease Cup Hook		1				
13	Grease Cup		1	A	Screw (M6X40)		4
14	Valve		1	B	Screw (M6X10)		8
15	Left Leg		1	C	Screw (M5X30)		10
16	Knob		2	D	Screw (M5X10)		13
17	Ignitor		1	E	M5Nut		18
18	Control Panel		1	F	Screw (M4X10)		4
19	Right Leg		1	G	Clip		4

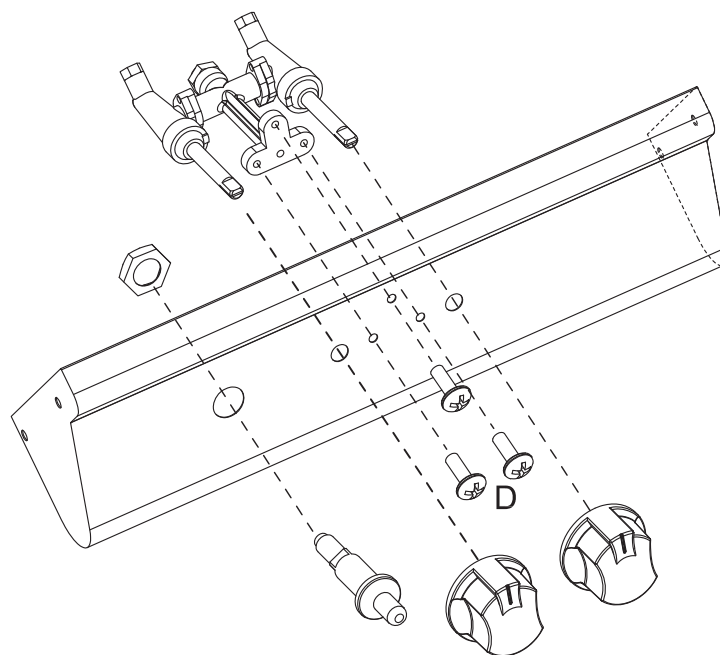
## STEP 1



## STEP 2

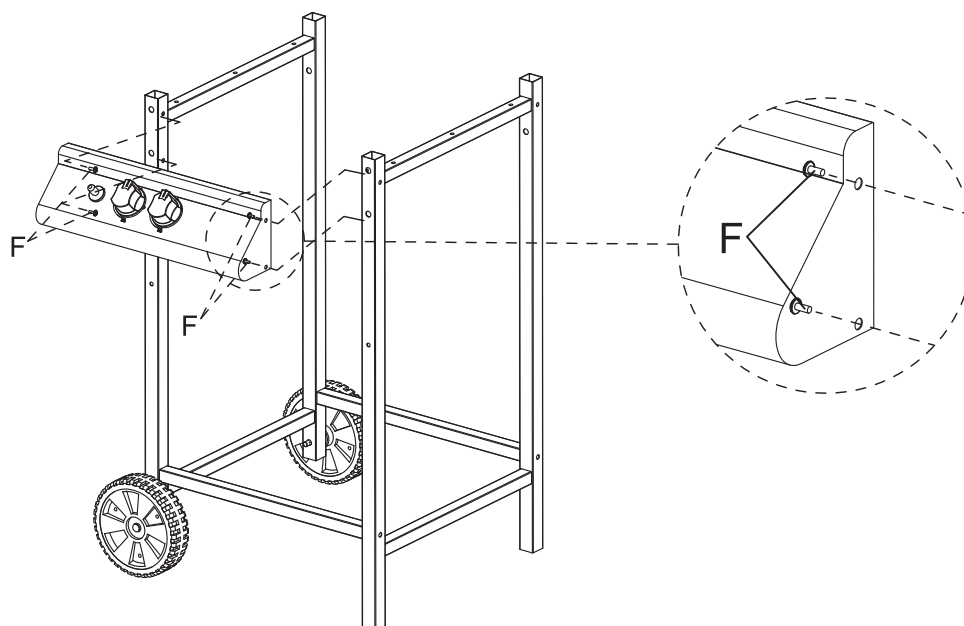


### STEP 3



D  M5X10 3Pcs

### STEP 4



F  M4X10 4Pcs

EN

FI

SV

DK

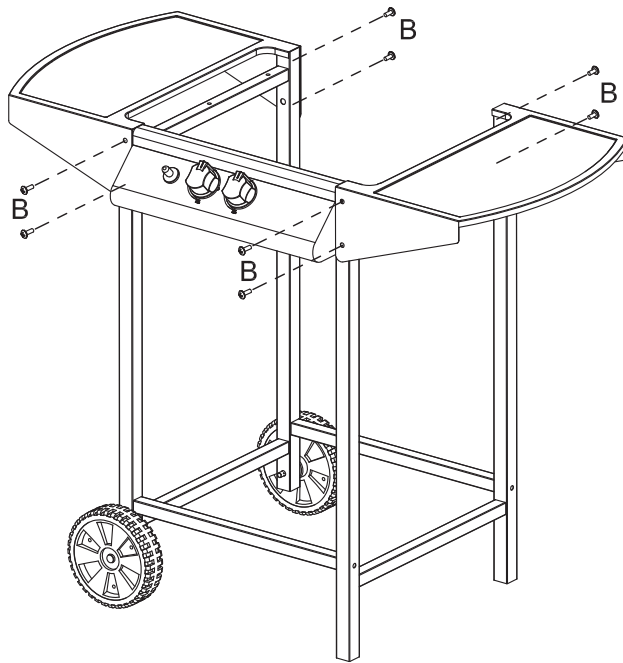
NO

ET

LV

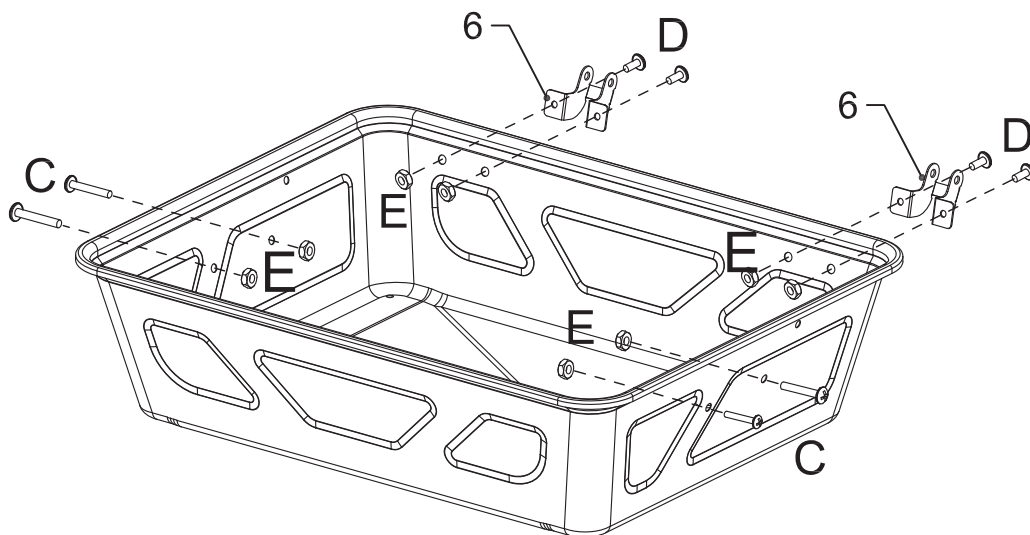
LT




## STEP 5



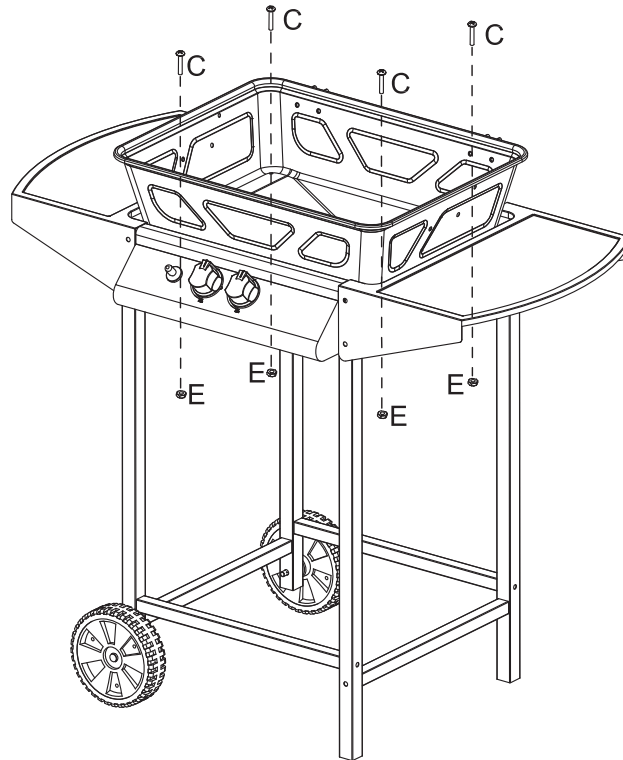
B  M6x10 8Pcs



## STEP 6



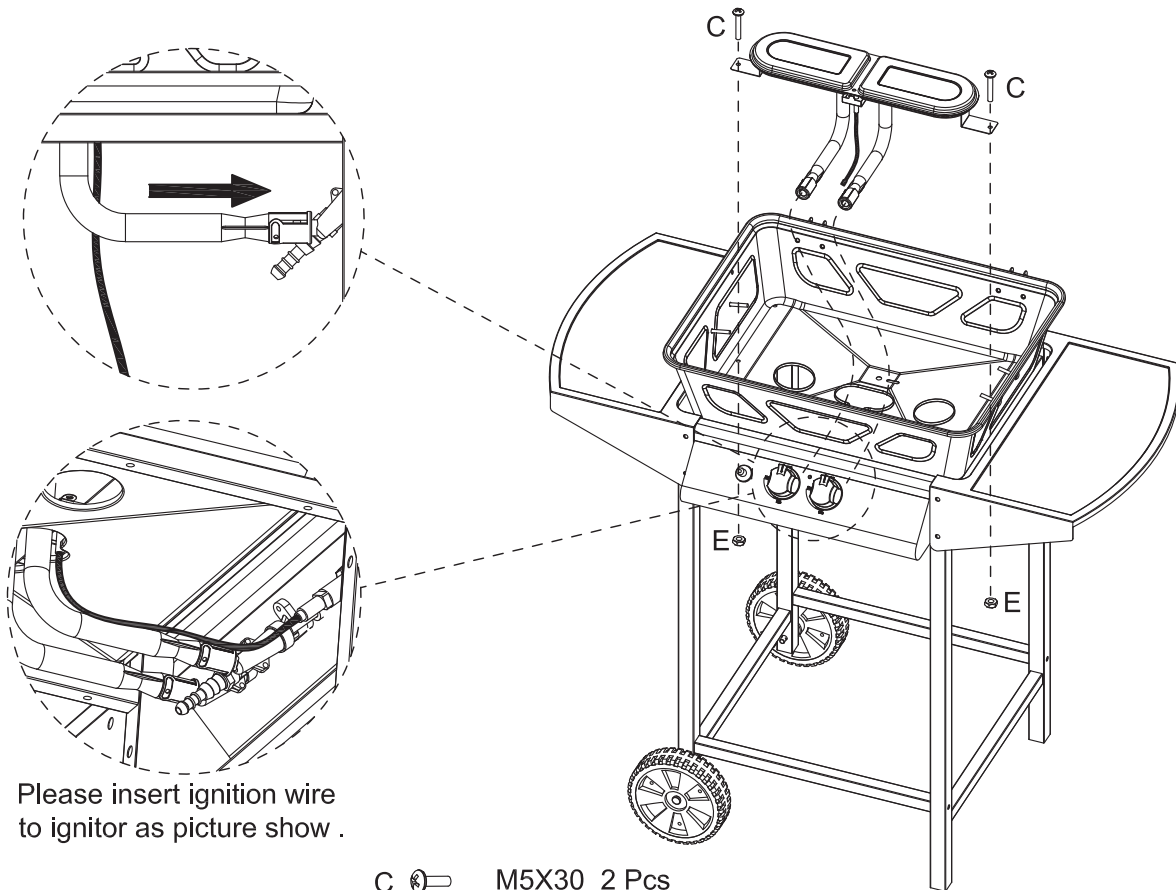
C  M5X30 4Pcs  
 D  M5X10 4Pcs  
 E  M5Nut 8Pcs

### STEP 7





- C  M5X30 4Pcs
- E  M5Nut 4Pcs

### STEP 8

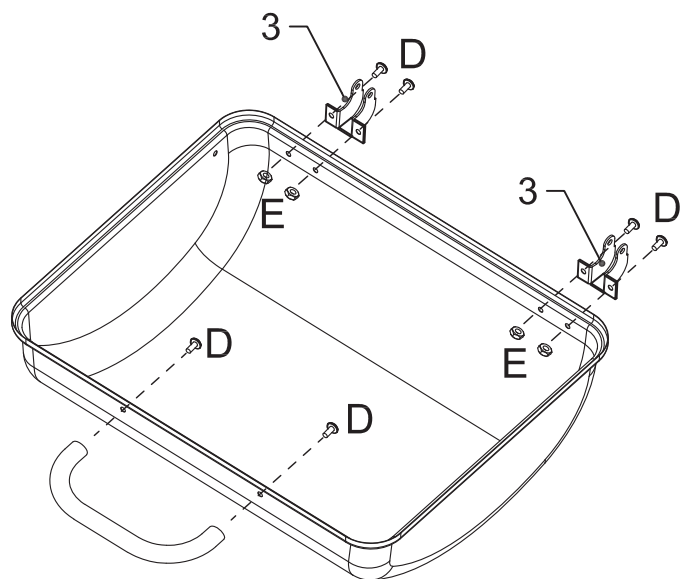




Please insert ignition wire to ignitor as picture show .

- C  M5X30 2 Pcs
- E  M5 Nut 2 Pcs

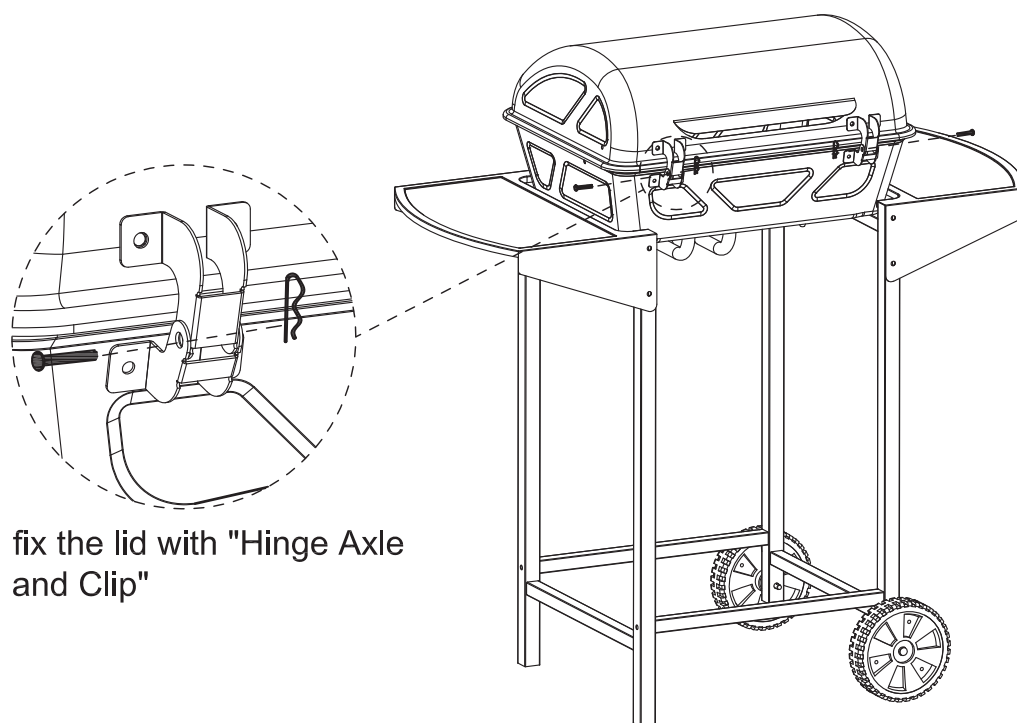
- EN
- FI
- SV
- DK
- NO
- ET
- LV
- LT

### STEP 9





- D  M5X10 6Pcs
- E  M5Nut 4Pcs

### STEP 10

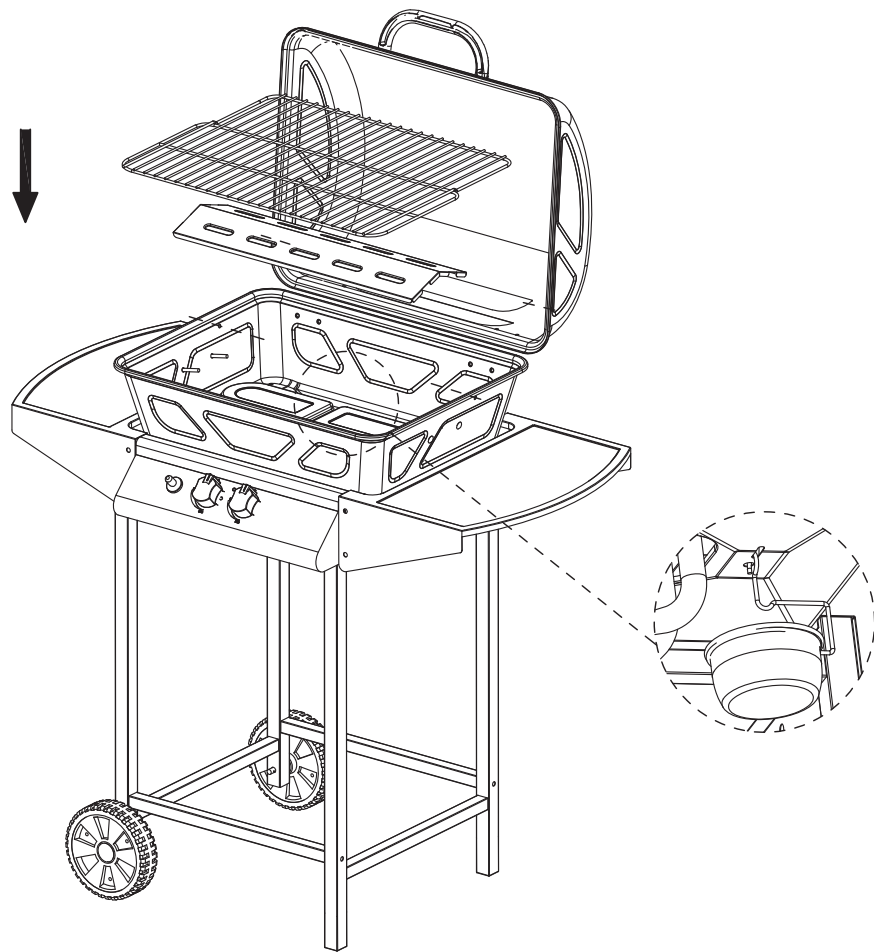


fix the lid with "Hinge Axle and Clip"

-  Clip 2PCS
-  Hinge Axle 2PCS

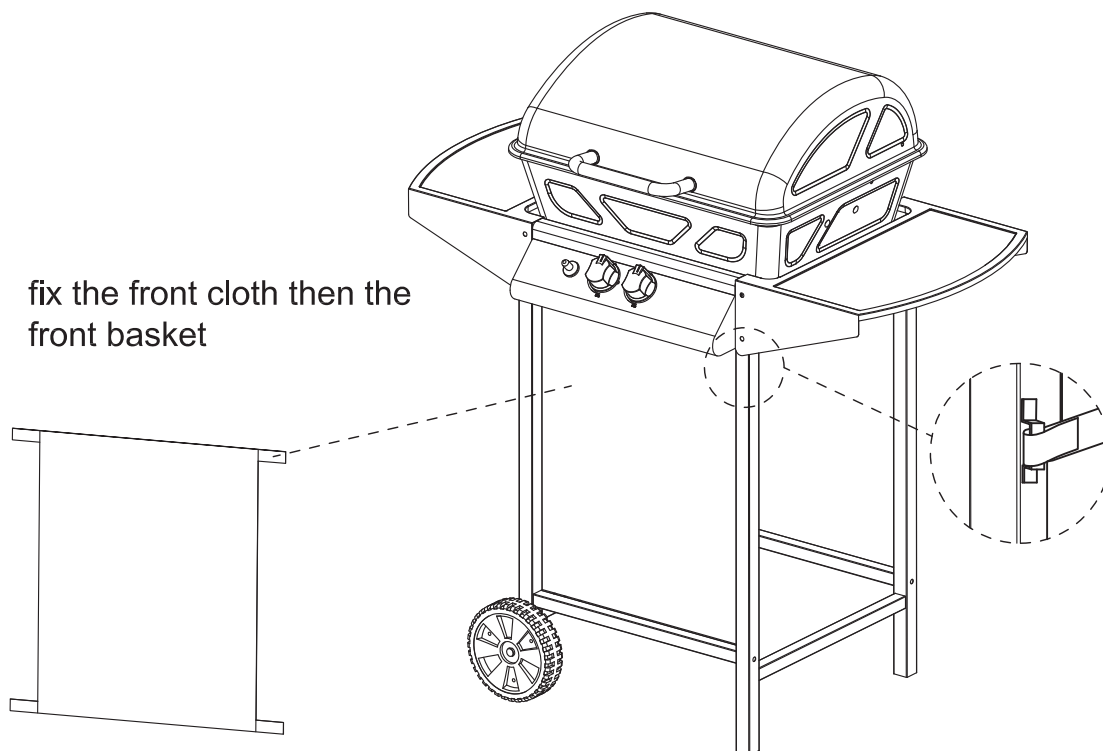


## STEP 11



- EN
- FI
- SV
- DK
- NO
- ET
- LV
- LT

## STEP 12



Congratulations on choosing your Mustang product! The Mustang family of barbecuing products was designed for cooking good food. Our line includes a wide range of barbecuing and cooking products. Go to [www.mustang-grill.com](http://www.mustang-grill.com) or your nearest licensed Mustang retailer to find out more about our selection of products! We are continually developing the Mustang line and other products it has to offer. Feedback from users plays an important role in our product development for quality assurance. We are always happy to receive any feedback on our products at [mustang@mustang-grill.com](mailto:mustang@mustang-grill.com).

This product was designed for ease and problem-free use. Please carefully go over the user instructions so you will get the most out of your grill. With careful, regular cleaning and maintenance of your grill, you will prolong its life and safety. The Mustang line of products also offers proper cleaning products and tools for its care.

For more information, go to: [www.mustang-grill.com](http://www.mustang-grill.com).

Contact information on Mustang maintenance services is available at [www.mustang-grill.com](http://www.mustang-grill.com).

#### **DANGER:**

If you smell gas:

1. Shut off gas supply to the appliance.
2. Extinguish any open flames, and avoid using any electrical appliance.
3. Open the lid and ventilate the area.
4. Check the gas connections with a soap solution.
5. If the odour still exists, immediately contact your gas supplier or fire department

#### **IMPORTANT:**

Hazardous fire or explosion may result if these instructions are ignored.

It is the user's responsibility to ensure that the barbecue is properly assembled, installed, and maintained. Failure to follow the instructions in this manual could result in serious bodily injury and/or property damage.

Any modification or misuse of the appliance and failure to follow the instructions may be dangerous.

#### **WARNING:**

The accessible parts may be very hot. Keep young children away. This appliance must be kept away from flammable materials during use.

Please keep this manual for future reference.

#### **Technical Information:**

APPLIANCE CODE:	G2082 (640286)
TOTAL HEAT INPUT	
(ALL GAS CATEGORIES):	5,5 kW (400 g/h)
GAS CATEGORY:	I3B/P(30)
TYPES OF GAS:	LPG gas mixtures
GAS PRESSURE:	30 mbar
INJECTOR SIZE:	Main burners: 0.84 mm

FOR OUTDOOR USE IN WELL VENTILATED AREAS

WARNING: ACCESSIBLE PARTS MAY BE VERY HOT.

KEEP YOUNG CHILDREN AWAY.

READ THE INSTRUCTIONS BEFORE USING THE BARBECUE.

#### **IMPORTANT:**

Read the following instructions carefully and ensure that your barbecue is properly installed, assembled, and maintained. Failure to follow these instructions may result in serious bodily injury and/or property damage.

If you have any questions concerning the assembly or operation

of the barbecue, consult your retailer.

Make sure that the barbecue and gas cylinder are on flat, level ground when using the appliance.

Never light the appliance with the lid in the closed position.

Never attempt to light or use the side burner with the lid in the closed position as a hazardous condition could arise and damage can occur to the appliance.

The low pressure regulator and gas hose must be of a type approved by the country of use.

If these parts need to be replaced, contact your customer service or retailer.

Using unauthorised parts in the barbecue can cause a dangerous situation and unsafe environment of use.

NOTE FOR CONSUMER: Retain the instructions for future reference.

#### **Safety instructions**

Leak test all of the connections according to the instructions after each tank is refilled or the first use after a long period.

Never use an LP gas tank with a damaged body, valve, collar, or footing.

Do not store an LP gas tank under the barbecue when using the appliance.

The use of alcohol or prescription/non-prescription drugs may impair the ability to properly assemble or safely operate the appliance.

Never use charcoal, lighter fluid, lava rocks, gasoline, kerosene, or alcohol within this barbecue.

Do not store or use gasoline or other flammable liquids or vapours within 25 feet (7.6 m) of this appliance.

Minimum clearance from the sides and back of the unit to combustible construction is 3 feet (1 m). Do not use the appliance under an overhead combustible surface.

Do not use the barbecue unless it is completely assembled and all of the parts are securely fastened and tightened.

The barbecue should be thoroughly cleaned and inspected on a regular basis. Clean and inspect the gas hose before each use of the appliance. If there is evidence of abrasion, wear, cuts, or leaks, the hose must be replaced prior to the appliance being operated. Only use parts that are authorised by the manufacturer. The use of unauthorised parts is dangerous. This may also void your warranty.

When cooking, fire extinguishing materials should be located nearby. In the event of an oil/grease fire, do not attempt to extinguish it with water. Use a chemical fire extinguisher or smother it with dirt/sand or fire blanket.

Operate the appliance on solid ground only, do not install or use it in/on boats or recreational vehicles.

Do not leave a lit barbecue unattended. Keep children and animals away from the barbecue at all times.

Do not move the appliance during use.

Always open the barbecue lid carefully and slowly as the heat and steam trapped within the barbecue can severely burn you.

Move gas hoses as far away as possible from hot surfaces and dripping hot grease.

Keep all electrical cords away from a hot barbecue.

Turn off the gas supply at the gas cylinder after use.

Never cover the entire cooking area.

Never obstruct the ventilation openings of the container compartment.

Wear protective gloves when handling the hot components.

#### **Hose and regulator**

These items are not included with the barbecue. Only use hose and regulators approved for LP gas at the above pressures. The estimated life expectancy of the regulator is 10 years. Change the regulator within 10 years of the date of manufacture.

The use of the wrong hose or regulator is unsafe; always check

that you have the correct items before operating the barbecue. The hose used must conform to the relevant standard for the country of use. The length of the hose must be 1.2 metres (maximum) and the inner diameter 10 mm. A worn or damaged hose must be replaced. Ensure that the hose is not bent, clogged, or in contact with any part of the barbecue other than at its connection.

### LP Gas Cylinder

The LP gas cylinder should not be dropped or handled roughly! If the barbecue is not in use, the cylinder must be disconnected from the appliance. Place the protective cap on the cylinder after disconnecting the cylinder from the appliance.

The LP cylinder must be stored outdoors in an upright position and out of the reach of children. The cylinder must never be stored in an environment where temperatures can reach over 50°C. Do not store the cylinder near flames, ignition flames, or other sources of ignition.

### DO NOT SMOKE NEAR THE LP GAS CYLINDER.

This barbecue is designed for use outdoors, away from any flammable materials. It is important that there are no overhead obstructions and that there is a minimum distance of 1 m from the side or rear of the appliance. It is important that the ventilation openings of the barbecue are not obstructed. The barbecue must be used on a level, stable surface. The appliance should be protected from direct airflow and shall be positioned or protected against direct penetration by any trickling water (e.g. rain). No modifications should be made to any part of this barbecue and repairs and maintenance should only be carried out by a registered gas service company.

### Connecting the LP gas cylinder to the barbecue

Before connection, ensure that there is no debris or dirt caught in the head of the LP gas cylinder, regulator, burner, and burner ports. Spiders and insects can nest within and clog the burner and its inlet. A clogged burner can lead to a fire beneath the barbecue. Clean burner holes with a heavy-duty pipe cleaner.

Fit the hose to the appliance using a spanner to tighten it onto the connection thread. If the hose is replaced, it must be secured to the barbecue and regulator connections with hose clips. Disconnect the regulator from the cylinder according to the directions when the barbecue is not in use.

The Barbecue must be operated in a well-ventilated area. Do not obstruct the flow of combustion air to the burner when the barbecue is in use. ONLY USE THIS BARBECUE OUTDOORS.

### BEFORE USE, CHECK FOR LEAKS IN THE HOSE AND/OR CONNECTION THREADS.

Never check for leaks with a naked flame, always use a soapy water solution.

### CHECKING FOR LEAKS

Make 2-3 fluid ounces (6-9 dl) of leak detecting solution by mixing one part dishwashing liquid with 3 parts water.

Ensure that the control valve is "OFF".

Connect the regulator to the LP gas cylinder and ON/OFF valve to the burner. Ensure that the connections are secure and then turn the gas ON.


Brush the soapy solution onto the hose and all joints. If bubbles appear you have a leak, which must be rectified before use. Retest after fixing the fault.

Turn the gas OFF at the LP gas cylinder after testing.

If leakage is detected and cannot be rectified, consult your gas dealer in order to fix the leak.

### LIGHTING YOUR BARBECUE





#### First use

Before cooking for the first time, operate the barbecue for about 15 minutes with the lid closed and the gas turned on to maximum . This will "heat clean" the internal parts.

Clean your barbecue after each use. DO NOT use abrasive or flammable cleaners, as it will damage the parts of the product and may start a fire. Clean the barbecue with warm soapy water.

WARNING: Accessible parts may be very hot. Keep children away from the hot barbecue at all times (even when the appliance is cooling down!). Protective gloves (e.g. oven gloves) should be used when handling particularly hot components.

### Main burner ignition instruction


1. Open the lid of the barbecue before igniting the burners.
2. Turn all of the knobs clockwise to the OFF position (•).
3. Connect the pressure regulator to the liquid gas cylinder. Turn the gas supply of the pressure regulator to the ON position. Use soapy water to check for any gas leaks between the liquid gas cylinder and the pressure regulator.
4. Push and turn the control knob counter-clockwise to the  position then push the ignition button 4-5 times to light the burner. Check if the burner has ignited. If the burner has not ignited, repeat the process.
5. If the burner still won't ignite, turn the knob to the OFF position (•), wait about 5 minutes, and repeat step 4.
6. Move the knob between the  and  positions to adjust the temperature.
7. Ignite the other burners by pushing and holding each corresponding knob and turning the knobs counter-clockwise to the  position. The ignition unit between the burners will ignite the burners. Light the burners in order.
8. If the burner won't ignite, use a match to ignite the barbecue from the ignition hole in the side of the barbecue.
9. Turn the barbecue off by turning the valve of the liquid gas cylinder or the valve of the pressure regulator to the OFF position, and then turn the knobs of the barbecue to the OFF (•) position. Warning! If the burner won't ignite, turn the knob (clockwise) to the OFF position and close the valve of the liquid gas cylinder. Wait 5 minutes before trying to ignite the barbecue again by following the instructions.

### CLEANING AND STORING THE GRILL

You can extend the service life of your grill significantly if you clean and maintain it regularly. If the grill does not heat up sufficiently or food sticks excessively to the grids, the grill has not been cleaned or maintained as instructed. Perform the following maintenance measures after each use.

#### Grilling grids

If food or marinade is stuck on the grill or grid, do the following:

1. Check that the grill is turned off.
2. Remove loose food and grease from the surfaces using paper towels, for example.
3. Ignite the grill as instructed and set the burners to .
4. Close the hood and let the grill heat up for 5-10 minutes.
5. Turn off the grill and open the hood.
6. Let the grill cool down for about 10 minutes.
7. Brush burned food and dirt off with a cleansing brush intended for grills (A).
8. Grease the cleaned grilling grids with cooking oil using e.g., paper towels or a cooking brush.

Do not use a steel brush intended for welding to clean the grill, as it may damage the grill's surfaces. The warranty does not cover damage caused by such a steel brush.

Grease tray and cup

An unclean grease tray is the most common cause of grease fires. If you see pieces of food or marinade on the grease tray or cup, you must clean the tray/cup immediately by following the instruc-

tions below. The grease tray must not have pools of grease on it.

1. Check that the grill is turned off.
2. Take the grease tray/cup out of the grill.
3. Scrape loose food and grease off using the scraper on the grill-cleaning brush or a plastic spatula.
4. Wash the grease tray/cup with mild dishwashing liquid.
5. Dry the grease tray/cup and place it back into the grill.

You can make the cleaning easier by using a foil on top of the grease tray to collect any extra food and grease. When cleaning the tray, you only need to remove the dirty foil.

### **Burners**

The grill's burners are the most vital part for the grill's functionality and heating. This is why you need to check their cleanliness and condition regularly. You must remove and check the burners at least twice a year, particularly when the grill has been in storage for a long time. The small holes on the burners attract insects and spiders to nest in the burners. Such obstructions cause the flame to burn unevenly and impurely. Obstructions may cause the flame to flare up outside the gas pipe, which will damage the grill severely. Clean the burners by following the instructions below:

1. Check that the grill is turned off.
2. Remove the grill grids and heat distributor plates.
3. Remove the burner from the fire box by loosening the mounting screw. The screw is normally located at the back end of the burners.
4. In some grill models, removing the burners requires that you also remove the back plates of the grill.
5. Some models can also be cleaned even when the burners are in place. The most important part is being able to access all of the small gas holes.
6. Use the brass cleaning brush intended for grills to clean the burner surfaces.
7. Ensure that the burner holes are open and clean. You can use a thin wire for this.
8. If the burner is damaged or badly corroded, replace it immediately.
9. At the same time, check that the valve nozzle is clean and intact.
10. Place the cleaned burners back into the grill.

### **Flame tamers**

The flame tamers spread the heat evenly on the grilling surface. The surface of the flame tamers also collects food scraps and marinade. Dirty flame tamers decrease the grill's efficiency. Clean the flame tamers by following the instructions below:

1. Check that the grill is turned off.
2. Remove the flame tamers from the grill.
3. Scrape food off the tamers' surface using the scraper part of the cleaning brush or a plastic spatula.
4. Finally, brush off the dirt using a brass cleaning brush intended for grills.
5. If you wish, you can also wash the flame tamers in a sink using mild dishwashing liquid.
6. Dry the flame tamers and place them back into the grill.

Do not wash the flame tamers in a dishwasher.

### **Other grill components**

In addition to the components mentioned above, the grill also has many other steel parts that need to be cleaned regularly. You can follow the general instructions below for cleaning such components:

1. Clean the steel parts of the grill with Mustang grill cleaning fluid, Mustang stainless steel cleaning liquid or mild dishwashing liquid and a cloth.
2. Do not forget to dry the cleaned parts carefully.

3. Do not use detergents for cleaning the control panels and the surfaces with warning labels, as they may remove the text or other labels.
4. Clean all of the grill's outer surfaces at least three times a year so that stains do not stick to the surfaces.
5. Always test the suitability of a new detergent on an unnoticeable spot.

Chloride and salt may cause the grill to rust. If the grill is being used in the immediate vicinity of seawater or a pool, the grill must be cleaned weekly.

### **Cleaning wooden parts**

If the grill includes wooden parts, they must be cleaned and maintained as follows:

1. Clean all wooden parts regularly by wiping them with a damp cloth and mild soap and water mixture.
2. Dry the cleaned surfaces carefully.
3. Treat the wooden parts with generally available colorless wood oil intended for outdoor furniture at least twice a year. This will prevent the wooden parts from drying and cracking.
4. Before the actual treatment, test the wood oil and any other conditioners in a small, inconspicuous area to ensure their suitability. Always follow the manufacturer's instructions when treating wooden parts.

### **Storage**

Check these instructions if you stop using the grill for a longer time or you wish to put the grill into storage for the winter, for example. Proper storage prolongs the grill's service life and keeps it operational for many years. When storing the grill, follow the instructions below:

1. Clean the grill completely according to the instructions in the manual.
2. Turn the grill on and let it warm up for 15 minutes so that all steel parts dry off.
3. Let the grill cool down.
4. Ensure that all grill grids are greased.
5. If storing the grill outdoors, remove the burners, grids, heating grid and heat distributor plates from the grill. These parts need to be stored in a dry and warm space. It is also recommended that you wrap these parts into newspapers or similar so that the surfaces do not get scratched.
6. Remove the low-pressure regulator from the gas cylinder.
7. Always store the gas cylinder outdoors and ensure that it is not exposed to heat or sunlight.
8. If the grill is stored outdoors, it is recommended that you purchase a high-quality cover for it that covers it all the way down. Ensure that air can circulate even under the cover.

Do not store the grill in a place where snow dropping from the roof can hit it. The warranty does not cover damage caused by snow and ice.

### **Servicing**

Your gas barbecue should be serviced annually. Find the maintenance service's telephone number on the website [mustang-grill.com](http://mustang-grill.com).

### **WARRANTY**

All Mustang products have been carefully manufactured and quality-tested before leaving the factory. This barbecue and its parts have a 24-month warranty from the date of purchase. The warranty covers defects in material and workmanship.

Normal wear and tear, rusting or corrosion of parts is not covered by the warranty. For example, cracking of ceramic surfaces, discol-

oration of steel surfaces and the occurrence of rust spots are normal during use and over time and do not affect the use of the barbecue. Nor does the warranty cover parts that are subjected to wear and tear or corrosion during use, such as cast iron and stainless-steel tube burners, heat distribution plates, cooking grates and griddles, and warming racks. In the case of self-assembled barbecues, the customer must always install and replace the parts according to the instructions. Failure to follow these instructions will invalidate the warranty. Always read through the user instructions carefully and follow them. Damage or defects resulting from improper use or neglect of maintenance are not covered by the warranty.

Nor does the warranty apply if the product is used for commercial manufacturing, sale or rental purposes.

If a product or part of the product becomes defective during the warranty period, please contact the importer or the Mustang Support Service via [www.mustang-grill.com](http://www.mustang-grill.com). Before submitting a warranty claim, please re-read the user instructions thoroughly to ensure that you have followed them. All warranty claims will be processed by the importer. A defective or missing part will be replaced with a new part. The customer is responsible for installing the defective or missing part.

The warranty is only valid upon presentation of a copy of the purchase receipt. The purchase receipt must include the name of the seller, the make and model number of the barbecue and the date of purchase. The warranty claim must include the following information: the make and model number of the barbecue, the reason for complaint, the part number of the defective part according to the parts list, a copy of the purchase receipt or statement of place of purchase, date of purchase, consumer's name, telephone number, street address, postal code and city.



Onnittelut Mustang-tuotteen valinnasta! Mustangin grillaustuoteperhe on suunniteltu hyvän ruoan valmistamiseen. Tuoteperheeseen kuuluu kattava valikoima grillaus- ja ruoanlaittatuotteita. Tutustu koko valikoimaan verkossa [www.mustang-grill.com](http://www.mustang-grill.com) tai lähimmällä valtuutetulla Mustang-jälleenmyyjällä.

Kehitämme Mustang-tuoteperhettä ja siihen kuuluvia tuotteita jatkuvasti. Laadun takaamiseksi käyttäjiltä saatu palaute on tuotekehityksessämme erityisen tärkeässä roolissa. Otamme mielellämme vastaan tuotteisiin liittyvää palautetta osoitteeseen [mustang@mustang-grill.com](mailto:mustang@mustang-grill.com).

Tämä tuote on suunniteltu huolettomaan ja ongelmattomaan käyttöön vuosiksi eteenpäin. Tutustu huolella käyttöohjeeseen, jotta saisit laitteesta parhaan hyödyn. Huolehtimalla grillin säännöllisestä puhdistuksesta ja huollosta pidennät sen käyttöikä ja turvallisuutta. Mustang-tuotesarjasta löydät myös asianmukaiset puhdistusaineet ja harjat grillin puhdistukseen.

Lisätietoja löydät osoitteesta: [www.mustang-grill.com](http://www.mustang-grill.com). Mustang-huoltopalvelun yhteystiedot löydät osoitteesta [www.mustang-grill.com](http://www.mustang-grill.com).

#### VAARA:

Jos haistat kaasua:

1. Katkaise kaasunsyöttö laitteeseen.
2. Tukahduta mahdollinen avotuli. Älä käytä mitään sähkölaitteita.
3. Avaa kansi ja tuuleta alue.
4. Tarkista kaasuliitännät saippuuliuksella.
5. Jos haju ei häviä, ota heti yhteyttä kaasuntoimittajaan tai palokuntaan.

#### TÄRKEÄÄ:

Ohjeen noudattamatta jättäminen voi johtaa vaaralliseen tulipaloon tai räjähdykseen.

Käyttäjän vastuulla on varmistaa, että grilli kootaan ja asennetaan oikein ja että sitä huolletaan asianmukaisesti. Tämän käyttöohjeen noudattamatta jättämisestä saattaa seurata vakavia henkilö- ja/tai esinevahinkoja.

Laitteeseen tehdyt muutokset sekä sen virheellinen käyttö ja ohjeiden noudattamatta jättäminen voivat johtaa vaaratilanteisiin.

#### VAROITUS:

Osat voivat olla erittäin kuumia. Pidä pienet lapset etäällä laitteesta.

Laite on pidettävä käytön aikana etäällä herkästi syttyvistä materiaaleista.

Säilytä tämä käyttöohje myöhempä tarvetta varten.

#### TEKNISET TIEDOT:

LAITTEEN KOODI:	G2082 (640286)
KOKONAISLÄMPÖTEHO (KAIKKI KAASULUOKAT):	5,5 kW (400 g/h)
KAASULUOKKA:	I3B/P(30)
KAASULAJIT:	Nestekaasuseokset
KAASUNPAIN:	30 mbar
SUUTTIMEN KOKO :	Pääpolttimet: 0,84 mm

GRILLI ON TARKOITETTU ULKOKÄYTTÖÖN HYVIN ILMASTOIDUIS-  
SA TILOISSA.

VAROITUS: GRILLIN KÄSITELTÄVÄT OSAT VOIVAT OLLA HYVIN KUUMIA. PIDÄ LAPSET POISSA GRILLIN LÄHELTÄ.  
LUE KÄYTTÖOHJEET ENNEN GRILLIN KÄYTTÖÄ.

#### TÄRKEÄÄ:

Lue seuraavat ohjeet huolellisesti ja varmista, että grilli kootaan ja asennetaan asianmukaisesti ja että sitä huolletaan oikealla tavalla. Jos ohjeita ei noudateta, seurauksena voi olla vakava loukkaantuminen ja omaisuusvahinkoja.

Jos sinulla on grillin kokoamiseen tai käyttöön liittyviä kysymyksiä, ota yhteyttä jälleenmyyjäsi.

Varmista, että grilli ja nestekaasupullo ovat vaakasuoralla alustalla käytön aikana.

Grillii ei saa koskaan sytyttää kannen ollessa kiinni.

Älä koskaan yritä sytyttää tai käyttää sivupoltinta kannen ollessa kiinni, sillä tämä voi aiheuttaa vaaratilanteen ja vahingoittaa grilliä. Käytä grillissä vain käyttömaassa hyväksytyjä matalapainesäädintä ja kaasuletkua!

Jos nämä osat on vaihdettava, ota yhteyttä asiakaspalveluun tai jälleenmyyjäsi.

Hyväksymättömien osien käyttäminen grillissä voi aiheuttaa vaaratilanteen ja vaarallisen käyttöympäristön.

HUOMAUTUS KULUTTAJALLE: Säilytä ohjeet tulevaa käyttöä varten.

#### TURVAOHJEET

Tee kaikille liitoskohdille ohjeiden mukainen vuototesti aina säiliön täyttämisen tai pitkän käyttötauon jälkeen.

Älä koskaan käytä nestekaasusäiliötä, jos sen seinämät, venttiili, kaulus tai alusta ovat vahingoittuneet.

Älä säilytä nestekaasusäiliötä grillin alla grilliä käytettäessä.

Alkoholin sekä resepti- ja käsikauppalääkkeiden käyttö voi heikentää käyttäjän kykyä koota laite oikein tai käyttää sitä turvallisesti. Älä koskaan käytä grillissä hiiltä, sytytysnesteitä, laavakiveä, bensiiniä, kerosiinia tai alkoholia.

Käytä ja säilytä bensiiniä tai muita herkästi syttyviä nesteitä tai höyryjä vähintään 7,6 metrin etäisyydellä laitteesta.

Tulenarkojen pintojen ja laitteen sivu- ja takaosien väliin on jätettävä tilaa vähintään yksi metri. Älä käytä laitetta tulenarkojen pintojen alla.

Älä käytä grilliä, jos sitä ei ole koottu kokonaan tai jos kaikkia osia ei ole kiinnitetty ja kiristetty tiukasti paikoilleen.

Puhdista ja tarkista grilli säännöllisesti ja kaasuletku ennen jokaista käyttökertaa. Jos letkussa on hankaumia, kulumia, viiltoja tai vuotoja, se on vaihdettava ennen laitteen käyttöä.

Käytä vain valmistajan hyväksymiä osia. Muiden kuin valmistajan hyväksymien osien käyttäminen on vaarallista. Se voi myös mitätöidä takuun.

Säilytä palonsammutusvälineitä lähetyvillä grillauksen aikana.

Jos öljy tai rasva syttyy tuleen, älä yritä sammuttaa paloa vedellä. Käytä kemiallista jauhesammutinta tai tukahduta palo hiekalla tai sammutuspeitteellä.

Käytä laitetta vain tukevalla alustalla. Älä käytä sitä veneessä tai kulkuneuvossa.

Älä jätä sytytettyä grilliä ilman valvontaa ja pidä erityisesti lapset sekä eläimet aina etäällä grillistä.

Älä liikuta laitetta sen ollessa käytössä.

Avaa grillin kansi aina varovasti ja hitaasti, sillä grilliin muodostunut kuumuus ja höyry saattavat aiheuttaa vakavan palovamman. Siirrä kaasuletkut mahdollisimman etäälle kuumista pinnoista ja tippuvasta kuumasta rasvasta.

Pidä kaikki sähköjohdot etäällä kuumasta grillistä.

Sulje kaasupullon kaasunsyöttö käytön jälkeen.

Älä koskaan peitä paistoaluetta kokonaan.

Älä koskaan peitä säiliöosaston ilmanvaihtoaukkoja.

Käytä aina suojakäsineitä käsitellessäsi kuumia osia.

#### Letku ja paineensäädin

Eivät sisälly toimitukseen. Käytä grillissä vain nestekaasukäyttöön tarkoitettuja letkuja ja paineensäätimiä, jotka vastaavat edellä mainittua painearvoa. Paineensäätimen käyttöikä on arviolta 10 vuotta. Paineensäädin suositellaan vaihtamaan 10 vuoden sisällä valmistuspäivämäärästä.

Vääräntyyppisen letkun tai paineensäätimen käyttö on vaarallista. Varmista aina ennen käyttöä, että grillissä on oikeantyyppinen let-

ku ja paineensäädin.

Letkun on oltava paikallisten määräysten mukainen, ja sen pituus saa olla enintään 1,2 metriä ja sisähalkaisija 10 mm. Kulunut tai vaurioitunut letku on vaihdettava uuteen. Varmista, ettei letku ole mutkalla tai tukossa ja että se on kosketuksissa ainoastaan letkun liittimeen eikä muihin pintoihin.

### Nestekaasusäiliö

Nestekaasusäiliötä ei saa pudottaa eikä käsitellä kovakouraisesti! Jos grilliä ei käytetä, nestekaasusäiliö on irrotettava grillistä. Aseta nestekaasusäiliön suojus paikalleen irrottamisen jälkeen. Nestekaasupullo on säilytettävä pystyasennossa ulkotiloissa ja poissa lasten ulottuvilta. Nestekaasupulloa ei saa koskaan varastoida paikkaan, jossa lämpötila voi ylittää +50 °C. Älä varastoi nestekaasupulloa tilaan, jossa on avotulta, sytytysliekkejä tai muita syttymislähteitä.

### ÄLÄ TUPAKOI NESTEKAASUPULLON LÄHEISYYDESSÄ.

Tämä grilli on tarkoitettu ulkokäyttöön. Grillin lähellä ei saa olla helposti syttyviä materiaaleja. On tärkeää, että grillin yläpuolella ei ole ilmankulkua tukkivia esineitä. Grillin takana ja sivuilla on oltava myös vähintään yksi metri tyhjää tilaa. Grillin tuuletusaukot eivät saa tukkeutua. Grilliä saa käyttää vain tukevalla ja vaakasuoralla alustalla. Grilli täytyy suojata suoralta ilmavirrasta ja sijoittaa tai suojata niin, ettei sen päälle pääse satamaan tai valumaan vettä millään tavalla.

Grillin osiin ei saa tehdä minkäänlaisia muutoksia, ja grillin saa huoltaa tai korjata vain hyväksytty kaasuasennusliike.

### Nestekaasupullon kytkeminen grilliin

Varmista ennen kytkemistä, ettei nestekaasupullon suun päällä, paineensäätimessä, polttimessa tai polttimen suuttimissa ole likaa tai roskaa. Hämähäkit ja hyönteiset voivat kerääntyä sisälle ja tukkia polttimen ja sen sisuksen. Tukkeutunut poltin voi sytyttää tulipalon grillin alapuolelle.

Puhdista polttimen reiät tehokkaalla putkenpuhdistusaineella. Aseta letku grillin yhdyskappaleeseen ja kiristä se kiintoavaimella. Jos letku vaihdetaan, se on kiinnitettävä grilliin ja paineensäätimeen letkunjärjestelmällä. Jos grilliä ei käytetä, paineensäädin on irrotettava nestekaasupullostas ohjeiden mukaisesti.

Grilliä saa käyttää vain hyvin ilmastoidulla paikalla. Älä estä tai rajoita palamisilman kulkua polttimeen grillin käytön aikana. GRILLIÄ SAA KÄYTTÄÄ VAIN ULKOTILOISSA.

### TARKISTA ENNEN KÄYTTÖÄ, ETTEI LETKUSSA TAI LIITOSKOHDISSA OLE VUOTOJA.

Älä koskaan etsi vuotoja avoliekillä tai tulen avulla. Käytä vuotojen paikantamiseen saippuavettä.

### VUOTOJEN TARKASTAMINEN

Tee 6–9 desilitraa saippuavettä vuotojen tarkastamiseen sekoittamalla yksi osa astianpesuainetta kolmeen osaan vettä.

Varmista, että säätöventtiili on OFF-asennossa.


Yhdistä paineensäädin nestekaasupulloon ja ON/OFF-venttiili polttimeen. Varmista, että liitännät on kiinnitetty kunnolla, ja käännä sen jälkeen kaasu päälle (ON).

Hiero saippuavettä harjalla letkuun ja liitoskohtiin. Jos havaitset kuplia, kyseessä on vuoto, joka on korjattava ennen grillin käyttöä. Tarkista liitännät ja letku uudelleen vuodon korjaamisen jälkeen. Käännä kaasu pois päältä (OFF) nestekaasupullostas tarkastamisen päätyttyä.

Jos havaitset vuodon, jota et saa korjattua, ota yhteys kaasuntoimittajaasi korjaustoimia varten.

### GRILLIN SYTYTTÄMINEN





#### Ensimmäinen käyttö

Grilliä on pidettävä päällä noin 15 minuuttia kansi kiinni ja kaasunsyöttö -asennossa ennen ensimmäistä grillauskertaa. Tämä kuumapuhdistaa grillin sisäiset osat.

Grilli on puhdistettava jokaisen käyttökerran jälkeen. ÄLÄ KÄYTÄ hankaavia tai tulenarkoja puhdistusaineita, sillä ne vahingoittavat grillin osia ja voivat sytyttää tulipalon. Puhdista grilli saippuavedellä.

VAROITUS: Grillin käsiteltävät osat voivat olla hyvin kuumia. Pidä lapset poissa kuuman grillin läheltä myös sen jäähtyessä! Hyvin kuumia osia käsiteltäessä on suositeltavaa käyttää suojakäsineitä (esim. uunikintaita).

#### Pääpolttimien sytytysohjeet

1. Avaa grillin kansi ennen polttimien sytyttämistä.
2. Käännä kaikki säätönupit myötöpäivään OFF-asentoon ("•").
3. Yhdistä paineensäädin nestekaasupulloon. Avaa kaasunsyöttö (ON) paineensäätimestä. Tarkasta saippuavedellä, onko nestekaasupullon ja paineensäätimen välillä kaasuvuotoja.
4. Paina ja käännä säädintä vastapäivään asentoon  ja paina sitten sytytyspainiketta 4-5 kertaa polttimen sytyttämiseksi. Tarkasta, onko poltin syttynyt. Jos poltin ei ole syttynyt, toista prosessi.
5. Jos poltin ei edelleenkään syty, käännä säätönuppi OFF-asentoon ("•"). Odota noin 5 minuuttia ja toista sitten vaihe 4.
6. Säädä lämpöä kääntämällä säätönuppia  - ja -asentojen välillä.
7. Sytytä toiset polttimet painamalla niitä vastaava säätönuppi pohjaan ja kiertämällä sitä vastapäivään täyteen tehoon (). Polttimen välinen sytytyskanava sytyttää polttimet. Sytytä polttimet järjestyksessä.
8. Jos poltin ei syty, sytytä grilli tulitikulla grillin kyljessä olevasta sytytysaukosta.
9. Sammuuta grilli kääntämällä nestekaasupullon venttiili tai paineensäätimen venttiili OFF-asentoon ja käännä sen jälkeen grillin säätönupit OFF-asentoon ("•").


Varoitus: Jos poltin ei syty, käännä säätönuppi kiinni (myötöpäivään) ja sulje myös nestekaasupullon venttiili. Odota 5 minuuttia ennen kuin yrität sytyttää grillin uudelleen ohjeiden mukaisesti järjestyksessä.

### GRILLIN PUHDISTUS JA VARASTOINTI

Grillin käyttöikä pitenee huomattavasti, kun huolehdit grillin puhdistuksesta ja huolloista säännöllisesti. Jos grilli ei kuumene tarpeeksi tai ruoka jää helposti kiinni pariloihin, niin grilliä ei ole puhdistettu tai huollettu ohjeiden mukaisesti. Tee seuraavat puhdistustoimenpiteet jokaisen käyttökerran jälkeen.

#### Grillausritilät ja -parilat

Jos grillausritilöihin / -pariloihin on jäänyt ruokaa tai marinadeja kiinni niin toimi seuraavalla tavalla:

1. Varmista että grilli on sammutettu.
2. Poista irtoruoka ja rasva pois pinnoilta esim. talouspaperilla.
3. Sytytä grilli ohjeiden mukaan ja säädä polttimet -teholle.
4. Sulje kansi ja anna grillin kuumentua 5–10 minuuttia.
5. Sammuta grilli ja avaa kansi.
6. Anna grillin jäähtyä noin 10 minuuttia.
7. Harjaa palanut ruoka ja lika pois grilleihin tarkoitettulla puhdistusharjalla (A).
8. Öljyä puhdistetut grillausritilät ja -parilat ruokaöljyllä esim. talouspaperilla tai grillisudilla.

Älä käytä puhdistukseen hitsauskäyttöön tarkoitettua teräsharjaa, se voi rikkoa grillin pinnat. Tällaisen teräsharjan aiheuttamat vahingot eivät kuulu takuun piiriin.

## Rasvapelti ja -kuppi

Yleisimmin rasvapalojen syy on likainen rasvapelti. Mikäli rasvapellillä tai -kupissa näkyy ruuan paloja tai marinadeja, rasvapelti on heti puhdistettava seuraavalla tavalla. Rasvapellille ei saa jäädä rasvalammikoita.

1. Varmista että grilli on sammutettu.
2. Poista rasvapelti / -kuppi grillistä.
3. Kaavi irtoruoka ja rasva pois hyödyntämällä grillin puhdistusharjan kaavinosaa tai muovilastaa.
4. Pese rasvapelti / -kuppi miedolla astianpesuaineella.
5. Kuivaa ja aseta puhdistettu rasvapelti / -kuppi takaisin grilliin.

Voit helpottaa puhdistusta käyttämällä rasvapellin päällä foliota, joka kerää ylimääräisen ruuan ja rasvan. Puhdistuksessa poistat vain likaisen folion.

## Polttimet

Grillin polttimet ovat grillin toiminnan ja kuumenemisen kannalta tärkeimmät, joten niiden puhtaus ja kunto on tarkistettava säännöllisesti. Polttimet ovat irrotettava ja tarkistettava vähintään kaksi kertaa vuodessa, varsinkin keväällä talvisäilytyksen jälkeen, tai muun pitkän säilytyksen jälkeen. Polttimien pienet reiät houkuttelevat hyönteisiä ja hämähäkkejä tekemään pesiä polttimiin. Nämä tukokset aiheuttavat epätasaisen ja epäpuhtaan liekin. Tukokset voivat aiheuttaa liekin palamisen kaasuputken ulkopuolella, joka taas vahingoittaa vakavasti grilliä. Polttimien puhdistus tapahtuu seuraavasti:

1. Varmista että grilli on sammutettu.
2. Poista grillausritilät / -parilat ja lämmönjakolevyt.
3. Irrota poltin pois tulilaatikosta avaamalla kiinnitysruuvi. Kiinnitysruuvi sijaitsee normaalisti polttimien peräpäädyssä.
4. Muutamissa grillimalleissa polttimien irrottaminen vaatii grillin takalevyt poistamista.
5. Osasta grillimalleja, puhdistus onnistuu helposti myös polttimien ollessa paikoillaan. Tärkeintä on päästä käsiksi kaikkiin pieniin kaasureikiin.
6. Käytä polttimien pintojen puhdistukseen grillien messinkistä puhdistusharjaa.
7. Varmista että polttimien reiät ovat avoinna ja puhtaat. Apuna voit käyttää esim. ohutta rautalankaa.
8. Jos poltin on vahingoittunut ja tai pahasti ruostunut, vaihda se uuteen välittömästi.
9. Tarkista samalla, että venttiilin suutin on puhdas ja ehjä.
10. Asenna puhdistetut polttimet takaisin.

## Lämmönjakolevyt

Lämmönjakolevyt levittävät lämmön tasaisesti grillausalalle. Lämmönjakolevyjen pintaan keräytyy myös ruuan jämiä ja marinadeja. Likaiset lämmönjakolevyt heikentävät grillin tehoa. Puhdista lämmönjakolevyt seuraavalla tavalla:

1. Varmista että grilli on sammutettu.
2. Poista lämmönjakolevyt grillistä.
3. Kaavi lämmönjakolevyjen pinnasta ylimääräinen ruoka pois puhdistusharjan kaavinosalla tai muovilastalla.
4. Harjaa lopuksi loput liat pois grillaukseen tarkoitettulla messinkisellä puhdistusharjalla.
5. Voit myös halutessasi pestä lämmönjakolevyt tiskialtaassa miedolla astianpesuaineella.
6. Kuivaa ja aseta puhdistetut lämmönjakolevyt takaisin grilliin.

Älä pese lämmönjakolevyjä astianpesukoneessa.

## Muut grillin osat

Grillissä on edellä mainittujen osien lisäksi paljon muita teräsosia, jotka täytyy myös puhdistaa säännöllisesti. Näihin osiin voi hyödyntää seuraavia yleisohjeita:

1. Puhdista grillin teräsosat Mustang grillin puhdistusnesteellä, Mustang rosterin puhdistusnesteellä tai miedolla astianpesuaineella ja puhdistusliinalla.
  2. Muista kuivata puhdistetut osat huolellisesti.
  3. Ohjauspaneelit ja varoitustekstipintojen puhdistukseen ei saa käyttää pesuaineita, koska ne voi irrottaa tekstit tai muut turvamerkinnot.
  4. Puhdista kaikki grillin ulkopinnat vähintään kolme kertaa vuodessa, jotta lika ei pääse pinttymään pintoihin.
  5. Testaa aina uuden puhdistusaineen soveltuvuutta huomaamattomaan kohtaan.
- Kloori ja suola saattavat aiheuttaa grillin ruostumista. Joten jos grillin käyttöpaikka on meren tai uima-altaan välittömässä läheisyydessä, on grillin puhdistus tehtävä viikoittain.

## Puuosien puhdistus

Jos grillissä on puuosia, ne tulee puhdistaa ja huoltaa seuraavalla tavalla:

1. Puhdista kaikki puuosat säännöllisesti pyyhkimällä ne kostealla liinalla sekä miedolla saippuavesiseoksella.
2. Kuivaa puhdistetut pinnat huolellisesti.
3. Käsittele puuosat yleisesti kaupoissa myytävällä, ulkokalusteille tarkoitettulla, värittömällä puuöljyllä vähintään kaksi kertaa vuodessa. Käsittelemällä ehkäistään puuosien kuivuminen ja halkeilu.
4. Ennen varsinaista käyttöä kokeile puuöljyä ja muita hoitoaineita ensin pienelle alueelle huomaamattomaan paikkaan varmistaaksesi niiden soveltuvuus. Noudata aina aineiden valmistajan ohjeita puuosien käsittelyssä.

## Varastointi

Katso nämä ohjeet, kun pidät pidemmän tauon grillauksessa tai haluat varastoida grillin esim. talvikaudeksi. Oikein varastoitu grilli pidentää käyttöikä ja pitää grillin toimintakunnossa vuodesta toiseen. Varastoidessa grillisi, toimi seuraavien ohjeiden mukaan:

1. Puhdista grilli täydellisesti käyttöoppaan ohjeiden mukaan.
2. Sytytä grilli ja anna lämmitä noin 15 minuuttia, jolloin kaikki teräsosat ovat kuivuneet.
3. Anna grillin jäähtyä.
4. Varmista, että kaikki grillausritilät / -parilat ovat öljytyt.
5. Jos grilli varastoidaan ulkona, irrota grillistä polttimet, ritilät, parilat, lämmitysritilä ja lämmönjakolevyt. Nämä osat täytyy varastoida kuivassa ja lämpimässä tilassa. Nämä osat on syytä kääriä yksittäin esim. sanomalehteen, jotta osat eivät naarmuta pintoja.
6. Irrota matalapainesäädin kaasupullosta.
7. Säilytä kaasupulloa aina ulkona ja varmista, että kaasupullo ei pääse altistumaan kuumuudelle tai auringonpaisteelle.
8. Ulkona säilyttäessä grillin päälle kannattaa hankkia laadukas suojapeite, joka peittää grillin alas saakka. Muista varmistaa, että ilma pääsee kiertämään myös peitteen alla.

Älä säilytä grilliä niin että katolta tippuva lumi pääsee tipahtamaan grillin päälle. Lumen ja jään aiheuttamat vahingot eivät kuulu takuun piiriin.

## GRILLIN HUOLTO

Kaasugrilli tulee huoltaa vuosittain. Tarkista huoltopalvelun puhelinnumero verkkosivuilta [mustang-grill.com](http://mustang-grill.com).

## TAKUU

Kaikki Mustangin tuotteet on valmistettu huolellisesti ja niiden laatu testattu ennen tuotteiden lähtöä tehtaalta. Tällä grillillä ja sen osilla on 24 kuukauden takuu, joka on voimassa ostopäivästä alkaen. Takuu koskee valmistus- ja materiaalivirheitä.

Osien normaali kuluminen, ruostuminen tai ruostumisesta johtuvat viat eivät kuulu takuuseen. Esim. keraamisten pintojen halkeilu, teräspintojen värimuutokset ja ruostepilkujen ilmaantuminen



ovat ajan myötä ja käytössä normaalia eivätkä estä grillin käyttöä. Takuun piiriin eivät myöskään kuulu käytössä kuluvat tai ruostuvat osat, kuten valurauta- ja ruostumattomasta teräksestä valmistetut putkipolttimet, lämmönjakopellit, grillausrilät ja -parilat ja lämmitysrilät. Itse koottavissa grilleissa asiakas asentaa ja vaihtaa osat aina itse ohjeiden mukaan. Mikäli ohjetta ei noudateta, takuu raukeaa. Lue aina käyttöohje huolella läpi ja noudata sitä. Takuu ei kata käyttöohjeiden vastaisesta käytöstä tai huollon laiminlyönnistä johtuvia jälkiä tai vikoja.

Takuu ei ole voimassa myöskään, mikäli tuotetta käytetään kaupallisessa valmistus-, myynti- tai vuokraustarkoituksessa. Takuu ei heikennä Suomessa voimassa olevaa kuluttajansuojalakia. Jos tuotteessa tai sen osassa ilmenee vika takuuajana, ole yhteydessä maahantuojaan tai [www.mustang-grill.com](http://www.mustang-grill.com):in kautta Mustang Tukipalveluun. Ennen takuuvaatimusten esittämistä lue vielä käyttöohje huolella läpi ja tarkista, että olet noudattanut sitä. Maahantuojaa hoitaa kaikki takuukäsittelyt. Viallisen tai puuttuvan osan tilalle lähetetään uusi osa. Asiakas vastaa itse viallisen tai puuttuvan osan asentamisesta.

Takuu on voimassa vain esitettäessä kopio ostokuitista. Ostokuitista pitää ilmetä myyjäliikkeen nimi, grillin merkki ja mallinumero sekä ostopäivä. Takuuvaatimuksessa pitää olla seuraavat tiedot: grillin merkki ja mallinumero, reklamaation syy, viallisen osan osanumero osaluettelon mukaisesti, kopio ostokuitista tai selvitys ostopaikasta sekä ostopäivä, kuluttajan nimi, puhelinnumero, katunumero, postinumero ja -toimipaikka.

Gratulerar till ditt val av en Mustang-produkt! Mustangs serie med grillprodukter är designad för tillredning av god mat. I produktserien ingår ett omfattande sortiment av grill- och matlagingsprodukter. Bekanta dig med hela sortimentet på webben [www.mustang-grill.com](http://www.mustang-grill.com) eller hos närmaste auktoriserade Mustang-återförsäljare.

Vi utvecklar ständigt Mustang-produktserien och de produkter som tillhör den. För att garantera kvaliteten har feedbacken från användarna en särskilt viktig roll i vår produktutveckling. Vi tar gärna emot feedback om produkterna på adressen [mustang@mustang-grill.com](mailto:mustang@mustang-grill.com).

Den här produkten är designad för en bekymmerfri och problemfri användning under flera år framåt. Läs noga igenom bruksanvisningen för att få ut mest nytta av apparaten. När du ser till att regelbundet rengöra och underhålla grillen förlänger du dess livslängd och säkerhet. I Mustang-produktserien hittar du även lämpliga rengöringsmedel och borstar för rengöring av grillen.

Ytterligare information finns på adressen [www.mustang-grill.com](http://www.mustang-grill.com).

Kontaktuppgifter till Mustang-underhållsservice hittar du på adressen [www.mustang-grill.com](http://www.mustang-grill.com).

#### **FARA:**

Om du känner lukten av gas:

1. Stäng av gastillförseln till grillen.
2. Släck eventuell öppen eld och använd inga elektriska apparater.
3. Öppna locket och ventilerat område.
4. Kontrollera gaskopplingarna med tvållösning.
5. Om det fortfarande luktar gas ska du omedelbart kontakta gasleverantören eller brandkåren.

#### **VIKTIGT:**

Om anvisningarna inte följs kan en farlig brand eller explosion uppstå.

Användaren ansvarar för att grillen monteras, installeras och underhålls på rätt sätt. Om anvisningarna i den här användarhandboken inte följs kan det resultera i allvarliga personskador och/eller skador på föremål.

Det kan vara farligt att modifiera grillen, att använda den på fel sätt och att inte följa anvisningarna.

#### **VARNING!**

Delarna kan bli mycket varma. Håll små barn på avstånd. Grillen får inte vara i närheten av lättantändliga material när den används.

Spara denna bruksanvisning för framtida referens.

#### **Teknisk information:**

PRODUKTKOD:	G2082 (640286)
TOTAL EFFEKT (ALLA GASKATEGORIER):	5,5 kW (400 g/h)
GASKATEGORI:	I3B/P(30)
TYP AV GAS:	Gasolblandningar
GASTRYCK:	30 mbar
INJEKTORSTORLEK:	Huvudbrännare: 0,84 mm

GRILLEN ÄR AVSEDD FÖR UTOMHUSBROK I VÄL VENTILERADE UTRYMMEN.

VARNING: GRILLENS ÅTKOMLIGA DELAR KAN BLI MYCKET VARMA. HÅLL BARN BORTA FRÅN GRILLEN. LÄS BRUKSANVISNINGEN INNAN DU ANVÄNDER GRILLEN.

#### **VIKTIGT:**

Läs följande anvisningar noggrant och se till att grillen monteras, installeras och underhålls korrekt. Underlåtenhet att följa dessa in-

struktioner kan resultera i allvarig kroppsskada och skada på föremål.

Om du har frågor om montering eller drift av grillen, kontakta din återförsäljare.

Se till att grillen och gasolbehållaren placeras på en plan yta vid användning.

Tänd aldrig grillen när locket är på.

Försök aldrig tända eller använda sidobrännaren när locket ligger på, eftersom detta kan leda till fara och skada grillen.

Använd endast lågtrycksregulator och gas slang som är godkända i användningslandet!

Om det är nödvändigt att byta ut dessa delar, kontakta vår kundtjänst eller din återförsäljare.

Användning av icke-godkända delar i grillen kan leda till farliga situationer och en farlig användningsmiljö.

INFORMATION TILL KONSUMENTEN: Spara anvisningarna för framtida referens.

#### **Säkerhetsanvisningar**

Läckagetesta alla kopplingar enligt anvisningarna efter varje påfyllning av behållaren eller när grillen ska användas för första gången efter ett långt uppehåll.

Använd aldrig gasolbehållaren om den har skador på hölje, ventil, krage eller underredet.

Förvara aldrig gasolbehållaren under grillen när du använder grillen.

Användarens förmåga att montera grillen korrekt och använda den på ett säkert sätt kan försämrats vid användning av alkohol samt receptfri och receptbelagd medicin.

Använd aldrig grillkol, tändvätska, lavastenar, bensin, fotogen eller alkohol i grillen.

Använd och förvara bensin eller andra lättantändliga vätskor eller ångor på ett avstånd av minst 7,6 meter från grillen.

Avståndet från enhetens sidor och baksida till lättantändliga ytor bör vara minst en meter. Grillen får inte användas under lättantändliga ytor.

Använd inte grillen om den inte är fullständigt monterad eller om alla komponenter inte är ordentligt fastsatta och åtdragna.

Grillen ska rengöras och inspekteras regelbundet. Gasslangen ska rengöras och inspekteras före varje användning. Om det finns tecken på skav, slitage, skador eller läckage på slangen måste den bytas ut innan grillen används.

Använd endast av tillverkaren godkända delar. Det är farligt att använda delar som inte är godkända av tillverkaren. Detta kan även göra garantin ogiltig.

Ha alltid brandsläckningsredskap nära till hands när grillen används. Brinnande olja eller fett får aldrig släckas med vatten. Använd en kemisk pulverläckare eller kväv elden med sand eller brandfilt.

Grillen får endast användas på en stadig yta. Den får inte användas på båtar eller i fordon.

Håll alltid en tänd grill under uppsikt och håll särskilt barn och djur på avstånd från grillen.

Flytta inte grillen under användning.

Öppna alltid grilllocket långsamt och försiktigt eftersom värme och ånga som bildas inne i grillen kan orsaka allvarliga brännskador. Se till att gasslangarna är på största möjliga avstånd från heta ytor och droppande varmt fett.

Håll alla elsladdar på avstånd från den varma grillen.

Stäng av gasolflaskans gastillförsel efter användning.

Täck aldrig över hela tillagningsytan.

Blockera aldrig ventilationsöppningarna på behållarenheten.

Använd alltid skyddshandskar när du hanterar varma delar.

#### **Slang och tryckregulator**

Medföljer inte. Använd endast slangar och tryckregulatorer som är godkända för gasol och motsvarar ovanstående tryckvärde.

Den förväntade livslängden för tryckregulatorn är ca 10 år. Det rekommenderas att tryckregulatorn byts ut inom 10 år efter tillverkningsdatum.

Användning av fel slags slang eller tryckregulator är farligt. Kontrollera alltid att du har rätt typ av slang och tryckregulator innan du använder grillen.

Slangen måste uppfylla lokala standarder. Längden på slangen får vara högst 1,2 meter och inre diametern 10 mm. En sliten eller skadad slang måste bytas ut. Se till att slangen inte är blockerad, böjd eller i kontakt med någon del av grillen förutom vid dess anslutning.

### Gasolbehållare

Gasolbehållaren får inte tappas eller hanteras hårdhänt! Om grillen inte används måste gasolbehållaren kopplas bort från grillen. Sätt tillbaka skyddet på gasolbehållaren efter fränkoppling från grillen.

Gasolflaskan måste förvaras utomhus i ett upprätt läge och oåtkomligt för barn. Gasolflaskan får aldrig förvaras i ett utrymme där temperaturen kan stiga över 50°C. Förvara inte gasolflaskan nära öppen eld, pilotlågor eller andra tändningskällor.

### RÖK INTE I NÄRHETEN AV GASOLFLASKAN.

Denna grill är avsedd att användas utomhus långt från alla lättantändliga material. Det är viktigt att det inte finns några förmål ovanför grillen som kan blockera luftströmmen. Det bör finnas ett avstånd på minst en meter från sidorna och baksidan av grillen. Se också till att ventilationsöppningarna på grillen inte är blockerade. Grillen får endast användas på ett plant och stabilt underlag. Grillen ska skyddas från direkt vind och placeras så att det inte kan regna eller rinna vatten på den på något sätt.

Inga ändringar får utföras på någon del av grillen och reparationer och underhåll får endast utföras av ett godkänt gasinstallationsföretag.

### Anslutning av gasolbehållaren till grillen

Innan anslutning av gasolbehållaren se till att det inte finns smuts eller skräp i behållarens öppning, i tryckregulatorn, i brännaren eller brännaröppningarna. Spindlar och insekter kan bygga bo i och tappa till brännaren och dess insida. En tilltäppt brännare kan leda till en brand under grillen. Rengör brännarens hål med en kraftig piprensare.

Montera slangen till grillanslutningen med hjälp av en skiftnyckel och att dra åt ordentligt. Om slangen byts ut måste den fästas till grillen och tryckregulatorn med slangklämmor. Om grillen inte används, koppla bort tryckregulatorn från gasolbehållaren enligt instruktionerna.

Grillen får endast användas i väl ventilerade områden. Blockera eller hindra inte flödet av förbränningsluft till brännaren när grillen används. GRILLEN FÅR ENDAST ANVÄNDAS UTMOMHUS.

### KONTROLLERA INNAN ANVÄNDNING ATT DET INTE FINNS LÄCKOR PÅ SLANGEN ELLER KOPPLINGAR.

Kontrollera aldrig läckor med en öppen låga eller med hjälp av eld. Använd tvålatten för att hitta läckor.

### KONTROLLERA LÄCKOR

Gör 6-9 deciliter tvålatten för att kontrollera läckor genom att blanda en del diskmedel med tre delar vatten.

Se till att reglerventilen är ställd i OFF-läget.

Anslut tryckregulatorn till gasolbehållaren och ON/OFF-ventilen till brännaren. Se till att anslutningarna är ordentligt fastsatta och vrid sedan på gasen (ON).

Stryk ut tvålatten på slangen och kopplingarna med en borste. Om bubblor uppstår har du en läcka som måste åtgärdas före användning av grillen.


Testa slangen och kopplingarna igen efter att du har åtgärdat läckan.

Stäng av gasen (OFF) på gasolbehållaren efter kontrollen.

Om en läcka upptäcks som du inte kan åtgärda själv, kontakta din gasolleverantör för reparation.

### TÄNDA GRILLEN

#### Första användningstillfället

Innan du använder grillen för första gången, låt grillen stå på i cirka 15 minuter med locket stängt och gastillförseln i -läge. Detta kommer att värmerengöra de inre delarna av grillen.

Rengör grillen efter varje användning. ANVÄND INTE slipande eller lättantändliga rengöringsmedel eftersom de skadar grillens delar och kan starta en brand. Rengör grillen med tvålatten.


VARNING: Grillens åtkomliga delar kan bli mycket varma. Håll barn borta från den heta grillen även under nedkylning! Det rekommenderas att använda skyddshandskar (t.ex. grillvantar) vid hantering av särskilt varma delar.

#### Tändningsanvisningar för huvudbrännarna



1. Öppna grillens lock innan du börjar tända brännarna.


2. Vrid alla reglageknapparna medurs till OFF-läget ("•").

3. Koppla tryckreglaget till gasolflaskan. Vrid på gasmatningen (ON) på tryckreglaget. Kontrollera med tvålatten om det finns gasläckor mellan gasolflaskan och tryckreglaget.

4. Tryck och vrid kontrollknappen moturs till läget  och tryck sedan på tändningsknappen 4-5 gånger för att tända brännaren. Kontrollera om brännaren har tänts. Om brännaren inte har tänts, upprepa processen.

5. Om brännaren fortfarande inte tänds, vrid reglageknappen till OFF-läget ("•"). Vänta ca 5 minuter och upprepa steg 4.

6. Justera värmen genom att vrida reglageknappen mellan - och -lägena.

7. Tänd de andra brännarna genom att trycka in den motsvarande reglageknappen i botten och vrida den moturs till full effekt (). Tändningskanalen mellan brännarna tänds brännarna. Tänd brännarna i ordningsföljd.

8. Om brännaren inte tänds, tänd grillen med en tändsticka genom tändhålet i sidan på grillen.

9. Släck grillen genom att vrida gasolflaskans ventil eller tryckreglagets ventil till OFF-läget och vrid därefter grillens reglageknapp till OFF-läget ("•").

Varning: Om brännaren inte tänds, vrid igen reglageknappen medurs och stäng även gasolflaskans ventil. Vänta 5 minuter innan du försöker tända grillen igen enligt ordningsföljden i anvisningarna.

#### RENGÖRING OCH FÖRVARING AV GRILLEN


Genom att rengöra och underhålla grillen regelbundet kan du förlänga grillens livslängd märkbart. Om grillen inte värmer upp ordentligt eller maten fastnar lätt i halstren har grillen inte rengjorts eller underhållits enligt anvisningarna. Vidta rengöringsåtgärder efter varje användning.

#### Grillgallrar och -halstrar

Om mat eller marinader har fastnat i grillgallrar eller -halster gör så här:

1. Säkerställ att grillen är avstängd.

2. Ta bort matbitar och fett från ytor med t.ex. hushållspapper.

3. Tänd grillen enligt anvisningarna och justera brännarna på -effekt.

4. Stäng locket och låt grillen värma upp i 5-10 minuter.

5. Stäng av grillen och öppna locket.

6. Låt grillen kyla av i ca 10 minuter.

7. Borsta bränd mat och smuts bort med en rengöringsborste (A) avsedd för grillen.

8. Applicera matolja på de rena grillgallren och -halstren med hus-

hållspapper eller grillborste.

Använd aldrig en stålborste som är avsedd för svetsarbete för att rengöra grillen eftersom den kan skada grillens ytor. Garantin täcker inte skador orsakade av en sådan stålborste.

### Fettplåt och -behållare

Den vanligaste orsaken till fettbränder är en smutsig fettplåt. Om det syns matbitar eller marinader i fettplåten eller -behållaren ska fettplåten rengöras på ett följande sätt. På fettplåten får det inte finnas några fettspölar.

1. Säkerställ att grillen är avstängd.
2. Ta bort fettplåten / -behållaren från grillen.
3. Skopa bort matbitar och fett genom att använda skrapdelen i grillens rengöringsborste eller plastspatel.
4. Diska fettplåten / -behållaren med mildt diskmedel.
5. Torka fettplåten / -behållaren och ställ den tillbaka i grillen.

Du kan underlätta rengöringen genom att sätta folie som samlar in överskottsmat och fett på fettplåten. Då behöver du endast ta bort folien vid rengöring.

### Brännare

Grillens brännare är de viktigaste delarna i grillen för att grillen fungerar och värmer upp ordentligt. Därför ska man regelbundet kontrollera att de är rena och i skick. Brännare ska lossas och kontrolleras minst två gånger per år, i synnerhet på våren efter förvaringen under vintern, eller efter eventuella övriga långa förvaringsperioder. De små hålen i brännarna lockar insekter och spindlar att sätta bo i dem. Sådana stopp orsakar orena lågor eller kan leda till att lågorna brinner ojämnt. Stopp kan leda till att lågorna brinner utanför gasrören vilket skadar grillen. För att rengöra brännarna gör så här:

1. Säkerställ att grillen är avstängd.
2. Ta bort grillgallren / -halstren och värmedelningsplattor.
3. Lossa brännaren från eldlådan genom att öppna fästskruven. Fästskruven finns oftast på baksidan av brännaren.
4. I några grillmodeller krävs det att grillens bakskiva tas bort för att kunna lossa brännarna.
5. I en del av grillmodeller är det enkelt att rengöra brännarna även utan att lossa dem. Det viktigaste är att komma åt alla små gashål.
6. För att rengöra brännarnas ytor använd mässingborste avsedd för grillar.
7. Säkerställ att brännarnas hål är öppna och rena. Till exempel en tunn järntråd kan användas som hjälp i rengöringen.
8. Om brännaren har skadats eller är svårt rostig, byt den omedelbart mot en ny.
9. Kontrollera samtidigt att ventilens munstycke är ren och intakt.
10. Montera de rena brännarna tillbaka på plats.

### Värmespridarplattor

Värmespridarplattor sprider värmen jämnt till grilllytan. På ytan av värmespridarplattor kan det samlas matrester och marinader. Smutsiga värmespridarplattor försvagar grillens effekt. Rengör värmespridarplattorna så här:

1. Säkerställ att grillen är avstängd.
  2. Ta bort värmespridarplattor från grillen.
  3. Skrapa bort matrester från värmespridarplattornas yta med hjälp av skrapdelen i grillens rengöringsborste eller plastspatel.
  4. Till slut borsta resten av smutsen bort med mässingborste avsedd för grillar.
  5. Du kan även diska värmespridarplattorna på diskhon med en mild diskmedel.
  6. Torka de rena värmespridarplattorna och sätt dem tillbaka till grillen.
- Tvätta inte värmespridarplattor i diskmaskinen.

### Övriga delar i grillen

Utöver ovan nämnda delar finns det i grillen flera andra ståldelar som ska rengöras regelbundet. Använd följande allmänna anvisningar för att rengöra dem:

1. Rengör grillens ståldelar med Mustang rengöringsvätska för grillar, Mustang rengöringspray för rostfritt stål eller mild diskmedel och trasa.
2. Kom ihåg att torka de rena delarna noggrant.
3. För att rengöra kontrollpanelen och ytor med varningstexter får man inte använda rengöringsmedel eftersom den kan ta bort texter och övriga säkerhetsanvisningar.
4. Rengör alla grillens yttre ytor minst tre gånger per år för att undvika att smutsen fastnar i ytorna.
5. Testa alltid om ny rengöringsmedel lämpar sig till grillen på ett omärkbart ställe.

Klor och salt kan orsaka rostbildning i grillen. Om grillen används vid havet eller i omedelbar närhet av en simbassäng ska grillen rengöras varje vecka.

### Rengöring av trädelar

Om grillen har trädelar ska dessa rengöras och underhållas enligt följande:

1. Rengör alla trädelar regelbundet genom att torka av dem med en fuktad trasa och en mild tvål- och vattenblandning.
2. Torka de rengjorda ytorna noggrant.
3. Behandla trädelarna minst två gånger om året med allmänt tillgänglig, färglös träolja avsedd för utemöbler. Detta förhindrar att trädelarna torkar ut och spricker.
4. Kontrollera att träoljan och eventuella andra behandlingsprodukter är lämpliga genom att testa dem på ett litet, undanskymt område före behandlingen. Följ alltid tillverkarens instruktioner vid behandling av trädelar.

### Förvaring

Se dessa anvisningar när du håller en längre paus i grillning eller du vill förvara grillen t.ex. över vintern. Om grillen förvaras på ett rätt sätt förlänger det grillens livslängd och håller grillen funktionsduglig år efter år. När du förvarar din grill gör så här:

1. Rengör grillen fullständigt i enlighet med bruksanvisningarna.
2. Tänd grillen och låt den värma upp i ca 15 minuter så att alla ståldelarna har torkat.
3. Låt grillen svalna.
4. Kontrollera att alla grillgallren / -halstrarna har oljats.
5. Om grillen förvaras utomhus, lossa brännarna, gallren, halstren, värmegaller och värmedelningsplattorna. Dessa delar måste förvaras på ett torrt och varmt ställe. Det är skäl att slå in dessa delar separat i tidningspapper så att delarna inte repar ytor.
6. Lossa tryckregulatorn från gasflaskan.
7. Förvara flaskan alltid utomhus och säkerställ att gasflaskan inte exponeras för hettka eller direkt solsken.
8. Om grillen förvaras utomhus lönar det sig att skaffa ett högklassigt skyddsöverdrag som täcker grillen ända ner till marken. Kom ihåg att säkerställa att luften cirkulerar även under skyddsöverdraget.

Förvara grillen inte på så sätt att snön från taket kan falla på grillen. Garantin täcker inte skador orsakade av snö och is.

### UNDERHÅLL

Gasolgrillen bör underhållas årligen. Kontrollera telefonnumret till servicetjänsten på webbplatsen [mustang-grill.com](http://mustang-grill.com).

### GARANTI

Alla Mustangs produkter är noggrant tillverkade och kvalitets-testade innan de lämnar fabriken. Den här grillen och dess delar

har 24 månaders garanti som gäller från och med inköpsdatumet. Garantin täcker tillverknings- och materialfel.

Delarnas normala slitage, rostning eller fel som beror på rost täcks inte av garantin. Med tiden är det normalt att till exempel de keramiska ytorna spricker, att stålytorna ändrar färg och att rostfläckar uppstår under användning och de hindrar inte användningen av grillen. Garantin gäller inte heller delar som slits eller rostar vid användning såsom rörbrännare, värmefördelningsplåtar, grillgaller och -halster och värmegaller tillverkade av gjutjärn och rostfritt stål. När det gäller självmonterade grillar monterar och byter kunden själv delarna enligt anvisningarna. Om anvisningarna inte följs, upphör garantin att gälla. Läs alltid igenom bruksanvisningen noggrant och följ den. Garantin täcker inte spår och fel som orsakas av otillräckligt underhåll eller av användning som strider mot bruksanvisningen.

Garantin gäller heller inte om produkten används i kommersiella tillverknings-, försäljnings- eller uthyrningsändamål. Garantin försvagar inte konsumentskyddslagen som gäller i Finland.

Om ett fel upptäcks på produkten eller dess delar under garantitiden, kontakta importören eller Mustangs stödservice via [www.mustang-grill.com](http://www.mustang-grill.com). Läs noggrant igenom bruksanvisningen och kontrollera att du har följt den innan du framför ett garantikrav. Importören sköter all garantihantering. En ny del skickas som ersättning för en defekt eller saknad del. Kunden ansvarar själv för montering av en defekt eller saknad del.

Garantin gäller endast vid uppvisande av inköpskvitto. På inköpskvittot ska försäljarbutikens namn, grillens märke och modellnummer samt inköpsdatum framgå. Ett garantikrav ska ha följande uppgifter: grillens märke och modellnummer, orsak för reklamation, den defekta delens delnummer enligt delförteckningen, kopia på inköpskvittot eller redogörelse från inköpsstället samt inköpsdatum, konsumentens namn, telefonnummer, gatuadress, postnummer och ort.



Tillykke med valget af dit Mustang-produkt! Mustang-familien af grillprodukter er designet til at lave god mad. Vores sortiment omfatter en bred vifte af grill- og madlavningsprodukter. Gå ind på [www.mustang-grill.fi](http://www.mustang-grill.fi) eller til din nærmeste autoriserede Mustang-forhandler for at få mere at vide om vores udvalg af produkter!

Vi udvikler løbende Mustang-serien og de andre produkter, den har at byde på. Feedback fra brugerne spiller en vigtig rolle i vores produktudvikling for at sikre kvaliteten. Vi er altid glade for at modtage feedback på vores produkter på [mustang@mustang-grill.fi](mailto:mustang@mustang-grill.fi).

Læs brugervejledningen grundigt igennem, så du får mest muligt ud af din grill. Med omhyggelig, regelmæssig rengøring og vedligeholdelse af din grill forlænger du dens levetid og sikkerhed. Mustang-produktserien tilbyder også passende rengøringsprodukter og redskaber til pleje af grillen.

Du kan få flere oplysninger på [www.mustang-grill.fi](http://www.mustang-grill.fi).

#### FARE:

Hvis du lugter gas:

1. Luk for gastilførslen til apparatet.
2. Sluk alle åbne flammer, og undgå at bruge elektriske apparater.
3. Åbn låget, og ventiler området.
4. Tjek gastilslutningerne med en sæbeopløsning.
5. Hvis lugten stadig er der, skal du straks kontakte din gasleverandør eller brandvæsenet.

#### VIGTIGT:

Der kan opstå farlig brand eller eksplosion, hvis disse instruktioner ikke følges.

Det er brugerens ansvar at sikre, at grillen er korrekt samlet, installeret og vedligeholdt. Hvis instruktionerne i denne vejledning ikke følges, kan det resultere i alvorlig personskade og/eller skade på ejendom.

Enhver ændring eller forkert brug af apparatet og manglende overholdelse af instruktionerne kan være farlig.

#### ADVARSEL:

De tilgængelige dele kan være meget varme. Hold små børn væk. Dette apparat skal holdes væk fra brændbare materialer under brug.

Opbevar denne vejledning til senere brug.

#### Teknisk information:

APPARATETS KODE:	G2082 (640286)
SAMLET VARMETILFØRSEL (ALLE GASKATEGORIER):	5,5 kW (400 g/h)
GASKATEGORI:	I3B/P(30)
GASTYPER:	LPG-gasblandinger
GASTRYK:	30 mbar
INJECTORSTØRRELSE: Hovedbrændere:	0,84 mm

TIL UDENDØRS BRUG I GODT VENTILEREDE OMRÅDER  
ADVARSEL: TILGÆNGELIGE DELE KAN VÆRE MEGET VARME.  
HOLD SMÅ BØRN VÆK.  
LÆS INSTRUKTIONERNE, FØR DU BRUGER GRILLEN.

#### VIGTIGT:

Læs følgende instruktioner omhyggeligt, og sørg for, at din grill er korrekt installeret, samlet og vedligeholdt. Hvis du ikke følger disse instruktioner, kan det resultere i alvorlige personskader og/eller materielle skader.

Hvis du har spørgsmål om montering eller betjening af grillen,

skal du kontakte din forhandler.

Sørg for, at grillen og gasflasken står på et plant og jævnt underlag, når du bruger apparatet.

Tænd aldrig grillen med låget i lukket position.

Forsøg aldrig at tænde eller bruge sidebrænderen med låget i lukket position, da der kan opstå en farlig situation, og apparatet kan blive beskadiget.

Lavtryksregulatoren og gasslangen skal være af en type, der er godkendt i det land, hvor apparatet bruges.

Hvis disse dele skal udskiftes, skal du kontakte din kundeservice eller forhandler.

Brug af uautoriserede dele i grillen kan forårsage en farlig situation og et usikkert brugsmiljø.

BEMÆRK TIL FORBRUGEREN: Gem vejledningen til senere brug.

#### Sikkerhedsinstruktioner

Tæthedsprøv alle tilslutninger i henhold til vejledningen efter hver tankpåfyldning eller ved første brug efter en længere periode.

Brug aldrig en LP-gasbeholder med en beskadiget krop, ventil, krave eller fod.

Opbevar ikke en LP-gasbeholder under grillen, når du bruger apparatet.

Brug af alkohol eller receptpligtige/ikke-receptpligtige lægemidler kan forringe evnen til at samle apparatet korrekt eller betjene det sikkert.

Brug aldrig trækul, tændvæske, lavasten, benzin, petroleum eller alkohol i denne grill.

Opbevar eller brug ikke benzin eller andre brændbare væsker eller dampe inden for 7,6 m (25 fod) fra dette apparat.

Minimumsafstanden fra siderne og bagsiden af enheden til brændbare konstruktioner er 1 m (3 fod). Brug ikke apparatet under en overliggende brændbar overflade.

Brug ikke grillen, medmindre den er helt samlet, og alle dele er forsvarligt fastgjort og tilspændt.

Grillen skal rengøres grundigt og efterses med jævne mellemrum.

Rengør og efterses gasslangen før hver brug af apparatet. Hvis der er tegn på slid, snit eller lækager, skal slangen udskiftes, før apparatet tages i brug.

Brug kun dele, der er godkendt af producenten. Det er farligt at bruge uautoriserede dele. Dette kan også gøre din garanti ugyldig.

Ved madlavning skal der være brandslukningsmateriale i nærheden. Hvis der opstår brand i olie/fedt, må du ikke forsøge at slukke den med vand. Brug en kemisk brandslukker, eller kvæl den med jord/sand eller et brandtæppe.

Brug kun apparatet på fast grund, og installer eller brug det ikke i på både eller fritidskøretøjer.

Efterlad ikke en tændt grill uden opsyn. Hold altid børn og dyr væk fra grillen.

Flyt ikke på apparatet under brug.

Åbn altid grillens låg forsigtigt og langsomt, da varmen og dampen, der er fanget i grillen, kan give alvorlige forbrændinger.

Flyt gasslanger så langt væk som muligt fra varme overflader og dryppende varmt fedt.

Hold alle elektriske ledninger væk fra en varm grill.

Luk for gastilførslen ved gasflasken efter brug.

Dæk aldrig hele madlavningsområdet til.

Blokér aldrig ventilationsåbningerne i beholderrummet.

Brug beskyttelseshandsker, når du håndterer de varme komponenter.

#### Slange og regulator

Disse ting følger ikke med grillen. Brug kun slanger og regulatorer, der er godkendt til LP-gas ved ovenstående tryk. Den forventede levetid for regulatoren er 10 år. Udskift regulatoren inden for 10 år efter fremstillingsdatoen.

Det er farligt at bruge en forkert slange eller regulator; tjek altid, at

du har de rigtige ting, før du tager grillen i brug.

Den anvendte slange skal være i overensstemmelse med den relevante standard for det land, hvor den bruges. Slangen skal være maksimalt 1,2 meter lang og have en indvendig diameter på 10 mm. En slidt eller beskadiget slange skal udskiftes. Sørg for, at slangen ikke er bøjet, tilstoppet eller i kontakt med andre dele af grillen end tilslutningen.

### LP-gasflaske

LP-gasflasken må ikke tabes eller håndteres hårdhændet! Hvis grillen ikke er i brug, skal flasken kobles fra apparatet. Sæt beskyttelseshætten på flasken, når den er koblet fra apparatet.

LP-flasken skal opbevares udendørs i opretstående stilling og uden for børns rækkevidde. Flasken må aldrig opbevares i et miljø, hvor temperaturen kan nå op på over 50 °C. Opbevar ikke flasken i nærheden af flammer, tændte flammer eller andre antændelseskilder.

### RYG IKKE I NÆRHEDEN AF LP-GASFLASKEN.

Denne grill er designet til brug udendørs, væk fra brændbare materialer. Det er vigtigt, at der ikke er nogen forhindringer over hovedet, og at der er en afstand på mindst 1 m fra apparatets side eller bagside. Det er vigtigt, at grillens ventilationsåbninger ikke blokeres. Grillen skal bruges på en plan, stabil overflade. Apparatet skal beskyttes mod direkte luftstrømme og skal placeres eller beskyttes mod direkte indtrængen af dryppende vand (f.eks. regn). Der må ikke foretages ændringer på nogen del af denne grill, og reparationer og vedligeholdelse må kun udføres af et registreret gasservicefirma.

### Tilslutning af LP-gasflasken til grillen

Før tilslutning skal du sikre dig, at der ikke sidder snavs eller skidt i hovedet på LP-gasflasken, regulatoren, brænderen og brænderportene. Edderkopper og insekter kan bygge rede i og tilstoppe brænderen og dens indløb. En tilstoppet brænder kan føre til brand under grillen.

Rengør brænderens huller med en kraftig piberenser.

Sæt slangen på apparatet ved at bruge en skruenøgle til at spænde den på forbindelsesgevindet. Hvis slangen udskiftes, skal den fastgøres til grillen og regulatorens tilslutninger med slangeklemmer. Kobl regulatoren fra flasken i henhold til anvisningerne, når grillen ikke er i brug.

Grillen skal betjenes i et godt ventileret område. Forbrændingsluften må ikke hindres i at strømme til brænderen, når grillen er i brug. BRUG KUN DENNE GRILL UDENDØRS.

### KONTROLLER FØR BRUG, OM DER ER LÆKAGER I SLAGEN OG/ELLER TILSLUTNINGSGEVINDET.

Tjek aldrig for lækager med åben ild, brug altid sæbevand.

### KONTROL AF LÆKAGER

Lav 6-9 dl lækagesøgningsvæske ved at blande 1 del opvaskemiddel med 3 dele vand.

Sørg for, at kontrolventilen er »OFF«.

Tilslut regulatoren til LP-gasflasken og ON/OFF-ventilen til brænderen. Sørg for, at forbindelserne er sikre, og tænd derefter for gassen.

Børst sæbeopløsningen på slangen og alle samlinger. Hvis der opstår bobler, har du en lækage, som skal udbedres før brug.

Test igen, når fejlen er udbedret.

Sluk for gassen ved LP-gasflasken efter testen.

Hvis der opdages en lækage, som ikke kan udbedres, skal du kontakte din gasforhandler for at få repareret lækagen.

### TÆNDING AF DIN GRILL

Første gang du bruger den





Før du laver mad første gang, skal du lade grillen køre i ca. 15 minutter med låget lukket og gassen tændt på maksimum. Dette vil

»varmense« de indvendige dele.

Rengør grillen efter hver brug. Brug IKKE slibende eller brandfarlige rengøringsmidler, da det vil beskadige produktets dele og kan starte en brand. Rengør grillen med varmt sæbevand.

ADVARSEL: Tilgængelige dele kan være meget varme. Hold altid børn væk fra den varme grill (også når den køler af!). Brug beskyttelseshandsker (f.eks. ovenhandsker), når du håndterer særligt varme komponenter.

### Instruktion til tænding af hovedbrænder


1. Åbn låget på grillen, før du tænder brænderne.
  2. Drej alle knapper med uret til positionen OFF (•).
  3. Tilslut trykregulatoren til flasken med flydende gas. Drej gastilførslen til trykregulatoren til positionen ON. Brug sæbevand til at kontrollere, om der er gaslækager mellem væskegasflasken og trykregulatoren.
  4. Tryk og drej betjeningsknappen mod uret til positionen , og tryk derefter 4-5 gange på tændingsknappen for at tænde brænderen. Kontrollér, om brænderen er tændt. Hvis brænderen ikke er tændt, skal du gentage processen.
  5. Hvis brænderen stadig ikke vil tænde, skal du dreje knappen til OFF-position (•), vente ca. 5 minutter og gentage trin 4.
  6. Flyt knappen mellem positionerne  og  for at justere temperaturen.
  7. Tænd de andre brændere ved at trykke på og holde den tilsvarende knap nede og dreje den mod uret til positionen . Tændingsenheden mellem brænderne vil tænde brænderne. Tænd brænderne i rækkefølge.
  8. Hvis brænderen ikke vil tænde, skal du bruge en tændstik til at tænde grillen fra tændingshullet i siden af grillen.
  9. Sluk for grillen ved at dreje ventilen på væskegasflasken eller ventilen på trykregulatoren til positionen OFF, og drej derefter grillens knapper til positionen OFF (•).
- Advarsler! Hvis brænderen ikke vil tænde, skal du dreje knappen (med uret) til positionen OFF og lukke ventilen på flasken med flydende gas. Vent 5 minutter, før du prøver at tænde grillen igen ved at følge instruktionerne.

### RENGØRING OG OPBEVARING AF GRILLEN

Du kan forlænge grillens levetid markant, hvis du rengør og vedligeholder den regelmæssigt. Hvis grillen ikke varmes tilstrækkeligt op, eller hvis maden klæber meget til ristene, er grillen ikke rengjort eller vedligeholdt som angivet. Foretag følgende vedligeholdelse efter hver brug.

### Grillriste

Hvis der klæber madrester eller marinade på grillen eller risten, skal du gøre følgende:

1. Kontrollér, at grillen er slukket.
2. Fjern løse madrester og fedt fra overfladerne med f.eks. køkkenrulle.
3. Tænd for grillen som angivet, og indstil brænderne til .
4. Luk låget, og lad grillen varme op i 5-10 minutter.
5. Sluk for grillen, og åbn låget.
6. Lad grillen afkøle i ca. 10 minutter.
7. Børst brændte madrester og snavs væk men en grillrensborste (A).
8. Smør de rengjorte grillriste ind i madlavningsolie med f.eks. køkkenrulle eller en madlavningspensel.

Undlad at bruge en stålbørste beregnet til svejsning til rengøring af grillen, da det kan beskadige grillens overflader. Garantien dækker ikke skader forårsaget af en sådan stålbørste.

Fedtbakke og kop

En ikke-rengjort fedtbakke er den mest almindelige årsag til en fedtrelateret brand. Hvis du kan se madrester eller marinade i fedt-

bakken eller koppen, skal du omgående rengøre fedtbakken/koppen via nedenstående instruktioner. Fedtbakken må ikke indeholde plamager af fedt.

1. Kontrollér, at grillen er slukket.
2. Tag fedtbakken/koppen ud af grillen.
3. Skrab løse madrester og fedt af ved hjælp af skraberens på grillbørsten eller en paletkniv af plast.
4. Vask fedtbakken/koppen i mildt opvaskevand.
5. Tør fedtbakken/koppen, og sæt den tilbage i grillen.

Du kan lette rengøringen ved at bruge stanniolen oven på fedtbakken til at opsamle overskydende madrester og fedt. Ved rengøring af bakken skal du derved blot fjerne stanniolen.

### Brændere

Grillens brændere er den vigtigste del til grillens funktionalitet og opvarmning. Det er derfor, du skal kontrollere, at de er rene, og deres stand regelmæssigt. Du skal afmontere og kontrollere brænderne mindst to gange om året, især hvis grillen har været opbevaret i længere tid. De små huller i brænderne tiltrækker insekter og edderkopper, der kan bygge rede i brænderne. Sådanne blokeringer får flammen til at brænde ujævnt og urent. Blokeringer kan få flammen til at blusse op uden for gasrøret, hvilket kan beskadige grillen alvorligt. Rengør brænderne ved at følge nedenstående instruktioner.

1. Kontrollér, at grillen er slukket.
2. Afmonter grillristene og varmfordelingspladerne.
3. Afmonter brænderen fra ildboksen ved at løsne monteringskruen. Kruen er normalt placeret ved bagenden af brænderne.
4. På visse grillmodeller kræver brænderne, at du også afmonterer grillens bagplader.
5. Visse modeller kan også rengøres selv med brænderne monteret. Det vigtigste er, at der er adgang til alle de små gashuller.
6. Brug en messingbørste til grillrengøring til at rengøre brændernes overflader.
7. Sørg for, at hullerne er åbne og rene. Du kan bruge en tynd wire til formålet.
8. Hvis brænderen er beskadiget eller meget korroderet, skal den omgående udskiftes.
9. Kontrollér samtidigt, at ventildysen er ren og intakt.
10. Sæt de rengjorte brændere tilbage i grillen.

### Varmefordelingsplader

Varmefordelingspladerne fordeler varmen jævnt på grilloverfladen. Varmefordelingspladernes overflade opsamler desuden madrester og marinade. Snavsede varmfordelingsplader mindsker grillens effektivitet. Rengør varmfordelingspladerne ved at følge nedenstående instruktioner.

1. Kontrollér, at grillen er slukket.
2. Afmonter varmfordelingspladerne fra grillen.
3. Skrab madrester af pladernes overflade ved hjælp af skraberens på grillbørsten eller en paletkniv af plast.
4. Børst til slut snavs af med en messingbørste til grillrengøring.
5. Hvis du vil, kan du også vaske varmfordelingspladerne i vasken med et mildt opvaskemiddel.
6. Tør varmfordelingspladerne, og sæt dem tilbage i grillen.

Undlad at vaske varmfordelingspladerne i en opvaskemaskine

### Øvrige grillkomponenter

Udover ovennævnte komponenter indeholder grillen også mange andre ståledele, der skal rengøres regelmæssigt. Du kan følge de generelle instruktioner nedenfor ved rengøring af disse komponenter.

1. Rengør grillens ståledele med Mustang-grillrengøringsmiddel, Mustang-rengøringsmiddel til rustfrit stål eller et mildt opvaskemiddel og en klud.

2. Glem ikke at tørre de rengjorte dele omhyggeligt.

3. Undlad at bruge rengøringsmidler til rengøring af kontrolpaneler og overflader med advarselsmærkater, da det kan fjerne teksten eller andre mærkater.

4. Rengør alle grillens udvendige flader mindst tre gange om året, så stænk, ikke klæber fast til overfladerne.

5. Test altid egnetheden af et nyt rengøringsmiddel på et ikke-synligt sted.

Klorforbindelser og salt kan få grillen til at ruste. Hvis grillen anvendes i umiddelbar nærhed af havvand eller en swimmingpool, skal den rengøres hver uge.

### Rengøring af trædele

Hvis grillen har trædele, skal de rengøres og vedligeholdes på følgende vis:

1. Rengør alle trædele med jævne mellemrum ved at tørre dem af med en fugtig klud og en mild sæbevandsblanding.
2. Tør de rengjorte overflader omhyggeligt.
3. Trædelene skal behandles med almindelig farveløs træolie til havemøbler mindst to gange om året. Dermed forebygges det, at trædelene tørrer ud og slår revner.
4. Inden behandlingen udføres, skal du teste træolien og alle andre midler på et lille område, der ikke kan ses, for at sikre dig at de egner sig til formålet. Følg altid producentens anvisninger, når du behandler trædele.

### Opbevaring

Gennemgå disse instruktioner, hvis du holder op med at bruge grillen i længere tid, eller hvis du vil opbevare grillen f.eks. vintren over. Korrekt opbevaring forlænger grillens levetid og holder den anvendelig i mange år. Ved opbevaring af grillen skal du følge nedenstående instruktioner

1. Rengør grillen helt i henhold til instruktionerne i manualen.
2. Tænd for grillen, og lad varme op i 15 minutter, så alle ståldele er tørre.
3. Lad grille afkøle.
4. Sørg for, at alle grillriste er indsmurt i olie.
5. Hvis grillen opbevares udendørs, skal du afmontere brændere, riste, varmerist og varmfordelingsplader. Disse dele skal opbevares tørt og varmt. Det anbefales også, at du pakker disse dele ind i avispapir eller lignende, så overfladerne ikke bliver ridsede.
6. Afmonter trykregulatoren fra gasflasken.
7. Opbevar altid gasflasken udendørs, og sørg for, at den ikke er udsat for varme eller sollys.
8. Hvis grillen opbevares udendørs, anbefales det, at du køber et overtræk af god kvalitet, der dækker hele vejen ned. Sørg for, at luften kan cirkulere under overtrækket.

Undlad at opbevare grillen på et sted, hvor nedfaldende sne fra taget kan ramme den. Garantien dækker ikke skader forårsaget af sne og is.

### Servicering

Din gasgrill bør serviceres en gang om året. Find telefonnummeret til vedligeholdelsesservice på hjemmesiden [mustang-grill.com](http://mustang-grill.com).

### GARANTI

Alle Mustang-produkter er omhyggeligt fremstillet og kvalitetstestet, inden de forlader fabrikken. Denne grill og dens dele har 24 måneders garanti fra købsdatoen. Garantien dækker materiale- og fabrikationsfejl.

Normal slitage, rust eller korrosion af dele er ikke dækket af garantien. For eksempel er revnedannelse i keramiske overflader, misfarvning af ståloverflader og forekomst af rustpletter normalt under brug og med tiden og påvirker ikke brugen af grillen. Garan-



tien dækker heller ikke dele, der udsættes for slitage eller korrosion under brug, f.eks. rørbrændere af støbejern og rustfrit stål, varmemfordelingsplader, grillriste og -plader samt varmeriste. I tilfælde af selvmonterede griller skal kunden altid installere og udskifte delene i henhold til instruktionerne. Hvis disse instruktioner ikke følges, bortfalder garantien. Læs altid brugsanvisningen grundigt igennem, og følg den. Skader eller defekter som følge af forkert brug eller manglende vedligeholdelse er ikke dækket af garantien.

Garantien gælder heller ikke, hvis produktet bruges til kommerciel fremstilling, salg eller udlejning.

Hvis et produkt eller en del af produktet bliver defekt i løbet af garantiperioden, bedes du kontakte importøren eller Mustang Support Service via [www.mustang-grill.com](http://www.mustang-grill.com). Før du indsender et garantikrav, bedes du læse brugervejledningen grundigt igen for at sikre, at du har fulgt den. Alle garantikrav vil blive behandlet af importøren. En defekt eller manglende del vil blive erstattet med en ny del. Kunden er ansvarlig for at installere den defekte eller manglende del.

Garantien er kun gyldig ved fremvisning af en kopi af købskvitteringen. Købskvitteringen skal indeholde sælgerens navn, grillens mærke og modelnummer samt købsdatoen. Garantikravet skal indeholde følgende oplysninger: grillens mærke og modelnummer, årsagen til reklamationen, reservedelsnummeret på den defekte del i henhold til reservedelslisten, en kopi af købskvitteringen eller en erklæring om købssted, købsdato, forbrugerens navn, telefonnummer, gadeadresse, postnummer og by.



Gratulerer med valget av ditt Mustang-produkt! Mustang-familien av grillprodukter er utviklet for å lage god mat. Vårt sortiment omfatter et bredt spekter av grill- og matlagingsprodukter. Gå inn på [www.mustang-grill.fi](http://www.mustang-grill.fi) eller til din nærmeste lisensierte Mustang-forhandler for å finne ut mer om vårt utvalg av produkter!

Vi utvikler kontinuerlig Mustang-serien og andre produkter den har å tilby. Tilbakemeldinger fra brukerne spiller en viktig rolle i vår produktutvikling for å sikre kvaliteten. Vi er alltid glade for tilbakemeldinger på produktene våre på [mustang@mustang-grill.fi](mailto:mustang@mustang-grill.fi).

Gå nøye gjennom bruksanvisningen slik at du får mest mulig ut av grillen din. Ved å rengjøre og vedlikeholde grillen regelmessig forlenger du dens levetid og sikkerhet. Mustang-produktserien tilbyr også riktige rengjøringsprodukter og verktøy for å ta vare på den.

For mer informasjon, gå til [www.mustang-grill.fi](http://www.mustang-grill.fi).

#### FARE:

Hvis du kjenner gasslukkt:

1. Slå av gasstilførselen til apparatet.
2. Slukk all åpen ild, og unngå å bruke elektriske apparater.
3. Åpne lokket og ventiler området.
4. Kontroller gasstilkoblingene med en såpeløsning.
5. Hvis lukten fortsatt eksisterer, må du umiddelbart kontakte gassleverandøren eller brannvesenet.

#### VIKTIG!

Det kan oppstå brann- eller eksplosjonsfare hvis disse instruksjonene ikke følges.

Det er brukerens ansvar å sørge for at grillen er riktig montert, installert og vedlikeholdt. Hvis instruksjonene i denne bruksanvisningen ikke følges, kan det føre til alvorlige personskader og/eller materielle skader.

Enhver modifisering eller feil bruk av apparatet og manglende overholdelse av instruksjonene kan være farlig.

#### ADVARSEL:

De tilgjengelige delene kan være svært varme. Hold små barn borte.

Dette apparatet må holdes borte fra brennbare materialer under bruk.

Ta vare på denne bruksanvisningen for fremtidig bruk.

#### Teknisk informasjon:

APPARATKODE:	G2082 (640286)
TOTAL VARMETILFØRSEL (ALLE GASSKATEGORIER):	5,5 kW (400 g/h)
GASSKATEGORI:	I3B/P(30)
TYPER GASS:	LPG-gassblandinger
GASSTRYKK:	30 mbar
INJECTORSTØRRELSE:	Hovedbrennere: 0,84 mm

FOR UTENDØRS BRUK I GODT VENTILERTE OMRÅDER  
ADVARSEL: TILGJENGELIGE DELER KAN VÆRE SVÆRT VARME.  
HOLD SMÅ BARN BORTE.  
LES INSTRUKSJONENE FØR GRILLEN TAS I BRUK.

#### VIKTIG:

Les følgende anvisninger nøye og sørg for at grillen er riktig installert, montert og vedlikeholdt. Hvis du ikke følger disse instruksjonene, kan det føre til alvorlige personskader og/eller materielle skader.

Hvis du har spørsmål om montering eller bruk av grillen, ta kontakt med forhandleren.

Sørg for at grillen og gassflasken står på et flatt og jevnt underlag

når du bruker apparatet.

Tenn aldri opp grillen med lokket i lukket posisjon.

Forsøk aldri å tenne eller bruke sidebrenneren med lokket i lukket posisjon, da det kan oppstå en farlig situasjon og skade på apparatet.

Lavtrykksregulatoren og gasslangen må være av en type som er godkjent i det landet der apparatet brukes.

Hvis disse delene må skiftes ut, må du kontakte kundeservice eller forhandleren.

Bruk av ikke-godkjente deler i grillen kan føre til farlige situasjoner og et utrygt bruksmiljø.

MERKNAD TIL FORBRUKEREN: Ta vare på instruksjonene for fremtidig bruk.

#### Sikkerhetsinstruksjoner

Lekkasjetest alle tilkoblinger i henhold til instruksjonene etter hver påfylling eller første gangs bruk etter en lengre periode.

Bruk aldri en LP-gassbeholder med skadet tankhus, ventil, krage eller fotfeste.

Ikke oppbevar en LP-gassbeholder under grillen når du bruker apparatet.

Bruk av alkohol eller reseptbelagte/reseptfrie legemidler kan svekke evnen til å montere eller bruke apparatet på en sikker måte.

Bruk aldri kull, tennvæske, lavasteiner, bensin, parafin eller alkohol i denne grillen.

Ikke oppbevar eller bruk bensin eller andre brennbare væsker eller damp innenfor 7,6 m (25 fot) fra dette apparatet.

Minimumsavstanden fra sidene og baksiden av apparatet til brennbare konstruksjoner er 1 m (3 fot). Ikke bruk apparatet under en brennbar overflate.

Ikke bruk grillen med mindre den er ferdig montert og alle delene er forsvarlig festet og strammet til.

Grillen bør rengjøres grundig og inspiseres regelmessig. Rengjør og inspiser gasslangen før hver gang du bruker apparatet. Hvis det er tegn på slitasje, kutt eller lekkasjer, må slangen skiftes ut før apparatet tas i bruk.

Bruk kun deler som er godkjent av produsenten. Det er farlig å bruke uautoriserte deler. Dette kan også gjøre garantien ugyldig.

Ved matlaging skal brannslukningsmaterieell være plassert i nærheten. Ved brann i olje/fett må du ikke forsøke å slukke den med vann. Bruk et kjemisk brannslukningsapparat eller kvel den med jord/sand eller brannteppe.

Bruk apparatet kun på fast grunn, ikke installer eller bruk det i/på båter eller fritidskjøretøy.

Ikke la en tent grill stå uten tilsyn. Hold barn og dyr borte fra grillen til enhver tid.

Ikke flytt på apparatet under bruk.

Åpne alltid lokket på grillen forsiktig og langsomt, da varmen og dampen som blir fanget i grillen, kan føre til alvorlige brannskader.

Flytt gasslangene så langt unna varme overflater og dryppende varmt fett som mulig.

Hold alle elektriske ledninger borte fra en varm grill.

Slå av gasstilførselen ved gassflasken etter bruk.

Dekk aldri til hele kokeområdet.

Ventilasjonsåpningene i beholderrommet må aldri blokkeres.

Bruk vernehansker når du håndterer de varme komponentene.

#### Slange og regulator

Disse delene følger ikke med grillen. Bruk kun slange og regulator som er godkjent for LP-gass ved ovennevnte trykk. Forventet levetid for regulatoren er 10 år. Skift ut regulatoren innen 10 år etter produksjonsdatoen.

Bruk av feil slange eller regulator er farlig; sjekk alltid at du har riktig utstyr før du tar grillen i bruk.

Slangen som brukes, må være i samsvar med relevant standard for det landet der den brukes. Slangen må være maksimalt 1,2 meter lang og ha en innvendig diameter på 10 mm. En slitt eller skadet

slange må skiftes ut. Sørg for at slangen ikke er bøyd, tilstoppet eller i kontakt med andre deler av grillen enn ved tilkoblingen.

### LP-gassflaske

LP-gassflasken må ikke slippes ned eller håndteres på en hardhendt måte! Hvis grillen ikke er i bruk, må flasken kobles fra apparatet. Sett beskyttelseshetten på flasken etter at den er koblet fra apparatet.

LP-flasken skal oppbevares utendørs i oppreist stilling og utilgjengelig for barn. Flasken må aldri oppbevares i omgivelser der temperaturen kan komme opp i over 50 °C. Flasken må ikke oppbevares i nærheten av flammer, tenningsflammer eller andre antennesskilder.

### IKKE RØYK I NÆRHETEN AV LP-GASSFLASKEN.

Denne grillen er konstruert for bruk utendørs, borte fra brennbare materialer. Det er viktig at det ikke er noen hindringer over hodet, og at det er en avstand på minst 1 m fra siden eller baksiden av apparatet. Det er viktig at ventilasjonsåpningene på grillen ikke blokkeres. Grillen må brukes på et jevnt og stabilt underlag. Apparatet skal beskyttes mot direkte luftstrøm og skal plasseres eller beskyttes mot direkte inntrengning av dryppende vann (f.eks. regn).

Det må ikke gjøres endringer på noen deler av denne grillen, og reparasjoner og vedlikehold skal kun utføres av et registrert gassservicefirma.

### Tilkobling av LP-gassflasken til grillen

Før du kobler til grillen, må du forsikre deg om at det ikke er noe rusk eller skitt i hodet på LP-gassflasken, regulatoren, brenneren og brennerportene. Edderkopper og insekter kan bygge rede i og tette brenneren og innløpet. En tilstoppet brenner kan føre til brann under grillen.

Rengjør brennerhullene med en kraftig piperenser.

Monter slangen på apparatet ved hjelp av en fastnøkkel for å stramme den på tilkoblingsgjengen. Hvis slangen skiftes ut, må den festes til grillen og regulatortilkoblingene med slangeklemmer. Koble regulatoren fra flasken i henhold til instruksjonene når grillen ikke er i bruk.

Grillen må brukes i et godt ventilert område. Ikke blokker forbrenningsluften til brenneren når grillen er i bruk. BRUK KUN DENNE GRILLEN UTENDØRS.

### FØR BRUK MÅ DU KONTROLLERE AT DET IKKE ER LEKKASJER I SLANGEN OG/ELLER TILKOBLINGSGJENGENE.

Kontroller aldri for lekkasjer med åpen flamme, bruk alltid såpevann.

### KONTROLL AV LEKKASJER

Lag 6-9 dl lekkasjesøkervæske ved å blande én del oppvaskmiddel med tre deler vann.

Kontroller at kontrollventilen er «OFF».

Koble regulatoren til LP-gassflasken og ON/OFF-ventilen til brenneren. Kontroller at tilkoblingene sitter godt fast, og slå deretter gassen PÅ.

Pensle såpeløsningen på slangen og alle skjøter. Hvis det oppstår bobler, har du en lekkasje som må utbedres før bruk.

Test på nytt etter at feilen er utbedret.

Slå gassen AV ved LP-gassflasken etter testing.

Hvis det oppdages en lekkasje som ikke kan utbedres, må du kontakte gassforhandleren for å få reparert lekkasjen.

### TENNING AV GRILLEN





#### Første gangs bruk

Før første gangs bruk bør grillen brukes i ca. 15 minutter med lokket lukket og gassen skrudd på maks. Dette vil «varme opp» de indre delene.

Rengjør grillen etter hver gang du bruker den. IKKE bruk slipende

eller brennbare rengjøringsmidler, da det vil skade produktets deler og kan starte en brann. Rengjør grillen med varmt såpevann. ADVARSEL: Deler som er tilgjengelige, kan være svært varme. Hold barn borte fra den varme grillen til enhver tid (også når apparatet kjøles ned!). Bruk vernehansker (f.eks. stekehansker) når du håndterer spesielt varme komponenter.

### Instruksjoner for tenning av hovedbrenneren


1. Åpne lokket på grillen før du tenner brennerne.
2. Vri alle knottene med klokken til AV-stilling (•).
3. Koble trykkregulatoren til flasken med flytende gass. Vri gasstilførselen til trykkregulatoren til PÅ-stilling. Bruk såpevann for å sjekke om det er gasslekkasjer mellom gassflasken og trykkregulatoren.
4. Trykk og vri kontrollknappen mot klokken til -posisjon, og trykk deretter på tenningsknappen 4-5 ganger for å tenne brenneren. Kontroller om brenneren har tent. Hvis brenneren ikke har tent, gjentar du prosessen.
5. Hvis brenneren fortsatt ikke tenner, vrir du knappen til AV-stilling (•), venter i ca. 5 minutter og gjentar trinn 4.
6. Beveg knotten mellom posisjonene  og  for å justere temperaturen.
7. Tenn de andre brennerne ved å trykke på og holde inne den tilsvarende knotten og vri knottene mot urviseren til -posisjon. Tenningsenheten mellom brennerne vil tenne brennerne. Tenn brennerne i rekkefølge.
8. Hvis brenneren ikke tenner, kan du bruke en fyrstikk til å tenne grillen fra tenningshullet på siden av grillen.
9. Slå av grillen ved å vri ventilen på gassflasken eller ventilen på trykkregulatoren til AV-stilling, og vri deretter knottene på grillen til AV-stilling (•).  
Advarsel! Hvis brenneren ikke tenner, vrir du knotten (med klokken) til AV-stilling og stenger ventilen på flasken med flytende gass. Vent i 5 minutter før du prøver å tenne grillen igjen ved å følge instruksjonene.

### RENGJØRING OG OPPBEVARING AV GRILLEN

Du kan forlenge levetiden til grillen betydelig hvis du rengjør og vedlikeholder den regelmessig. Hvis grillen ikke varmes opp tilstrekkelig eller maten til stadighet henger fast på risten, er ikke grillen rengjort eller vedlikeholdt som beskrevet. Utfør følgende vedlikeholdstiltak etter hver bruk.

### Grillristene

Hvis mat eller marinade sitter fast på grillen eller risten, kan du gjøre følgende:

1. Kontroller at grillen er slått av.
2. Fjern for eksempel løse matrester og fett fra overflatene med kjøkkenpapir.
3. Tenn grillen etter instruksjonene, og sett brennerne til .
4. Lukk hetten og la grillen varmes opp i 5–10 minutter.
5. Slå av grillen og åpne hetten.
6. La grillen avkjøles i 10 minutter.
7. Børst brent mat og smuss av med en rensbørste beregnet for griller (A).
8. Smør de rengjorte grillristene med matolje ved å f.eks. bruke kjøkkenpapir eller en matpensel.

Ikke bruk en stålbørste som er beregnet på sveising for å rengjøre grillen, da den kan skade grillens overflater. Garantien dekker ikke skader som skyldes bruk av slike stålbørster.

### Fettskuff og -kopp

En skitten fettskuff er den vanligste årsaken til at fettbranner oppstår. Hvis du ser matbiter eller marinade i fettskuffen eller koppen, må du rengjøre skuffen/koppen umiddelbart ved å følge instruksjonene nedenfor. Fettskuffen skal ikke ha store pytter med fett.

NO

1. Kontroller at grillen er slått av.
2. Ta fettskuffen/koppen ut av grillen.
3. Skrap av løs mat og fett med skraperen på grillrengjøringsbørsten eller en plastslippepott.
4. Vask fettskuffen/koppen med et mildt oppvaskmiddel.
5. Tørk fettskuffen/koppen, og sett den tilbake i grillen.

Du kan gjøre rengjøringen enklere ved å bruke en folie på toppen av fettskuffen for å samle opp ekstra mat og fett. Når du rengjør skuffen, trenger du bare å fjerne den skitne folien.

### Grillens brennere

Grillens brennere er den viktigste delen av grillens funksjonalitet og oppvarming. Dette er grunnen til at du må sjekke rensligheten og tilstanden til brennerne regelmessig. Du må fjerne og kontrollere brennerne minst to ganger i året, spesielt når grillen har vært lagret i lang tid. De små hullene på brennerne tiltrekker seg insekter og edderkopper som lager reir i brennerne. Slike hindringer fører til at flammen brenner ujevnt og urent. Hindringer kan føre til at flammer blusses opp utenfor gassrøret, noe som kan gi alvorlig skade på grillen. Rengjør brennerne ved å følge instruksjonene nedenfor.

1. Kontroller at grillen er slått av.
2. Fjern grillristen og varmfordelingsplatene.
3. Fjern brenneren fra brannboksen ved å løsne monteringsskruen. Skruen er vanligvis plassert bakerst på brennerne.
4. På noen grillmodeller må du også fjerne bakplatene på grillen for å fjerne brennerne.
5. Noen modeller kan også rengjøres selv når brennerne er på plass. Den viktigste delen er å kunne få tilgang til alle de små gasshullene.
6. Bruk rengjøringsbørsten av messing som er beregnet på griller for å rengjøre brenneroverflatene.
7. Kontroller at brennerhullene er åpne og rene. Du kan bruke en tynn ståltråd til dette.
8. Hvis brenneren er skadet eller korrodert, må du skifte den umiddelbart.
9. Kontroller samtidig at ventildysen er ren og intakt.
10. Sett de rengjorte brennerne tilbake i grillen.

### Varmefordelingsplatene

Varmefordelingsplatene sprer varmen jevnt på grilloverflaten. Overflaten på varmfordelingsplatene samler også matrester og marinade. Skitne varmfordelingsplater reduserer grillens effektivitet. Rengjør varmfordelingsplatene ved å følge instruksjonene nedenfor.

1. Kontroller at grillen er slått av.
2. Fjern varmfordelingsplatene fra grillen.
3. Skrap maten av platenes overflate ved å bruke skraperdelen av rengjøringsbørsten eller en plastslippepott.
4. Til slutt børster du av skitt ved hjelp av en rengjøringsbørste i messing beregnet for griller.
5. Hvis du ønsker, kan du også vaske varmfordelingsplatene ved å bruke et mildt oppvaskmiddel.
6. Tørk varmfordelingsplatene og sett dem tilbake i grillen.

Ikke vask varmfordelingsplatene i oppvaskmaskin.

### Andre grillkomponenter

i tillegg til de ovennevnte komponentene, har grillen også mange andre ståldeler som må rengjøres regelmessig. Du kan følge de generelle instruksjonene nedenfor for rengjøring av slike komponenter.

1. Rengjør ståldelene på grillen med Mustangs eget grillrengjøringsmiddel, Mustangs rengjøringsmiddel for rustfritt stål eller et mildt oppvaskmiddel og en klut.
2. Ikke glem å tørke de rengjorte delene grundig.

3. Ikke bruk rengjøringsmidler til å rengjøre kontrollpanelene og overflatene med varselsmerker, da de kan fjerne teksten eller andre etiketter.
4. Rengjør alle grillens ytre overflater minst tre ganger i året, slik at flekker ikke fester seg til overflatene.
5. Test alltid om et nytt vaskemiddel egner seg ved å påføre det på et lite synlig sted.

Klor og salt kan føre til at grillen rustner. Hvis grillen brukes i umiddelbar nærhet av sjøvann eller et basseng, må grillen rengjøres ukentlig.

### Rengjøring av tredeler

Hvis grillen inneholder tredeler, må de rengjøres og vedlikeholdes på følgende måte:

1. Rengjør alle tredeler regelmessig ved å tørke av dem med en fuktig klut og mild såpe- og vannblanding.
2. Tørk de rengjorte overflatene forsiktig.
3. Behandle tredelene med allment tilgjengelig fargeløs treolje beregnet på utemøbler minst to ganger i året. Dette vil forhindre at tredelene tørker og sprekker.
4. Før selve behandlingen, test treoljen og eventuelle andre oljer på et lite iøynefallende område for å kontrollere egnetheten. Følg alltid produsentens anvisninger ved behandling av tredeler.

### Lagring

Gå gjennom disse instruksjonene dersom du f.eks. slutter å bruke grillen i en lang periode, eller du ønsker å sette bort grillen for vinteren. Riktig oppbevaring forlenger grillens levetid og holder den i drift i mange år. Følg instruksjonene nedenfor når du lagrer grillen.

1. Rengjør grillen helt i henhold til instruksjonene i håndboken.
2. Slå på grillen og la den varmes opp i 15 minutter, slik at alle ståldeler tørker.
3. La grillen avkjøles.
4. Sørg for at alle grillristen er smurt.
5. Hvis du oppbevarer grillen utendørs, fjerner du brennerne, ristene, varmeristen og varmfordelingsplatene fra grillen. Disse delene må oppbevares på et tørt og varmt sted. Det anbefales også at du pakker disse delene inn i aviser eller lignende, slik at overflatene ikke får riper.
6. Fjern lavtrykksregulatoren fra gassflasken.
7. Oppbevar alltid gassflasken utendørs og sørg for at den ikke utsettes for varme eller sollys.
8. Hvis grillen oppbevares utendørs, anbefales det at du kjøper en beskyttelse av høy kvalitet som dekker absolutt hele grillen. Sørg likevel for at luften kan sirkulere under beskyttelsen.

Ikke oppbevar grillen på et sted der det er fare for at snø fra taket kan falle ned på den. Garantien dekker ikke skader forårsaket av snø og is.

### Service

Gassgrillen din bør vedlikeholdes hvert år. Telefonnummeret til servicetjenesten finner du på nettstedet [mustang-grill.com](http://mustang-grill.com).

### GARANTI

Alle Mustang-produkter er nøye produsert og kvalitetstestet før de forlater fabrikkene. Denne grillen og dens deler har 24 måneders garanti fra kjøpsdatoen. Garantien dekker defekter i materiale og utførelse.

Normal slitasje, rust eller korrosjon på deler dekkes ikke av garantien. For eksempel er sprekker i keramiske overflater, misfarging av ståloverflater og forekomsten av rustflekker normalt under bruk og over tid, og påvirker ikke bruken av grillen. Garantien dekker heller ikke deler som utsettes for slitasje eller korrosjon under bruk, for eksempel rørbrennere av støpejern og rustfritt stål, var-

mefordelingsplater, steke- og grillrister og varmestativer. Når det gjelder selvmonterte griller, må kunden alltid installere og skifte ut delene i henhold til instruksjonene. Hvis disse instruksjonene ikke følges, bortfaller garantien. Les alltid nøye gjennom bruksanvisningen og følg den. Skader eller defekter som skyldes feil bruk eller forsømt vedlikehold dekkes ikke av garantien.

Garantien gjelder heller ikke hvis produktet brukes til kommersiell produksjon, salg eller utleie.

Hvis et produkt eller en del av produktet blir defekt i løpet av garantiperioden, ber vi deg kontakte importøren eller Mustang Support Service via [www.mustang-grill.com](http://www.mustang-grill.com). Før du sender inn et garantikrav, må du lese bruksanvisningen grundig på nytt for å sikre at du har fulgt den. Alle garantikrav vil bli behandlet av importøren. En defekt eller manglende del vil bli erstattet med en ny del. Kunden er ansvarlig for å installere den defekte eller manglende delen.

Garantien er kun gyldig mot fremvisning av en kopi av kjøpskvitteringen. Kjøpskvitteringen må inneholde selgerens navn, grillens merke og modellnummer samt kjøpsdato. Reklamasjonen må inneholde følgende opplysninger: grillens merke og modellnummer, årsaken til reklamasjonen, delenummeret til den defekte delen i henhold til delelisten, en kopi av kjøpskvitteringen eller en erklæring om kjøpssted, kjøpsdato, forbrukerens navn, telefonnummer, gateadresse, postnummer og by.

NO

Õnnitleme Teid Mustang-toote valiku puhul! Mustangi sarja grillimistooted on välja töötatud hea toidu valmistamiseks. Toodete hulgas on lai valik grillimis- ja toiduvalmistamistooted. Tutvuge kõigi toodetega internetis aadressil [www.mustang-grill.com](http://www.mustang-grill.com) või lähima Mustangi sarja toodete edasimüüja juures.

Arendame pidevalt Mustangi sarja tootevalikut ja sellesse kuuluvaid tooteid. Kasutajatelt saadav tagasiside on meie tootearenduses kvaliteedi tagamiseks eriti tähtsal kohal. Ootame meel-sasti toodetesse puutuvat tagasisidet meiliaadressil [mustang@mustang-grill.com](mailto:mustang@mustang-grill.com).

Käesolev toode on mõeldud muretaks ja probleemideta kasutamiseks paljude aastate jooksul. Tutvuge hoolikalt kasutusjuhendiga, et võiksite seadme võimalused maksimaalselt ära kasutada. Grilli regulaarne puhastamine ja hooldus pikendab selle kasutusiga ja turvalisust. Mustangi tootevalikust leiata ka vajalikud puhastusvahendid ja harjad.

Lisainfot leiata aadressil [www.mustang-grill.com](http://www.mustang-grill.com).

Mustangi sarja toodete hooldusega tegelevate ettevõtete kontaktid leiata aadressil [www.mustang-grill.com](http://www.mustang-grill.com).

#### OHT:

Kui tunnete gaasilõhna, siis toimige järgmiselt.

1. Sulgege gaasi juurdrvool seadmesse.
2. Kustutage kõik lahtised leegid ja hoiduge mis tahes elektriliste seadmete kasutamisest.
3. Avage kaas ja tuulutage seda alla.
4. Kontrollige gaasiühendusi seebivee abil.
5. Kui gaasilõhn püsib, siis võtke kohe ühendust gaasifirma või tuletõrjega.

#### OLULINE:

Nende juhiste eiramine võib põhjustada ohtliku tulekahju või plahvatuse.

Kasutaja kohustuseks on kontrollida, et grillahi oleks õigesti kokku pandud, paigaldatud ja korralikult hooldatud. Selles kasutusjuhendis toodud juhiste eiramine võib põhjustada raskeid kehavigastusi ja/või varalist kahju.

Seadmele mis tahes muudatuste tegemine, selle vale kasutamine või nende juhiste eiramine võib olla ohtlik.

#### HOIATUS!

Seadme osad võivad minna väga kuumaks. Hoidke lapsed seadmest ohutus kauguses.

Seda seadet tuleb kasutamise ajal kergsüttivatest materjalidest eemal hoida.

Hoidke see juhend edaspidiseks tarbeks alles.

#### Tehniline teave

SEADME KOOD:	G2082 (640286)
SUMMAARNE KÜTTEVÕIMSUS (KÕIK GAASIKLASSID):	5,5 kW (400 g/h)
GAASI KLASS:	I3B/P(30)
GAASI TÜÜBID:	Vedelgaasi segud
GAASI RÕHK:	30 mbar
DÜÜSI LÄBIMÕÖT:	Grillipõletil: 0,84 mm

KASUTAMISEKS VÄLJASPOOL RUUME JA HÄSTI VENTILEERITUD KOHAS.

HOIATUS. LIGIPÄÄSETAVAD OSAD VÕIVAD OLLA VÄGA KUUMAD.

HOIDKE VÄIKELAPSED EEMAL.

ENNE SEADME KASUTAMIST LUGEGE KASUTUSJUHEND LÄBI.

#### OLULINE

Lugege alljärgnevat juhised hoolikalt läbi ja veenduge, et teie grillahi on õigesti paigutatud, kokku pandud ja hooldatud. Nende

juhiste eiramine võib põhjustada raskeid kehavigastusi ja/või varakahju.

Kui koostamise või töötamise suhtes on küsimusi, pidage nõu oma edasimüüjaga.

Paigutage seade ja balloon kasutamise ajaks horisontaalsele pinnale.

Ärge kunagi süüdake seadet sel ajal, kui kate on suletud asendis.

Ärge mingil juhul püüdke külgpõletit süüdata või kasutada suletud kaanega, sest see võib tingida ohtliku olukorra või seadet vigastada.

Kasutage grillahjus ainult tootja poolt heakskiidetud madalrõhu reguleerimiseadet ja gaasivoolikut!

Kui neid osasid peab vahetama, võtke ühendust klienditeeniduse või edasimüüjaga.

Mitte heakskiidetud osade kasutamine võib tekitada ohuolukorra ja ohtliku keskkonna.

**MÄRKUS KASUTAJALE.** Hoidke juhend alles edasiseks kasutuseks.

#### Ohutusjuhised

Tehke lekkek kontroll kõikidele ühendustele pärast igat täitmist või esimest kasutuskorda üle pika aja.

Ärge kasutage mitte kunagi gaasiballooni, mille kere, ventiil, kaitsevõru või alus on kahjustatud.

Ärge hoidke varuballooni seadme all grillahju kasutamise ajal.

Alkoholi või ravimite tarbimine võib mõjutada kasutaja võimet seadet õigesti kokku panna või seda turvaliselt kasutada.

Ärge kasutage mitte kunagi selles seadmes puusütt, süütevedelikku, laavakive, bensiini, petrooleumi või alkoholi.

Ärge hoidke ega kasutage bensiini või muid kergesti süttivaid vedelikke või gaase seadmele lähemal kui 7,6 m.

Minimaalne kaugus seadme külgedel ja taga olevatest tuleohtlikest pindadest: 1 m. Ärge kasutage seadet kergesti süttiva pinna all.

Grillahju tohib kasutada ainult siis, kui see on täielikult kokku pandud ning kõik selle osad on oma kohal ja kindlalt kinnitatud.

Grillahju tuleb regulaarselt puhastada ja kontrollida; puhastage ja kontrollige voolikut enne seadme igat kasutuskorda. Kui voolik on kas kulunud, vigastatud või esineb lekkeid, siis tuleb voolik enne grillahju kasutamist välja vahetada.

Kasutage ainult tootja poolt heakskiidetud osi. Teiste, kui tootja poolt heakskiidetud osade, kasutamine on ohtlik. See võib ka seadme garantii kehtetuks muuta.

Grillimise ajal peavad tulekustutusvahendid käepärast olema.

Ärge püüdke põlevat õli või rasva veega kustutada. Kasutage tüübiga keemilist pulberkustutit või lämmatage tuli liiva või kustutustekiga.

Kasutage seadet ainult stabiilsel pinnal; ärge kasutage seda paadis ega sõidukis (nt haagiselamus).

Ärge jätke põlevat grillahju järelevalveta ning hoidke kindlasti lapsed ja loomad sellest alati eemal.

Ärge liigutage grillahju kasutamise ajal.

Tõstke grillikaant alati ettevaatlikult ja aeglaselt, sest selle alla kogunenud kuumus ja aur võivad raskeid põletusi tekitada.

Paigutage gaasivoolikud nii, et need jääksid kuumadest pindadest ja tilkuvast kuumast rasvast võimalikult kaugel.

Hoidke kõik elektrijuhtmed kuumast grillahjust eemal.

Kui olete grillahju kasutamise lõpetanud, siis sulgege gaasi juurdevool.

Ärge mitte kunagi katke korruga kogu küpsetuspinda.

Ärge mitte kunagi toppige kinni ballooniosa õhuavasid.

Kuumade osade käsitlemisel tuleb kanda kaitsekindaid.

#### Voolik ja rõhuregulaator

Ei kuulu komplekti. Kasutage ainult vedelgaasi kasutamiseks mõeldud voolikut ja rõhuregulaatorit, mis vastavad eelpool maini-



tud rõhuväärtusele. Rõhuregulaatori eeldatav tööiga on 10 aastat. Soovitav on regulaator tootmise kuupäevast arvestades 10 aasta pärast vahetada.

Vale tüüpi rõhuregulaatori või vooliku kasutamine on ebatavaline. Kontrollige alati enne grillahju kasutamist üle, et teil on õiget tüüpi voolik ja rõhuregulaator.

Kasutata voolik peab vastama kasutuskoha asukohariigi asjassepuutuvale standardile. Voolik tohib olla pikkusega maksimaalselt 1,2 meetrit ja sisemine läbimõõt 10 mm. Kulunud või vigastatud voolik tuleb asendada. Veenduge, et voolik ei oleks ummistunud, keerdus ega puutu ühegi grillahju osa/pinna vastu, välja arvatud vooliku ühenduskoht.

### GAASIBALLOON

Gaasiballooni ei tohi lasta maha kukkuda ega hooletult käsitseda! Kui seade ei ole kasutuses, tuleb gaasiballoon lahti ühendada.

Pärast gaasiballooni lahtiühendamist seadmelt pange kaitseballoonile tagasi.

Gaasiballoone tuleb hoida õues, püstasendis ja lastele kättesaamatus kohas. Gaasiballooni ei tohi hoida kohas, kus temperatuur võib ületada +50 °C. Ärge hoidke gaasiballooni lahtise leegi, gaasisütaja ja muude süüteallikate lähedal.

### ÄRGE SUITSETAGE VEDELGAASIBALLOONI LÄHEDAL.

Grillahi on ette nähtud kasutamiseks õues, eemal kõikidest kergsüttivatest materjalidest. Tähtis on jälgida, et kasutuskohal ei ole õhu liikumist takistavaid esemeid ja grillahju külgedel ja taga on vähemalt 1 m vaba ruumi. Veenduge, et seadme tuulutusavad ei oleks ummistunud. Grillahju tohib kasutada ainult horisontaalsel, stabiilsel pinnal. Seadet tuleb kaitsta otsese tuuletõmbe eest ja see tuleb paigutada kohta, kus see on kaitstud igasuguse pealangeva vee (nt vihm) eest.

Grillahju mis tahes osade konstruktsiooni ei tohi muuta. Grillahju võib hooldada ja parandada ainult gaasifirma ohtusspetsialist.

### GAASIBALLOONI ÜHENDAMINE GRILLAHJUGA

Enne ühendamist veenduge, et gaasiballoonile, rõhuregulaatorile, põletile ja põleti düüsidele ei ole kogunenud prahti. Ämblikud ja putukad võivad teha pesa põleti lähedale või sisse. Ummistunud põleti võib põhjustada tulekahju seadme all.

Puhastage põleti avad tugevatoimelise torupuhastiga.

Ühendage voolik seadme külge mutrivõtit kasutades, et pingutada mutter ühenduskeermele. Kui voolik on vahetatud, tuleb see kinnitada grillahjule ja rõhuregulaatorile voolikuklambritega. Kui grillahi ei ole kasutusel, ühendage rõhuregulaator gaasiballoonilt vastavalt juhistele lahti.

Grillahju tohib kasutada hästi ventileeritud kohas. Sel ajal, kui grillahju kasutate, ärge takistage põlemisõhu juurdepääsu. KASUTAGE GRILLAHJU AINULT ÕUES.

### ENNE KASUTAMIST KONTROLLIGE, ET VOOLIK EGA LÜHENDUSKOHAD EI LEIKS.

Ärge otsige lekkekohti lahtise leegi abil, vaid kasutage selleks seebivett.

### LEKETE KONTROLLIMINE

Valmistage 6–9 detsiliitrit lekke tuvastamise lahust, segades ühe osa vedelat pesuvahendit kolme osa veega.

Veenduge, et reguleerimisventiil on asendis OFF (väljas).

Ühendage rõhuregulaator gaasiballoonile ja ON/OFF-ventiil põletile. Veenduge, et ühendused on korralikult kinnitatud ja keerake gaas peale (ON).

Kandke seebilahus pintsliga voolikule ja kõikidele ühendustele. Kui ilmuvad mullid, siis on seadmelt leke, mis tuleb enne kasutamist kõrvaldada.

Pärast rikke kõrvaldamist tehke test uuesti.

Pärast testimist keerake gaas kinni (OFF).

Kui olete tuvastanud lekke, mida ei saa parandada, ärge püüdke

leket ise sulgeda vaid pöörduge oma gaasimüüja poole.

### GRILLAHJU SÜÜTAMINE

#### Esmakordne kasutamine

Enne esimest grillimist laske grillahjul töötada umbes 15 minutit kinnise kaanega ja kõrge gaasivooluga asendis (🔥). Sellega toimub siseosade kuumpuhastus.

Puhastage grillahi pärast iga kasutuskorda. ÄRGE KASUTAGE abrasiivseid või kergsüttivaid puhastus-vahendeid, sest need vigastavad toote osi ja võivad tekitada tulekahju. Puhastage seebiveega.

HOIATUS. Ligipääsetavad osad võivad olla väga kuumad. Hoidke väikelapsed kuumast seadmest kogu aeg eemal, isegi maha-jahtumise ajal! Kuumade osade puudutamisel on soovitatav kasutada kaitsekindaid (nt pajakindaid).

#### Peapõleti süütamisjuhised

1. Enne põletite süütamist avage grilli kaas.
2. Keerake kõik regulaatorinupud päripäeva asendisse OFF ("•").
3. Ühendage rõhuregulaator gaasiballooniga. Avage gaasi juurdevool (ON) rõhuregulaatorilt. Veenduge seebivee abil, et gaasiballooni ja rõhuregulaatori vahel pole leket.
4. Vajutage ja keerake juhtnuppu vastupäeva asendisse 🔥 ja seejärel vajutage süütenuppu 4-5 korda, et põleti süüdata. Kontrollige, kas põleti on süttinud. Kui põleti pole süttinud, korrake protsessi.
5. Kui põleti ikka ei sütti, keerake reguleerimisnupp asendisse OFF ("•"), oodake umbes viis minutit ja korrake vastavalt punktile 4.
6. Reguleerige soovitud põlemistemperatuuri, keerates reguleerimisnupud asendite 🔥 ja 🔥 vahel.
7. Süüdake teised põletid, vajutades vastav reguleerimisnupu alla ja keerates vastupäeva täisvõimsusele (🔥). Põletitevaheline süütekanal süütab põletid. Süüdake põletid üksteise järel.
8. Kui põleti ei sütti, süüdake grilli tuletiku abil grilli küljel oleva süüteava kaudu.
9. Grilli kustutamiseks sulgege gaasiballooni kraan või rõhuregulaatori ventiil ning keerake seejärel grilli reguleerimisnupud asendisse OFF ("•").

Hoiatus: Kui põleti ei sütti, keerake reguleerimisnupp kinni (päripäeva) ja sulgege ka gaasiballooni kraan. Oodake viis minutit, enne kui proovite grilli uuesti vastavalt juhistele süüdata.

### GRILLI PUHASTAMINE JA HOIDMINE

Grilli kasutamisega pikeneb märkimisväärselt, kui hoolitsete selle puhtuse ja korrapärase hoolduse eest. Kui grill ei kuumene piisavalt või toit kleepub kergesti grilliplaadi külge, ei ole grilli järelikult nõuetekohaselt puhastatud või hooldatud. Toimige pärast iga kasutuskorda järgmiselt.

#### Grillrestid ja -plaadid

Kui grillrestid või -plaadid külge on jäänud toitu või marinaade, toimige järgmiselt:

1. Veenduge, et grill oleks välja lülitatud.
2. Eemaldage toit ja rasv nt köögipaberi abil.
3. Süüdake grill juhiste järgi ja seadke põletid 🔥-võimsusele.
4. Sulgege kaas ja laske grillil 5–10 minutit kuumeneda.
5. Kustutage grill ja avage kaas.
6. Laske grillil umbes 10 minutit jahtuda.
7. Eemaldage kõrbenud toit ja mustus grilli jaoks ette nähtud puhastusharjaga (A).
8. Õlitage puhastatud grillireste ja -plaate toiduõliga, kasutades nt köögipaberit või grillpintslit.

Ärge kasutage keevitustöödel kasutamiseks mõeldud terasharja, kuna see võib grilli pinnad rikkuda. Sellise terasharja tekitatud

kahju ei kuulu garantii alla.

### Rasvapann ja -kauss

Enamike rasvapõlengute põhjus on määrdunud rasvapann. Kui näete rasvapannil või -kaussis toidupalu või marinaadi, puhastage see kohe järgmiselt. Rasvapannile ei tohi jääda rasvaloike.

1. Veenduge, et grill oleks välja lülitatud.
2. Eemaldage rasvapann/-kauss grilli küljest.
3. Eemaldage toit ja rasv grilli puhastusharja kaabitsa või plastkaabitsa abil.
4. Peske rasvapanni/-kaussi õrnatoimelise nõudepesuainega.
5. Kuivatage puhas rasvapann/-kauss ja pange grilli külge tagasi.

Puhastamine on hõlpsam, kui katate rasvapanni fooliumiga, mis kogub liigse toidu ja rasva kokku. Puhastamiseks on vaid vaja määrdunud foolium ära visata.

### Põletid

Põletid on grilli toimimise ja kuumenemise seisukohalt kõige tähtsamad, nii et veenduge regulaarselt nende puhtuses ja korrasolekus. Põletid tuleb eemaldada ja üle vaadata vähemalt kaks korda aastas, eelkõige kevadel pärast talvist seismist või muud pikka kasutuspausi. Põletite väikesed avad meelitavad putukaid ja ämblikuid neisse pesi ehitama. Sellised ummistused tekitavad ebahätlase ja -puhta leegi. Ummistused võivad panna leegi põlevam väljaspool gaasivoolikut, mis võib grilli tugevalt kahjustada. Puhastage põletid järgmiselt:

1. Veenduge, et grill oleks välja lülitatud.
2. Eemaldage grillirestid ja -plaadid ning soojaplaadid.
3. Eemaldage põleti, avades selle kinnituskruvi. Kinnituskruvi asub harilikult põleti tagaotsas.
4. Paljudel grillidel eeldab põletite eemaldamine grilli tagapaneeli eemaldamist.
5. Osa grille on hõlbus puhastada ka siis, kui põletid on oma kohal. Kõige tähtsam on, et te pääseksite kõigile väikestele gaasiavadele ligi.
6. Kasutage põleti pinna puhastamiseks grilli messingist puhastusharja.
7. Veenduge, et põleti avad oleksid avatud ja puhtad. Võite kasutada nt peenikest raudtraati.
8. Kui põleti on kahjustatud ja/või tugevalt roostetanud, vahetage see välja.
9. Veenduge ühtlasi, et ventiili otsak oleks puhas ja terve.
10. Pange puhastatud põletid tagasi.

### Soojaplaadid

Soojaplaadid levitavad sooja ühtlaselt grillimisalale. Soojaplaadide pinnale koguneb toidujääke ja marinaade. Määrdunud soojaplaadid vähendavad grilli võimsust. Puhastage soojaplaadid järgmiselt:

1. Veenduge, et grill oleks välja lülitatud.
2. Eemaldage soojaplaadid grillilt.
3. Kraapige soojaplaadilt liigne toit puhastusharja kaabitsa või plastkaabitsa abil maha.
4. Lõpetuseks harjake messingist puhastusharjaga.
5. Soovi korral võite pesta soojaplaate kraanikaussis õrnatoimelise nõudepesuainega.
6. Kuivatage puhtad soojaplaadid ja pange grilli külge tagasi.

Ärge peske soojaplaate nõudepesumasinas.

### Muud grilli osad

Grillil on lisaks eelmainitule palju muid terasosi, mida tuleb korrapäraselt puhastada. Järgige siinseid üldisi juhiseid:

1. Puhastage grilli terasosad Mustangi grilli puhastusaine, Mustangi rösteri puhastusaine või õrnatoimelise nõudepesuaine ja lapiga.
2. Kuivatage puhastatud osad hoolikalt.

3. Juhtpaneelid ja hoiatussiltide pindu ei tohi puhastada pesuainega, sest need võivad tekstid ja muud ohutusmärgised lahti leotada.

4. Puhastage grilli kõiki pealispindu vähemalt kolm korda aastas, et mustus ei saaks sisse sööbida.

5. Katsetage alati uue puhastusaine sobivust varjatud kohal.

Kloor ja sool võivad panna grilli roostetama. Kui kasutate grilli mere või ujumisbasseini vahetus läheduses, peate seda iga nädal puhastama.

### Puitosade puhastamine

Kui grillil on puitosi, tuleb neid puhastada ja hooldada järgmise juhise kohaselt.

1. Pühkige kõik puitosi korrapäraselt lahjas seebivees immutatud riidelapiga puhtaks.
2. Kuivatage puhastatud pinnad hoolikalt.
3. Immutage puitosi vähemalt kaks korda aastas vabalt saadaoleva õuemööbli jaoks ette nähtud puiduõliga. See väldib puidu liigset kuivamist ja lõhenemist.
4. Enne esmakordset immutamist katsetage puiduõli või muu säilitusaine sobivust väikesel, vähenähtaval pinnal. Järgige puitosade immutamisel alati kaasasolevaid tootja juhiseid.

### Säilitamine

Kui teete grillimises pikema pausi või soovite grilli nt talveperioodiks hoiule panna, järgige neid juhiseid. Õigesti hoitud grilli kasutusiga pikeneb ja grill püsib aastast aastasse töökorras. Grilli hoiulepanekul toimige järgmiselt:

1. Puhastage grill täielikult kasutusjuhendi juhiste järgi.
2. Süüdake grill ja laske sel umbes 15 minutit kuumeneda, kuni kõik terasosad on kuivanud.
3. Laske grillil maha jahtuda.
4. Veenduge, et kõik grillirestid ja -plaadid oleksid õlitatud.
5. Kui hoiate grilli õues, eemaldage selle põletid, restid, plaadid, soojendusrest ja soojaplaadid. Neid tuleb säilitada kuivas ja soojas ruumis. Soovitame mähkida need nt ajalehe sisse, et pindu mitte kriimustada.
6. Eemaldage madalrõhuregulaator gaasiballooni küljest.
7. Säilitage gaasiballooni alati õues ja veenduge, et see ei puutuks kokku kuumuse ega päikesevalgusega.
8. Õues säilitamise korral tasub hankida kvaliteetne kaitsekate, mis katab grilli maani. Veenduge, et õhk saaks ka katte all ringi käia.

Ärge säilitage grilli sellises kohas, kus katuselt langev lumi kukuks grilli peale. Lume ja jää tekitatud kahju ei kuulu garantii alla.

### TEENINDUS

Kord aastas tuleb gaasigrillahju hooldada lasta. Kontrolli hooldusteeninduse telefoninumbrit internetiaadressilt [mustang-grill.com](http://mustang-grill.com).

### GARANTII

Kõik Mustangi tooted on valmistatud hoolikalt ja kvaliteetselt ning enne tehastest väljumist testitud. Grillile ja selle osadele kehtib 2-aastane garantii alates toote ostupäevast. Garantii puudutab tootmis- ja materjalivigu.

Grilli osade kulumine, roostetamine ja roostetamise tagajärjel tekkinud defektid garantii alla ei kuulu. Näiteks on keraamiliste pindade lõhenemine, teraspindade värvimuutused ja roosteplekkide ilmumine aja jooksul ja toote kasutamisel tavapärased nähtused, mis ei takista grilli kasutamist. Garantii ei laiene ka sellistele kasutamise käigus kuluvatele ja roostetavatele grilli osadele nagu malmist ja roostevabast terasest valmistatud torupõletid, soojusjaotusplaadid, grillirestid ja -plaadid, soojendusrestid. Ise kokkupandavate grillide puhul paigaldab ja vahetab grilli osad alati klient ise vastavalt grilli juhendile. Juhendi mittejärgimisel kaotab



garantii kehtivuse. Tutvuge alati põhjalikult kasutusjuhendiga ja täitke selles sisalduvaid tingimusi. Garantii ei kata defekte või puudusi, mille on põhjustanud grilli kasutamine selleks kasutusjuhendis mitte ettenähtud otstarbel või hooldusnõuete täitmata jätmine.

Garantii ei laiene ka olukordadele, kus toodet kasutatakse komertslikul tootmis-, müügi- või rendieesmärgil.

Kui toote või selle osade juures ilmnevad garantiiperioodi jooksul puudused, tuleb pöörduda toote maaletooja või [www.mustang-grill.com](http://www.mustang-grill.com) kaudu Mustangi tugiteenuste poole. Enne garantiikirja esitamist lugege veelkord põhjalikult läbi kasutusjuhend ning veenduge, et olete järginud selles sisalduvaid tingimusi. Kõikide garantiiasjadega tegeleb maaletooja. Defektse või puuduoleva osa asemele saadetakse uus osa. Defektse või puuduoleva osa paigaldamise eest vastutab klient.

Garantii kehtivuse eelduseks on ostukviitungi või selle koopia ettenäitamine. Ostukviitung peab sisaldama müüja nime, grilli marki ja mudeli numbrit ning ostukuupäeva. Garantiikiri peab sisaldama järgmisi andmeid: grilli mark ja mudeli number, reklamatsiooni põhjus, defektse osa osanumber vastavalt osade loetelule, ostukviitungi koopia või müüja kinnitus, ostja nimi, telefoninumber, täpne aadress (tänav, maja/korteri nr, postii indeks, linn/asula/küla).

ET

Apsveicam ar Mustang izstrādājuma izvēli! Mustang grilēšanas aparokojuma līnija ir izstrādāta kvalitatīva ēdiena gatavošanai. Tajā ietilpst plašs grilēšanas un ēdiena gatavošanas iekārtu un piederumu klāsts. Sikāku informāciju par mūsu ražojumu sortimentu meklējiet [www.mustang-grill.com](http://www.mustang-grill.com) vai jautājiet tuvākajam licencētajam Mustang mazumtirgotājam!

Mēs nepārtraukti pilnveidojam Mustang līnijas izstrādājumus un citas piedāvājumā esošās preces. Lietotāju atsauksmēm ir svarīga loma ražojumu pilnveidē un kvalitātes nodrošināšanā. Mēs vienmēr priecājamies saņemt atsauksmes par mūsu ražojumiem – rakstiet uz e-pasta adresi [mustang@mustang-grill.com](mailto:mustang@mustang-grill.com).

Šis izstrādājums ir paredzēts ērtai un vieglai lietošanai. Lūdzam uzmanīgi izlasīt lietošanas instrukciju, lai varētu izmantot visas jaunā grila priekšrocības. Rūpīga un regulāra tīrīšana un apkope pagarinās grila lietošanas ilgumu un uzlabos drošību. Mustang izstrādājumu līnijā atradīsiet arī piemērotus grila tīrīšanas un kopšanas līdzekļus un piederumus.

Plašāka informācija pieejama [www.mustang-grill.com](http://www.mustang-grill.com).  
Kontaktinformācija par Mustang apkopes pakalpojumiem pieejama [www.mustang-grill.com](http://www.mustang-grill.com).

### BĪSTAMI!

Ja sajūtat gāzes smaku:

1. Pārtrauciet gāzes padevi ierīcei.
2. Nodzēsiet atklātas liesmas un nelietojiet elektroierīces.
3. Atveriet grila vāku un nodrošiniet apkārtņē gaisa apmaiņu.
4. Pārbaudiet gāzes savienojumu hermētiskumu ar ziepjūdeni.
5. Ja joprojām ir jūtama gāzes smaka, nekavējoties sazinieties ar gāzes piegādātāju vai ugunsdzēsības dienestu.

### NB!

Šo norādījumu neievērošanas gadījumā var izcelties bīstams ugunsgrēks vai notikt sprādziens. Lietotājs ir atbildīgs par grila pareizu montāžu uzstādīšanu un apkopi. Šajā instrukcijā minēto norādījumu neievērošana var novest pie smagām traumām un/vai īpašuma bojājumiem. Jebkāda ierīces pārveidošana vai nepareiza lietošana un norādījumu neievērošana var būt bīstama.

### BRĪDINĀJUMS!

Ierīces virsmas var spēcīgi sakarst. Neļaujiet maziem bērniem atstāties ierīces tuvumā. Raugieties, lai lietošanas laikā ierīces tuvumā neatrastos uzliesmojoši materiāli. Saglabājiet šo instrukciju turpmākai atsaucei.

### Tehniskā informācija

IERĪCES KODS:	G2082 (640286)
KOPĒJĀ SILTUMA IEVADE (VISAS GĀZES KATEGORIJAS):	5,5 kW (400 g/h)
IERĪCES KLASE:	I3B/P(30)
GĀZES VEIDI:	Šķidrie gāzu maisījumi
GĀZES SPIEDIENS:	30 mbar
SPRAUSLAS LIELUMS:	Galvenie degļi: 0,84 mm

LIETOŠANAI ĀRPUS TELPĀM LABI VENTILĒTĀS VIETĀS  
BRĪDINĀJUMS! IERĪCES VIRSMAS VAR SPĒCĪGI SAKARST. NEĻAUJIET MAZIEM BĒRNIEM ATRASTIES IERĪCES TUVUMĀ.  
PIRMS GRILA LIETOŠANAS UZMANĪGI IZLASIET LIETOŠANAS INSTRUKCIJU.

### NB!

Uzmanīgi izlasiet turpmāk minētos norādījumus un nodrošiniet pareizu grila montāžu un uzstādīšanu un pienācīgu apkopi. Norādījumu neievērošana var novest pie smagām traumām un/vai īpašuma bojājumiem.

Ja rodas ar grila montāžu vai lietošanu saistīti jautājumi, konsultējieties ar mazumtirgotāju.

Lietojot ierīci, raugieties, lai grils un gāzes balons atrastos uz gludas, līdzenas virsmas.

Neaizdedziniet grilu, ja vāks ir aizvērts.

Nemēģiniet aizdedzināt vai izmantot sānu degli, ja vāks ir aizvērts, jo var rasties bīstama situācija un ierīce var tikt sabojāta.

Zema spiediena regulatora un gāzes šļūtenes tipam jābūt apstiprinātam izmantošanas valstī.

Ja šīs detaļas ir jānomaina, sazinieties ar klientu servisu vai mazumtirgotāju.

Neapstiprinātu grila detaļu izmantošana var radīt bīstamu situāciju un nedrošus lietošanas apstākļus.

**PATĒRĒTĀJU IEVĒRĪBA!** Saglabājiet instrukciju turpmākai atsaucei.

### Drošības norādījumi

Pēc gāzes balonu atkārtotas uzpildes un pēc ilgāka lietošanas pārtraukuma vienmēr veiciet visu savienojumu noplūdes pārbaudi saskaņā ar instrukciju.

Nelietojiet sašķidrinātās gāzes balonu, ja ir bojāts tā korpuss, ventīlis, ventiļa aizsargs vai pamatne.

Ierīces lietošanas laikā neturiet zem grila sašķidrinātās gāzes balonus.

Alkohola vai recepšu/bezrecepšu medikamentu lietošana var negatīvi ietekmēt spēju pareizi samontēt un droši lietot ierīci.

Šajā grilā nedrīkst izmantot kokogles, aizdedzināšanas šķidrums, lavas akmeņus, benzīnu, petroleju vai spirtu.

Neglabājiet un nelietojiet benzīnu un citus uzliesmojošus šķidrums un gāzes 7,6 metru attālumā no šīs ierīces. Minimālais drošības attālums no ierīces līdz degtspējīgām konstrukcijām sānos un aizmugurē ir 1 metrs. Nelietojiet ierīci zem degtspējīgām virs grila esošām virsmām.

Nelietojiet grilu, iekams tas nav pilnīgi samontēts un visas detaļas droši nostiprinātas un pievilktas.

Regulāri kārtīgi notīriet un pārbaudiet grilu. Pirms ierīces lietošanas katru reizi notīriet un pārbaudiet gāzes šļūteni. Ja pamanāt nobrāzumus, nodilumu, plaisas vai sūci, šļūtene pirms ierīces lietošanas jānomaina.

Izmantojiet tikai ražotāja apstiprinātas detaļas. Neapstiprinātu detaļu izmantošana ir bīstama. Tas turklāt var anulēt ierīces garantiju. Ēdiena gatavošanas laikā tuvumā jābūt ugunsdzēsības līdzekļiem. Ja aizdegas eļļa/tauki, nemēģiniet dzēst liesmas ar ūdeni. Izmantojiet ķīmisku ugunsdzēsības līdzekli vai noslēpējiet liesmas ar zemi/smiltīm vai ugunsdzēsības segu.

Lietojiet ierīci tikai uz stabilām virsmām, neuzstādi un nelietojiet grilu laivās vai atpūtas transportlīdzekļos.

Neatstājiet ieslēgtu grilu bez uzraudzības. Neļaujiet bērniem un dzīvniekiem atrasties grila tuvumā.

Lietošanas laikā nepārvietojiet ierīci.

Grila vāku vienmēr atveriet uzmanīgi un lēni, jo no grila var izplūst karsts gaiss un tvaiki, kas var radīt smagus apdegumus.

Gāzes šļūtenes novietojiet pēc iespējas tālāk no karstām virsmām un pilošiem karstiem taukiem.

Raugieties, lai karsta grila tuvumā nebūtu elektrisko vadu.

Pēc lietošanas aizveriet gāzes balona ventīli.

Nepārklājiet visu ēdiena gatavošanas virsmu.

Nenosprostojiet grila korpusā esošās ventilācijas atveres.

Pieskaroties karstajām virsmām, valkājiet aizsargcimdus.

### Šļūtene un spiediena regulators

Šīs detaļas nav iekļautas grila piegādes komplektā. Izmantojiet tikai šļūtenes un regulatorus, kas paredzēti sašķidrinātai naftas gāzei ar iepriekš minēto spiedienu. Aprēķinātais regulatora ekspluatācijas ilgums ir 10 gadi. Nomainiet regulatoru vēlākais 10 gadus no izgatavošanas dienas.

Neatbilstošas šļūtenes un regulatora lietošana ir nedroša, tāpēc pirms grila lietošanas vienmēr pārbaudiet, vai šļūtene un regula-

tors ir piemēroti jūsu ierīcei.

Šļūtenei ir jāatbilst attiecīgajam izmantošanas valsts standartam. Šļūtenei jābūt (maksimāli) 1,2 metrus garai un ar 10 mm iekšējo diametru. Nodilusi vai bojāta šļūtene jānomaina. Raugieties, lai šļūtene nebūtu sagriezusi un aizsērējusi un nesaskartos ar citām grila daļām, izņemot savienojuma vietu.

### Sašķidrinātās gāzes balons

Sašķidrinātās gāzes balonu nedrīkst mest zemē un ar to jāapietas uzmanīgi! Ja grilu nelieto, balons no ierīces jāatvieno. Pēc balona atvienošanas no ierīces uzlieciet ventiļa aizsargvāciņu.

Sašķidrinātās gāzes balons jāglabā ārpus telpām vertikālā stāvoklī un bērniem nepieejamā vietā. Balonu nedrīkst glabāt vietās, kur temperatūra var pārsniegt 50°C. Neturiet balonu liesmu, aizdedzes liesmu un citu aizdegšanās avotu tuvumā.

### SAŠKIDRINĀTĀS GĀZES BALONA TUVUMĀ NESMĒKĒJIET.

Šis grils ir paredzēts lietošanai ārpus telpām, tā tuvumā nedrīkst atrasties uzliesmojoši materiāli. Svarīgi, lai virs grila neatrastos nekādi šķēršļi, un jāievēro minimālais drošības attālums no ierīces, kas sānos un aizmugurē ir 1 metrs. Jāraugās, lai netiktu nosprototas grila ventilācijas atveres. Grils jānovieto uz līdzenas, stabilas virsmas. Ierīce jāaizsargā no tiešas gaisa plūsmas un jānovieto vai jāaizsargā tā, lai tajā tieši nevarētu iekļūt pilošs ūdens (piemēram, lietus).

Nevienu šā grila detaļu nav atļauts pārveidot, remontu un apkopi drīkst veikt vienīgi reģistrēti gāzes servisa uzņēmumi.

### Sašķidrinātās gāzes balona pievienošana grilam

Pirms pievienošanas pārbaudiet, vai sašķidrinātās gāzes balona ventili, regulatorā, deglī un degļa atverēs nav iekērušies gruži un netīrumi. Deglī un gāzes ieplūdes kanālā var ieperināties zirnekļi un citi kukaiņi, aizsprostojot atveres. Aizsērējis deglis var izraisīt ugunsgrēku zem grila.

Iztīriet degļa atveres ar speciālu cauruļu tīrīšanas suku.

Pievienojiet ierīcei gāzes šļūteni, savienojuma nostiprināšanai izmantojot uzgriežņu atslēgu. Šļūtenes nomainas gadījumā tās savienojumi ar grilu un regulatoru jānostiprina ar šļūteņu skavām. Ja grilu neizmantojat, atvienojiet regulatoru no balona saskaņā ar instrukciju.

Grils jāuzstāda labi ventilētā vietā. Grila lietošanas laikā netraucējiet degšanai vajadzīgā gaisa pieplūdi deglim. LIETOJIET ŠO GRILU TIKAI ĀRA APSTĀKĻOS.

### PIRMS LIETOŠANAS VEICIET ŠĻŪTENES UN SAVIENOJUMU GĀZES NOPLŪDES PĀRBAUDI.

Neveiciet noplūdes pārbaudi ar atklātu liesmu, vienmēr izmantojiet ziepjūdeni.

### NOPLŪDES PĀRBAUDE

Sagatavojiet 6–9 dl šķīduma noplūdes konstatēšanai, sajaucot vienu daļu trauku mazgāšanas līdzekļa ar trīs daļām ūdens.

Pārliedzieties, ka regulētārvārsts ir stāvoklī OFF.

Savienojiet regulatoru ar sašķidrinātās gāzes balonu un ON/OFF (ieslēgšanas/izslēgšanas) vārstu ar degli. Pārliedzieties, ka savienojumi ir droši, un ATVERIET gāzes balona ventili.

Apstrādājiet šļūteni un visus savienojumus ar ziepjūdeni. Burbuļu parādīšanās liecina par gāzes noplūdi, kas pirms grila lietošanas jānovērš.

Pēc noplūdes likvidēšanas atkārtojiet pārbaudi.

Pēc pārbaudes AIZVERIET sašķidrinātās gāzes balona ventili.

Ja konstatējat noplūdi, bet nespējat to novērst, konsultējieties par noplūdes likvidēšanu ar gāzes piegādātāju.

### GRILA AIZDEDZINĀŠANA

#### Pirmā lietošanas reize

Pirmajā lietošanas reizē pirms ēdiena gatavošanas ieslēdziet grilu, aizveriet vāku un aptuveni 15 minūtes ļaujiet ar maksimālu (🔥

) jaudu darboties tukšgaitā. Pēc izkarsēšanas grils ir gatavs lietošanai.

Pēc katras lietošanas reizes notīriet grilu. NEIZMANTOJIET abrazīvu un uzliesmojošus tīrīšanas līdzekļus, jo tie bojā grila virsmas un var izraisīt ugunsgrēku. Tīriet grilu ar siltu ziepjūdeni.

BRĪDINĀJUMS! Ierīces virsmas var spēcīgi sakarst. Neļaujiet maizēm bērniem atrasties karsta grila tuvumā (arī laikā, kad ierīce atdziest!). Pieskaroties karstām virsmām, valkājiet aizsargcimdus (piemēram, plīts cimdus).

### Galvenā degļa aizdedzināšanas instrukcija

1. Pirms degļu aizdedzināšanas atveriet grila vāku.

2. Pagrieziet visus kloķus pulksteņrādītāja virzienā stāvoklī OFF (•).

3. Pievienojiet spiediena regulatoru sašķidrinātās gāzes balonam. Pagrieziet spiediena regulatora gāzes padeves ventili stāvoklī ON.

Ar ziepjūdeni pārbaudiet, vai gāzes balona un spiediena regulatora savienojuma vietā nav gāzes noplūdes.

4. Nospiediet un pagrieziet vadības pogu pretēji pulksteņrādītāja rādītāja virzienam uz pozīciju 🔥 un pēc tam 4-5 reizes nospiediet aizdedzes pogu, lai deglis iedegtos. Pārbaudiet, vai deglis ir aizdedzies. Ja deglis nav aizdedzies, mēģiniet vēlreiz.

5. Ja deglis joprojām neaizdegas, pagrieziet kloķi stāvoklī OFF (•), pagaidiet aptuveni 5 minūtes un mēģiniet vēlreiz, atkārtojot 4. soli.

6. Lai noregulētu temperatūru, iestatiet kloķi starp stāvokli 🔥 un 🔥.

7. Aizdedziniet pārējos degļus, piespiežot un turot piespiestu katru attiecīgo kloķi un pagriežot tos pretēji pulksteņrādītāja virzienam stāvoklī 🔥. Aizdedzes elements starp degļiem aizdedzinās degļus. Aizdedziniet degļus pēc kārtas.

8. Ja deglis neaizdegas, aizdedziniet grilu ar sērkokciņu pie aizdedzes atveres grila sānos.

9. Izslēdziet grilu, vispirms pagriežot gāzes balona vai spiediena regulatora ventili stāvoklī OFF un tad pagriežot grila kloķus stāvoklī OFF (•).

Brīdinājums! Ja deglis neaizdegas, pagrieziet kloķi pulksteņrādītāja virzienā stāvoklī OFF un aizveriet gāzes balona ventili. Pagaidiet aptuveni 5 minūtes, pirms saskaņā ar instrukciju atkārtoti mēģināt aizdedzināt grilu.

### GRILA TĪRĪŠANA UN UZGLABĀŠANA

Grila kalpošanas laiks tiks ievērojami pagarināts, ja regulāri rūpēsities par grila tīrīšanu un apkopi. Ja grils pietiekami neuzkarst vai ēdiens viegli pielip pie pannas, grils nav tīrīts vai uzturēts atbilstoši norādījumiem. Pēc katras lietošanas reizes veiciet šādas tīrīšanas darbības.

Grila restes un pannas

Ja ēdiens vai marināde ir pielipusi pie grilēšanas restēm/pannām, rīkojieties šādi:

1. Pārliedzieties, ka grils ir izslēgts.

2. No virsmām notīriet nokritušo ēdienu un taukus, piemēram, ar virtuves papīra dvieļi.

3. Aizdedziniet grilu, saskaņā ar norādījumiem un iestatiet degļus 🔥 pozīcijā.

4. Aizveriet vāku un ļaujiet grilam uzkarst 5 – 10 minūtes.

5. Izslēdziet grilu un atveriet vāku.

6. Ļaujiet grilam atdzist aptuveni 10 minūtes.

7. Notīriet piedegušo ēdienu un netīrumus ar grila tīrīšanas birsti (A).

8. Notīrītās grila restes un režģus ieeļļojiet ar pārtikas eļļu, piemēram, papildu izmantojot virtuves papīra dvieļi vai grilēšanas birsti.

Tīrīšanai neizmantojiet metināšanas tērauda birsti, jo tā var sabojāt grila virsmas. Garantija neattiecas uz bojājumiem, kas radušies šādas stieplu birstes izmantošanas dēļ.

## Tauku paplāte un trauks

Visbiežākais tauku aizdegšanās cēlonis ir netīra tauku paplāte. Ja uz tauku paplātes vai trauka ir redzami ēdiena gabaliņi vai marināde, tauku paplāte nekavējoties jātīra šādi: Trauku paplātē nedrīkst palikt tauku peļķes.

1. Pārlicinieties, ka grils ir izslēgts.
2. Izņemiet tauku paplāti / trauku no grila.
3. Noskrāpējiet nokritušo ēdienu un taukus, izmantojot grila tīrīšanas birstes skrāpja daļu vai plastmasas lāpstiņu.
4. Nomazgājiet tauku paplāti / trauku ar maigu trauku mazgāšanas līdzekli.
5. Izzāvējiet un ievietojiet iztīrīto tauku paplāti / trauku atpakaļ grilā.

Tīrīšanu var atvieglot, uzklājot foliju tauku paplātes virspusē, lai savāktu lieko ēdienu un taukus. Tīrīšanas laikā noņemiet tikai netīro foliju.

## Degļi

Degļi ir vissvarīgākie grila darbībai un sildīšanai, tāpēc regulāri jāpārbauda to tīrība un stāvoklis. Degļi jāizņem un jāpārbauda vismaz divas reizes gadā, jo īpaši pavasarī pēc ziemas uzglabāšanas vai pēc citiem ilgiem uzglabāšanas periodiem. Nelieli caurumi degļos piesaista kukaiņus un zirnekļus, kas tajos ierīko ligzdas. Šie aizsprostojumi izraisa nevienmērīgu un netīru liesmu. Aizsprostojumi var izraisīt liesmas aizdegšanos ārpus gāzes caurules, kas savukārt var nopietni sabojāt grilu. Degļu tīrīšana tiek veikta šādi:

1. Pārlicinieties, ka grils ir izslēgts.
2. Noņemiet grila restes / pannas un siltuma sadales plāksnes.
3. Noņemiet degļi no kurtuves, atskrūvējot stiprinājuma skrūvi. Stiprinājuma skrūve parasti atrodas degļu aizmugurē.
4. Dažos modeļos degļu noņemšanai ir nepieciešams noņemt grila aizmugurējās plāksnes.
5. Dažus grila modeļus ir viegli tīrīt pat tad, ja degļi atrodas savās vietās. Svarīgākais ir piekļūt visiem mazajiem gāzes caurumiem.
6. Degļu virsmu tīrīšanai izmantojiet misiņa grila tīrīšanas birsti.
7. Pārlicinieties, ka degļu caurumi ir atvērti un tīri. Varat izmantot arī plānu dzelzs stiepli.
8. Ja deglis ir bojāts un / vai stipri sarūsējis, nekavējoties nomainiet to.
9. Tajā pašā laikā pārbaudiet, vai vārsta sprausla ir tīra un neskarta.
10. Uzlieciet iztīrītos degļus atpakaļ vietā.

## Siltuma sadales plāksnes

Siltuma sadales plāksnes sadala siltumu vienmērīgi visā grila zonā. Uz karstuma sadales plāksņu virsmas uzkrājas arī ēdiena atliekas un marinādes. Netīras siltuma sadales plāksnes samazina grila efektivitāti. Notīriet siltuma sadales plāksnes šādi:

1. Pārlicinieties, ka grils ir izslēgts.
2. Noņemiet no grila siltuma sadales plāksnes.
3. Noskrāpējiet lieko ēdienu no siltuma sadales plāksņu virsmas ar tīrīšanas birstes skrāpja daļu vai plastmasas lāpstiņu.
4. Visbeidzot notīriet visus atlikušos netīrumus ar misiņa grila tīrīšanas birsti.
5. Varat arī mazgāt siltuma sadales plāksnes izlietnē ar maigu trauku mazgāšanas līdzekli, ja vēlaties.
6. Izzāvējiet un ievietojiet iztīrītās siltuma sadales plāksnes atpakaļ grilā.

Nemazgājiet siltuma sadales plāksnes trauku mazgājamajā mašīnā.

## Citas grila daļas

Papildus iepriekš minētajām daļām, grilam ir daudzas citas tērauda daļas, kas arī ir regulāri jātīra. Šīm detaļām var izmantot šādas vispārīgas vadlīnijas:

1. Grila tērauda daļas notīriet ar "Mustang" grila tīrīšanas līdzek-

li, "Mustang" nerūsējošā tērauda tīrīšanas līdzekli vai maigu trauku mazgāšanas līdzekli un tīrīšanas drānu.

2. Neaizmirstiet rūpīgi nosusināt notīrītās detaļas.
3. Vadības paneļa un brīdinājuma teksta virsmu tīrīšanai nelietojiet mazgāšanas līdzekļus, jo tie var izdzēst tekstus vai citus drošības marķējumus.
4. Vismaz trīs reizes gadā notīriet visas grila ārējās virsmas, lai novērstu netīrumu pielipšanu pie virsmām.
5. Vienmēr pārbaudiet jauna tīrīšanas līdzekļa piemērotību neuzkrītošā vietā.

Hlors un sāls var izraisīt grila rūšēšanu. Tātad, ja lietojat grilu jūras vai peldbaseina tiešā tuvumā, grils ir jātīra katru nedēļu.

## Koka daļu tīrīšana

Ja grilam ir koka daļas, tās ir jātīra un jāapkopj, kā norādīts tālāk.

1. Regulāri notīriet visas koka daļas, noslaukot tās ar mitru lupatīņu un maigu ziepju un ūdens maisījumu.
2. Rūpīgi nosusiniet notīrītās virsmas.
3. Vismaz divreiz gadā apstrādājiet koka daļas ar tirdzniecībā pieejamu bezkrāsainu koksnes eļļu, kas paredzēta āra mēbelēm. Tas novērsīs koka daļu izžūšanu un saplaisāšanu.
4. Pirms faktiskās apstrādes pārbaudiet koksnes eļļu un visus pārējos kondicionierus uz maza, nepamanāma laukuma, lai pārlicinātos par tās piemērotību. Apstrādājot koka daļas, vienmēr ievērojiet ražotāja norādes.

## Glabāšana

Skatiet šos norādījumus, ja Jūs ilgāku laiku nelietojat grilu vai vēlaties novietot grilu glabāšanai ziemas sezonai. Pareizi uzglabāts grila aprīkojums paildzinās Jūsu grila kalpošanas laiku un gadu no gada uzturēs to darba kārtībā. Uzglabājot grilu, ievērojiet šādus norādījumus:

1. Rūpīgi notīriet grilu, saskaņā ar lietošanas pamācībā sniegtajiem norādījumiem.
2. Iedeziniet grilu un ļaujiet tam uzsilt apmēram 15 minūtes, līdz visas tērauda daļas ir sausas.
3. Ļaujiet grilam atdzist.
4. Pārlicinieties, ka visas grilēšanas restes un pannas ir ieeļļotas.
5. Ja grils tiek uzglabāts ārā, noņemiet no grila degļus, režģus, restes, sildīšanas restes un siltuma sadales plāksnes. Šīs detaļas jāuzglabā sausā un siltā vietā. Lai izvairītos no virsmu saskrāpēšanas, šīs detaļas ir atsevišķi jāietin, piemēram, avīzē.
6. Atvienojiet zemspiediena regulatoru no gāzes balona.
7. Vienmēr uzglabājiet balonu ārpus telpām un pārlicinieties, ka tas nav pakļauts karstumam vai tiešiem saules stariem.
8. Ja grilu uzglabājat ārā, iegādājieties kvalitatīvu aizsargpārklājumu, kas to nosedz līdz pat apakšējai malai. Neaizmirstiet pārlicināties, lai gaiss arī zem pārsega varētu cirkulēt.

Neglabājiet grilu vietās, kur no jumta kūstošs sniegs var nokrist uz grila. Garantija neattiecas uz bojājumiem, kas radušies sniega un ledus dēļ.

## APKOPE

Reizi gadā jāveic gāzes grila apkope. Apkopes servisa tālruna numuru meklējiet tīmekļa vietnē [mustang-grill.com](http://mustang-grill.com).

## GARANTIJA

Visu Mustang izstrādājumu ražošanā ir ievērota īpaša rūpība, un, pirms tie atstāj rūpnīcu, tiem ir veikta kvalitātes pārbaude. Šim grilam un tā detaļām tiek dota 24 mēnešu garantija kopš iegādes datuma. Garantija attiecas uz materiālu un ražošanas defektiem.

Garantija nav attiecināma uz normālu nolietojumu un nodilumu, detaļu rūšēšanu vai koroziju. Piemēram, keramisko virsmu plaisāšana, tērauda virsmu krāsas izmaiņas un rūsas traipu parādīšanās

lietošanas procesā un laika gaitā ir normālas parādības un neietekmē grila izmantošanu. Tāpat garantija neattiecas uz detaļām, kuras lietošanas laikā ir pakļautas nolietojumam un nodilumam vai korozijai, piemēram, čuguna vai nerūsējošā tērauda degļi, karstuma deflektori, grila restes un pannas, kā arī režģu plaukti uzsildīšanai. Izmantojot grilus, ko var salikt paši lietotāji, klientiem detaļu montāža un nomaiņa vienmēr jāveic atbilstoši norādījumiem. Neievērojot šos norādījumus, garantija nav spēkā. Vienmēr uzmanīgi izlasiet un ievērojiet lietošanas instrukcijas. Garantija nesedz bojājumus vai defektus, kas rodas nepareizas lietošanas vai neveiktas apkopes rezultātā.

Tāpat garantija nav spēkā, ja izstrādājums tiek lietots komerciālai ražošanai, pārdošanai vai iznomāšanai.

Ja izstrādājumam vai kādai tā daļai garantijas laikā rodas bojājums, lūdzu, sazinieties ar importētāju vai Mustang atbalsta dienestu ar tīmekļa vietnes [www.mustang-grill.com](http://www.mustang-grill.com) starpniecību. Pirms garantijas prasības iesniegšanas uzmanīgi pārlasiet lietošanas instrukciju, lai pārliecinātos, ka ir ievēroti tajā sniegtie norādījumi. Visas garantijas prasības izskata importētājs. Bojāta vai iztrūkstoša detaļa tiek nomainīta pret jaunu. Par jaunās detaļas montāžu bojātās vai trūkstošās daļas vietā ir atbildīgs klients.

Garantija ir spēkā, tikai uzrādot pirkuma čeka kopiju. Pirkuma čekā jābūt norādītam pārdevēja nosaukumam, grila ražotājam un modelim, un iegādes datumam. Garantijas prasībā jābūt iekļautai šādai informācijai: grila ražotājs un modelis, sūdzības iemesls, bojātās detaļas numurs saskaņā ar detaļu sarakstu, pirkuma čeka kopija vai pārdevēja izsniegts pirkumu apliecināošs dokuments, pirkuma datums, klienta vārds, uzvārds, tālruna numurs, adrese ar ielas, pasta indeksa un apdzīvotās vietas norādi.





Sveikiname išsirinkus „Mustang“ gaminį! „Mustang“ kepsninių gaminių šeima sukurta geram maistui ruošti. Mūsų liniją sudaro įvairūs kepsninių ir kiti valgio gaminių gaminiai. Norėdami daugiau sužinoti apie mūsų gaminių asortimentą, eikite adresu [www.mustang-grill.com](http://www.mustang-grill.com) arba į artimiausią licencijuotą „Mustang“ mažmeninės prekybos vietą!

Nuolatos tobuliname „Mustang“ liniją ir kitus siūlomus gaminius. Kuriant gaminius svarbų vaidmenį vaidina naudotojų atsiliepimai, padedantys užtikrinti kokybę. Labai džiaugtumėmės, jei atsiliepiate apie mūsų gaminius pateiktumėte adresu [mustang@mustang-grill.com](mailto:mustang@mustang-grill.com).

Šis gaminy sukurta naudoti paprastai ir be rūpesčių. Prašome nuodugniai susipažinti su naudotojo instrukcija, kad galėtumėte kuo labiau išnaudoti kepsninės privalumus. Rūpestingai ir reguliariai valydami bei prižiūrėdami kepsninę prailginsite jos naudojimo trukmę ir padidinsite saugumą. „Mustang“ gaminių linijoje taip pat siūlomos tinkamos valymo priemonės ir priežiūrai skirti įrankiai.

Norėdami gauti daugiau informacijos eikite adresu: [www.mustang-grill.com](http://www.mustang-grill.com).

Kontaktinė informacija dėl „Mustang“ priežiūros paslaugų pateikta adresu [www.mustang-grill.com](http://www.mustang-grill.com).

#### PAVOJUS:

Jei užuodžiate dujas:

1. Nutraukite dujų tiekimą prietaisui.
2. Užgesinkite atvirą liepsną ir venkite naudoti bet kokius elektros prietaisus.
3. Atidarykite dangtį ir išvėdinkite vietą.
4. Patikrinkite dujų jungtis muilo tirpalu.
5. Jei kvapas išlieka, nedelsdami kreipkitės į dujų tiekėją arba gaisrininkus.

#### SVARBU:

Nepaisant šių instrukcijų gali kilti pavojingas gaisras ar sprogdimas. Naudotojas privalo užtikrinti, kad kepsninė tinkamai surinkta, sumontuota ir prižiūrima. Nepaisant šiame vadove pateiktų instrukcijų galima rimtai susižeisti ir (arba) sugadinti turtą. Bet kokie prietaiso pakeitimai, netinkamas jo naudojimas ar instrukcijų nepaisymas gali kelti pavojų.

#### ĮSPĖJIMAS:

Pasiekiamos dalys gali būti labai karštos. Neleiskite mažiems vaikams artintis. Naudojant šį prietaisą reikia laikyti atokiau nuo degių medžiagų.

Saugokite šią instrukciją, kad ateityje prireikus galėtumėte peržiūrėti.

#### Techninė informacija:

PRIETAISO KODAS:	G2082 (640286)
BENDROJI ŠILUMINĖ ĮVESTIS (VISŲ KATEGORIJŲ DUJOS):	5,5 kW (400 g/h)
PRIETAISO KLASĖ:	I3B/P(30)
DUJŲ TIPAS:	Suskystintų dujų mišiniai
DUJŲ SLĖGIS:	30 mbar
PURKŠTUKO DYDIS:	Pagrindiniai degikliai: 0,84 mm

SKIRTA NAUDOTI LAUKE, GERA VĒDINAMOSE VIETOSE  
 ĮSPĖJIMAS: PASIEKIAMOS DALYS GALI BŪTI LABAI KARŠTOS. NELEISKITE MAŽIEMS VAIKAMS ARTINTIS.  
 PRIEŠ NAUDODAMI KEPSNINĖ PERSKAITYKITE INSTRUKCIJAS.

#### SVARBU:

Atidžiai perskaitykite instrukcijas ir užtikrinkite, kad kepsninė būtų tinkamai sumontuota, surinkta ir prižiūrima. Nesilaikant šių instrukcijų galima rimtai susižeisti ir (arba) sugadinti turtą.

Jei kiltų klausimų dėl kepsninės surinkimo ar naudojimo, kreipkitės į pardavėją.

Naudodami prietaisą pasirūpinkite, kad kepsninė ir dujų balionas stovėtų ant lygaus, horizontalaus paviršiaus.

Niekuomet neuždekite prietaiso, kai dangtis uždarytas.

Niekuomet nebandykite uždegti ar naudoti šoninio degiklio, kai dangtis uždarytas, nes gali susidaryti pavojingos sąlygos ir galite sugadinti kepsninę.

Mažo slėgio regulatorius ir dujų žarna turi būti šalyje patvirtinto naudoti tipo.

Jei reikia šias dalis pakeisti, kreipkitės į klientų aptarnavimo tarnybą arba pardavėją.

Naudodami kepsninėje nepatvirtintas dalis galite sukelti pavojingą situaciją ir sudaryti nesaugią naudojimo aplinką.

PASTABA VARTOTOJUI: pasilikite instrukcijas, jei prireiktų jas peržiūrėti vėliau.

#### Saugos instrukcijos

Kas kartą iš naujo pripildę baką arba pirmą kartą naudodami po ilgos pertraukos patikrinkite visų jungčių sandarumą pagal instrukcijas.

Niekuomet nenaudokite suskystintų dujų bako pažeistu korpusu, vožtuvu, kakleliu ar stovu.

Nelaikykite suskystintų dujų bako po kepsnine, kai ją naudojate.

Alkoholio ar receptinių ir nereceptinių vaistų naudojimas gali pabloginti gebėjimą tinkamai surinkti ar saugiai naudoti prietaisą.

Su šia kepsnine niekuomet nenaudokite anglies, uždegimo skysčio, benzino, žibalo ar spirito.

Nelaikykite benzino ar kitų degių skysčių ir garų arčiau nei per 7,6 m (25 pėdas) nuo šio prietaiso. Minimalus tarpas nuo prietaiso šonų ir galo iki degių konstrukcijų yra 1 m (3 pėdos). Nenaudokite prietaiso po degių paviršiumi.

Nenaudokite kepsninės, jei ji nėra iki galo surinkta, o visos jos dalys gerai pritvirtintos ir priveržtos.

Kepsninę reikia reguliariai kruopščiai nuvalyti ir apžiūrėti. Kiekvieną kartą prieš naudodami prietaisą nuvalykite ir apžiūrėkite dujų žarną. Jei ant žarnos matomi subraižymo, susidėvėjimo, įpjovimų ar nesandarumo požymiai, prieš naudojant prietaisą reikia žarną pakeisti.

Naudokite tik gamintojo patvirtintas dalis. Naudoti nepatvirtintas dalis pavojinga. Taip pat gali nustoti galioti garantija.

Gaminant maistą reikia netoliese laikyti ugnies gesinimo priemonės. Užsidegus aliejui ar riebalams nebandykite gesinti jų vandeni. Naudokite cheminį gesintuvą arba užslopinkite ugnį purvu, smėliu ar nedegiu audeklu.

Naudokite prietaisą tik ant tvirtos žemės, nemontuokite ir nenaudokite jo valtyse ar kemperiuose.

Nepalikite degančios kepsninės neprižiūrimos. Visuomet prižiūrėkite, kad vaikai ir naminiai gyvūnai nesiartintų prie kepsninės.

Naudodami prietaisą jo nejudinkite.

Visuomet atidarinkite kepsninės dangtį lėtai ir atsargiai, nes kepsninėje susikaupęs karštis ir garai gali jus smarkiai nudeginti.

Patraukite dujų žarnas kaip galima toliau nuo karštų paviršių ir varvančių karštų riebalų.

Laikykite visus elektros laidus atokiau nuo kepsninės.

Baigę naudoti išjunkite dujų baliono dujų tiekimą.

Niekuomet neuždenkite visos kepimo srities.

Niekuomet neuždenkite konteinerio ventilacijos angų.

Liesdami karštas dalis dėvėkite apsaugines pirštines.

#### Žarna ir regulatorius

Šios dalys prie kepsninės nepridedamos. Naudokite tik žarną ir regulatorius, patvirtintus naudoti su suskystintomis dujomis esant aukščiau nurodytam slėgiui. Numatyta regulatoriaus eksploatacijos trukmė yra 10 metų. Pakeiskite regulatorių per 10 metų nuo jo pagaminimo datos.

Naudoti netinkamą žarną ar regulatorių nesaugu, prieš naudoda-

mi kepsninę visuomet patikrinkite, ar šios dalys tinkamos. Naudojama žarna turi atitikti galiojančius šalies standartus. Žarnos ilgis turi būti ne daugiau nei 1,2 metro, vidinis skersmuo – 10 mm. Nusidėvėjusią ar pažeistą žarną reikia pakeisti. Užtikrinkite, kad žarna nebūtų sulenkta arba užsikimšusi ir kad neliestų jokios kepsninės dalies, išskyrus jungtį.

### Suskystintų dujų balionas

Negalima mėtyti dujų balionų ar elgtis su jais grubiai! Jei nenaudojate kepsninės, dujų balioną reikia atjungti. Atjungę balioną nuo prietaiso uždėkite apsauginį dangtelį.

Dujų balioną reikia laikyti stačią lauke, vaikams nepasiekiamoje vietoje. Niekomet negalima laikyti baliono aplinkoje, kurioje temperatūra gali pasiekti daugiau nei 50 °C. Nelaikykite baliono netoli liepsnos, degiklių ar kitų uždegimo šaltinių.

### NERŪKYKITE ARTI SUSKYSTINTŲ DUJŲ BALIONO

Kepsninė skirta naudoti lauke, atokiau nuo degių medžiagų. Svarbu, kad nebūtų kliūčių virš jos ir kad būtų 1 m laisvos vietos prietaiso šonuose ir gale. Svarbu, kad kepsninės ventiliacijos angos nebūtų uždengtos. Kepsninę reikia naudoti ant lygaus, stabilaus paviršiaus. Prietaisą reikia saugoti nuo tiesioginio oro srauto, jį reikia saugoti nuo vandens (pvz., lietaus) patekimo. Negalima keisti jokios šios kepsninės dalies, remontą ir techninę priežiūrą gali atlikti tik registruota dujinės įrangos priežiūros bendrovė.

### Suskystintų dujų baliono prijungimas prie kepsninės

Prieš prijungdami įsitinkite, ar dujų cilindro galvutėje, reguliatoriuje, degiklyje ar degiklio angose nėra šiukšlių ar purvo. Vorai ir vabzdžiai gali apsigyventi viduje ir užkimšti degiklį ar jo lizdą. Dėl užkimšto degiklio po degikliu gali kilti gaisras.

Išvalykite degiklio angas tvirtu vamzdžių šepetėliu.

Pritvirtinkite žarną prie prietaiso, veržliarakčiu priverždami ją prie jungties sriegio. Jei žarna pakeista, reikia pritvirtinti ją prie kepsninės ir reguliatoriaus žarnos laikikliais. Kai kepsninės nenaudojate, atjunkite nuo baliono reguliatorių, laikydamiesi instrukcijų.

Kepsninę reikia naudoti gerai vėdinamoje vietoje. Naudodami kepsninę neblokuokite degimui reikalingo oro srauto į degiklį.

NAUDOKITE ŠIĄ KEPSNINĘ TIK LAUKE.

### PRIEŠ NAUDODAMI PATIKRINKITE, AR NĖRA NESANDARUMO ŽARNOJE IR (ARBA) JUNGČIŲ SRIEGIUOSE.

Niekomet netikrinkite, ar nėra nesandarumo, naudodami atvirą liepsną, naudokite muilo tirpalą vandenyje.

### TIKRINIMAS, AR NĖRA NESANDARUMO

Paruoškite 6–9 d (2–3 skysčio uncijas) nesandarumo paieškos tirpalą, sumaišydami vieną dalį indų ploviklio ir 3 dalis vandens.

Įsitinkite, kad valdymo vožtuvas yra padėtyje „OFF“ (išjungta). Prijunkite reguliatorių prie suskystintų dujų baliono, o įjungimo / išjungimo vožtuvą – prie degiklio. Įsitinkite, kad sujungta gerai, tuomet pasukite vožtuvą į padėtį „ON“ (įjungta).

Sutepkite žarną ir visas jungtis muilo tirpalu. Jei pasirodo burbulų, yra nesandarumas, kurį reikia pašalinti prieš naudojant kepsninę. Pašalinę problemą patikrinkite pakartotinai.

Patikrinę pasukite suskystintų dujų baliono vožtuvą į padėtį „OFF“ (išjungta).

Jei aptinkate nesandarumą ir negalite jo pašalinti, kreipkitės į dujų tiekėją, kad jis pašalintų nesandarumą.

### KEPSNINĖS UŽDEGIMAS

#### Pirmasis naudojimas

Prieš pirmą kartą kepdami, 15 minučių kaitinkite kepsninę uždare dangtį ir atsukę maksimalų (🔥) dujų srautą. Tokiu būdu vidinės dalys bus „išvalytos karščiu“.

Kiekvieną kartą panaudoję kepsninę išvalykite. NENAUDOKITE

abrazyvinių arba degių valiklių, nes jie sugadins gaminio dalis ir gali sukelti gaisrą. Valykite kepsninę šiltu muilinu vandeniu.

ĮSPĖJIMAS: Pasiekiamos dalys gali būti labai karštos. Niekomet neleiskite vaikams artintis prie karštos kepsninės (net kai prietaisas vėsta)! Liečiant itin karštas dalis reikia naudoti apsaugines pirštines (pvz., orkaitės pirštines).

### Pagrindinio degiklio uždegimo instrukcija

1. Prieš uždegdami degiklius atidarykite kepsninės dangtį.

2. Pasukite visas rankenėles laikrodžio rodyklės kryptimi į padėtį „OFF“ (išjungta) (+).

3. Prijunkite slėgio reguliatorių prie suskystintų dujų baliono. Pasukite slėgio reguliatoriaus dujų tiekimo vožtuvą į padėtį „ON“ (įjungta). Muilinu vandeniu patikrinkite, ar nėra dujų pratekėjimo tarp suskystintų dujų baliono ir slėgio reguliatoriaus.

4. Paspauskite ir pasukite valdymo rankenėlę prieš laikrodžio rodyklę į padėtį 🔥, tada 4-5 kartus paspauskite uždegimo mygtuką, kad degiklis užsidegtų. Patikrinkite ar degiklis užsidegė. Jei degiklis neužsidegė, pakartokite procedūrą.

5. Jei degiklis vis vien neužsidegė, pasukite rankenėlę į padėtį „OFF“ (išjungta) (+), palaukite 5 minutes ir pakartokite 4 veiksmą.

6. Reguliokite temperatūrą, sukiodami rankenėlę tarp padėčių 🔥 ir 🔥.

7. Uždekite kitus degiklius, paspausdami ir laikydami paspaustą kiekvieną atitinkamą rankenėlę bei sukdamį ją prieš laikrodžio rodyklę iki padėties

„🔥“ (maks.). Uždegimo įtaisas tarp degiklių uždegs degiklius. Uždekite degiklius iš eilės.

8. Jei degiklis neužsidega, degtuku uždekite kepsninę pro uždegimo angą kepsninės šone.

9. Išjunkite kepsninę pasukdami suskystintų dujų baliono vožtuvą arba slėgio reguliatoriaus vožtuvą į padėtį „OFF“ (išjungta), po to pasukite į padėtį „OFF“ (išjungta) (+) kepsninės rankenėles.

Įspėjimas! Jei degiklis neužsidega, pasukite rankenėlę laikrodžio rodyklės kryptimi į padėtį „OFF“ (išjungta) ir užsukite suskystintų dujų vožtuvo cilindrą. Palaukite 5 minutes ir bandykite dar kartą uždegti kepsninę pagal instrukcijas.

### KEPSNINĖS IŠVALYMAS IR SANDĖLIAVIMAS

Kepsninės naudojimo trukmė bus akivaizdžiai ilgesnė, jeigu reguliariai ją valysite ir tinkamai prižiūresite. Jei kepsninė nepakankamai įkaista arba maistas lengvai prikimba prie grotelių, reiškia, kepsninė nebuvo valoma arba prižiūrima pagal instrukcijas. Po kiekvieno naudojimo atlikite šiuos valymo veiksmus.

Kepsninės ir kepimo grotelės

Jei ant kepsninės / kepimo grotelių liko prilipusio maisto arba marinato, elkites toliau aprašytu būdu.

1. Įsitinkite, kad kepsninė yra išjungta.

2. Maisto likučius ir riebalus nuo paviršių nuvalykite, pvz., popieriniu rankšluosčiu.

3. Užkurkite kepsninę pagal instrukcijas ir nustatykite degiklius 🔥 stiprumu.

4. Uždarykite dangtį ir palikite kepsninę kaisti 5-10 min.

5. Išjunkite kepsninę ir atidarykite dangtį.

6. Palaukite apie 10 min, kad kepsninė atvėstų.

7. Pridėjusį maistą ir nešvarumus nugramdykite kepsninėms skirtu šepetėliu (A).

8. Naudodami, pvz., popierinį rankšluostį arba kepsninės teptuką, padenkite išvalytas kepsninės ir kepimo groteles augaliniu aliejumi.

Valymui nenaudokite suvirinimo darbams skirto metalinio šepetėlio, nes jis gali pažeisti kepsninės paviršius. Tokiu metaliniu šepetėliu padarytai žalai garantija nebus taikoma.

### Riebalų surinkimo padėklas ir indas

Riebalai dažniausiai užsidega dėl nešvaraus riebalų surinkimo padėklo. Jei riebalų surinkimo padėkle ar inde yra maisto gabaliukų ar marinato likučių, jį reikia iš karto išvalyti toliau pateiktu būdu. Riebalų surinkimo padėkle negali likti riebalų balučių.

1. Įsitinkite, kad kepsninė yra išjungta.
2. Išimkite iš kepsninės riebalų surinkimo padėklą / indą.
3. Nubraukite palaidus maisto gabaliukus ir riebalus kepsninės valymo šepetėlio grandikliu arba plastikine mentele.
4. Riebalų surinkimo padėklą / indą nuplaukite švelnia indų plovimo priemone.
5. Išvalytą riebalų surinkimo padėklą / indą nusausinkite ir įstatykite atgal į kepsninę.

Kad valyti būtų paprasčiau, galite riebalų surinkimo padėklą užkloti folija, ant kurios kaupsis maisto ir riebalų perteklius. Valymo metu tereikės nuimti suteptą foliją.

### Degikliai

Degikliai turi didžiausią reikšmę kepsninės veikimui ir įkaitimui, tad jų švarumą ir būklę reikia reguliariai tikrinti. Degiklius reikėtų nuimti ir patikrinti bent du kartus per metus - ypač pavasarį po žiemos sezono ar kitos ilgos pertraukos naudojime. Mažos degiklių skylutės vilioja vabzdžius ir vorus čia sukti lizdus. Dėl užsikimšusių skylučių ugnis dega netolygiai ir nešvariai. Gali būti, kad dėl užsikimšusio degiklio liepsna ims degti už dujų vamzdelio, o tai gali stipriai pažeisti kepsninę. Degikliai valomi toliau aprašytu būdu.

1. Įsitinkite, kad kepsninė yra išjungta.
2. Išimkite kepsninės ir kepimo groteles bei kaitinimo plokštes.
3. Atsukę tvirtinimo varžtą išimkite degiklį iš ugniadėžės. Varžtai paprastai būna degiklių tolimajame gale.
4. Keliuose kepsninių modeliuose prieš nuimant degiklius reikia pašalinti kepsninės galines plokštes.
5. Dalyje modelių patogu valyti ir neišimtus degiklius. Svarbiausia pasiekti visas mažas skylutes, per kurias tiekiamos dujos.
6. Degiklių paviršių valykite žalvariniu kepsninės šepetėliu.
7. Patikrinkite, ar degiklių skylutės yra atviros ir švarios. Tam galite panaudoti, pvz., ploną metalinę vielą.
8. Jei degiklis yra pažeistas ar stipriai aprūdijęs, jį iš karto pakeiskite.
9. Tuo pačiu patikrinkite, ar švarus ir nepažeistas vožtuvo antgalis.
10. Išvalytus degiklius įstatykite atgal į vietą.

### Kaitinimo plokštės

Kaitinimo plokštės tolygiai paskirsto šilumą kepimo zonoje. Ant kaitinimo plokščių taip pat kaupiasi maisto ir marinato likučiai. Nešvarios plokštės mažina kepsninės galingumą. Kaitinimo plokštes valykite toliau nurodytu būdu.

1. Įsitinkite, kad kepsninė yra išjungta.
2. Išimkite kaitinimo plokštes iš kepsninės.
3. Valymo šepetėlio grandikliu arba plastikine mentele nubraukite maisto likučius nuo kaitinimo plokščių paviršiaus.
4. Pabaigoje pašalinkite likusius nešvarumus kepsninės valyti skirtu žalvariniu šepetėliu.
5. Jei norite, kaitinimo plokštes galite plauti plautuvėje su švelniu indų plovikliu.
6. Išvalytas plokštes nusausinkite ir įdėkite atgal į kepsninę.

Kaitinimo plokščių neplaukite indaplovėje.

### Kitos kepsninės dalys

Be pirmiau aptartų dalių kepsninėje yra daug kitų metalinių detalių, kurias irgi reikia reguliariai valyti. Joms galima taikyti šias bendras instrukcijas.

1. Metalines kepsninės dalis valykite „Mustang“ kepsninių valymo skysčiu. „Mustang“ sąrašė pateiktu valymo skysčiu arba švelniu indų plovikliu ir šluoste.
2. Nepamirškite gerai nusausinti išvalytų dalių.

3. Valdymo skydeliams ir vietoms su įspėjamaisiais užrašais negalima naudoti ploviklių, nes jie gali nutrinti tekstą ar kitus saugos simbolius.

4. Visus išorinius kepsninės paviršius valykite bent tris kartus per metus, kad prie jų neliptų nešvarumai.

5. Naujos valymo priemonės tinkamumą visada tikrinkite mažai pastebimoje vietoje.

Kepsninė gali rūdyti dėl chloro ir druskos poveikio. Tad jei kepsninė naudojama prie jūros arba baseino, ją reikia valyti kas savaitę.

### Medinių dalių valymas

Jei kepsninėje yra medinių dalių, jas reikia valyti ir prižiūrėti, kaip aprašyta toliau:

1. Visas medines dalis reguliariai valykite nušluostydami drėgna šluoste ir švelnaus muilo bei vandens mišiniu.
2. Kruopščiai nusausinkite nuvalytus paviršius.
3. Medines dalis bent dukart per metus apdorokite prekyboje prieinama bespalve medienos alyva, skirta lauko baldams. Tai apsaugos medines dalis nuo išdžiūvimo ir trūkinėjimo.
4. Prieš apdorodami išbandykite medienos alyvą ir visas kitas priemones mažoje nepastebimoje vietoje, kad įsitikintumėte, ar jos tinkamos. Apdorodami medines dalis visada vadovaukitės gamintojo nurodymais.

### Laikymas

Kai darote ilgesnę pertrauką arba norite paruošti kepsninę sandėliavimui žiemą, žiūrėkite šias instrukcijas. Tinkamas laikymas prailgins kepsninės tarnavimo laiką ir ji daugelį metų išliks funkcionali. Sandėliuodami kepsninę laikykitės šių instrukcijų.

1. Kruopščiai išvalykite kepsninę pagal naudojimo vadovo instrukcijas.
2. Užkurkite ir apie 15 min kaitinkite kepsninę, kad išdžiūtų visos metalinės dalys.
3. Palaukite, kol kepsninė atvės.
4. Pasirūpinkite, kad visos kepsninės / kepimo groteles būtų suteptos aliejumi.
5. Jei kepsninė bus laikoma lauke, išimkite degiklius, kepsninės ir kepimo groteles, kaitinimo groteles ir plokštes. Šias dalis reikia laikyti sausoje ir šiltoje patalpoje. Kiekvieną jų būtų gerai suvynioti, pvz., į laikraštį, kad neapsibraižytų paviršius.
6. Nuo dujų baliono nuimkite žemo slėgio reguliatorių.
7. Dujų balioną visada laikykite lauke ir pasirūpinkite, kad jo neveiktų karštis arba saulės spinduliai.
8. Kepsninę laikant lauke, verta įsigyti kokybišką uždangalą, kuris ją uždengtų iki pat žemės. Nepamirškite pasirūpinti, kad oras galėtų cirkuliuoti ir po dangalu.

Nelaikykite kepsninės ten, kur ant jos nuo stogo lašėtų tirpstantis sniegas. Sniego ir ledo sukeltai žalai garantija netaikoma.

### TECHNINĖ PRIEŽIŪRA

Reikia kasmet atlikti dujinės kepsninės techninę priežiūrą. Techninės priežiūros tarnybos telefono numerį rasite svetainėje [mustang-grill.com](http://mustang-grill.com).

### GARANTIJA

Visi „Mustang“ gaminiai yra kruopščiai pagaminti, o jų kokybė patikrinta prieš jiems paliekant gamyklą. Šiai kepsninei ir jos dalims taikoma 24 mėnesių garantija, galiojanti nuo pirkimo datos. Garantija taikoma medžiagų ir gamybos defektams.

Garantija netaikoma įprastam dalių nusidėvėjimui, rūdijimui ir korozijai. Pavyzdžiui, keraminių paviršių skilinėjimas, plieninių paviršių spalvos pasikeitimas ir rūdžių dėmių atsiradimas yra įprasti reiškiniai, atsirandantys naudojant gaminį ir laikui bėgant, bei neturi įtakos kepsninės veikimui. Taip pat garantija netaikoma da-



lims, kurios naudojant dėvisi ar yra veikiamos korozijos, pvz., ke-  
taus ir nerūdijančio plieno degikliai, karščio paskirstymo plokš-  
tės, kepimo grotelės ir plokštės bei šildymo padėklai. Jei kepsni-  
nę surenka pats klientas, jis visada turi montuoti ir keisti dalis pa-  
gal instrukciją. Nepaisant šių instrukcijų garantija negalios. Visada  
įdėmiai perskaitykite naudotojo instrukcijas ir jų laikykitės. Pažei-  
dimams ir defektams, atsiradusiems dėl netinkamo naudojimo ar  
aplaidumo atliekant priežiūrą, garantija netaikoma.

Taip pat garantija netaikoma, jei gaminys naudojamas komerci-  
niais tikslais, prekybai ar nuomai.

Jei gaminys ar gaminio dalis garantiniu laikotarpiu sugenda, kreip-  
kitės į importuotoją arba „Mustang“ pagalbos tarnybą svetainėje  
[www.mustang-grill.com](http://www.mustang-grill.com). Prieš pateikdami garantinę pretenziją dar  
kartą įdėmiai perskaitykite naudotojo instrukciją ir įsitikinkite, kad  
jos laikėtės. Visas garantines pretenzijas tvarkys importuotojas. Su-  
gedusi arba trūkstama dalis bus pakeista nauja. Klientas atsakin-  
gas už sugedusios arba trūkstamos dalies montavimą.

Garantija galioja tik pateikus pirkimo kvito kopiją. Pirkimo kvite tu-  
ri būti nurodytas pardavėjo pavadinimas, kepsninės gamintojas  
ir modelio numeris bei pirkimo data. Garantinėje pretenzijoje tu-  
ri būti pateikta tokia informacija: kepsninės gamintojas ir modelio  
numeris, skundo priežastis, sugedusios dalies numeris pagal dalių  
sąrašą, pirkimo kvito kopija arba pareiškimas, nurodantis pirkimo  
vietą, pirkimo data, vartotojo vardas ir pavardė, telefono numeris,  
adresas, pašto kodas ir miestas.



**mustanggrill**