

<b>Prüfbericht - Nr.:</b> 17796255-001 <b>Test Report No.:</b>		Seite 1 von 4 Page 1 of 4	
<b>Auftraggeber:</b> <b>Client:</b> Suihe Limited 48-2 Yi Shan Yi Shu, Jimo City, Shandong, China			
<b>Hersteller:</b> <b>Manufacturer:</b>			
<b>Gegenstand der Prüfung:</b> Storage shelter <b>Test item:</b>			
<b>Bezeichnung:</b> <b>Identification:</b>		<b>Serien-Nr.:</b> Engineering sample <b>Serial No.:</b>	
<b>Wareneingangs-Nr.:</b> N/A <b>Receipt No.:</b>		<b>Eingangsdatum:</b> N/A <b>Date of receipt:</b>	
<b>Prüfart:</b> As Manufacturer <b>Testing location:</b>			
<b>Prüfgrundlage:</b> Witness test according to client's "Snow load test plan" <b>Test specification:</b>			
<b>Prüfresultat:</b> The test item passed the test specification(s). <b>Test Result:</b>			
<b>Prüflaboratorium:</b> TÜV Rheinland /CCIC (Qingdao) Co., Ltd. <b>Testing Laboratory:</b>			
<b>geprüft/ tested by:</b>		<b>Kontrolliert/reviewed by:</b>	
6.01.2015 _____ Datum Name/Stellung Unterschrift Date Name/Position Signature		21.01.2015 Xiao Ling _____ Datum Name / Stellung Unterschrift Date Name / Position Signature	
<b>Sonstiges/ Other Aspects:</b>			
<b>Abkürzungen:</b> P(ass) = entspricht Prüfgrundlage F(ail) = entspricht nicht Prüfgrundlage N/A = nicht anwendbar N/T = nicht getestet		<b>Abbreviations:</b> P(ass) = passed F(ail) = failed N/A = not applicable N/T = not tested	
Dieser Prüfbericht bezieht sich nur auf das o.g. Prüfmuster und darf ohne Genehmigung der Prüfstelle nicht auszugsweise vervielfältigt werden. Dieser Bericht berechtigt nicht zur Verwendung eines Prüfzeichens. This test report relates to the a. m. test sample. Without permission of the test center this test report is not permitted to be duplicated in extracts. This test report does not entitle to carry any safety mark on this or similar products.			

Prüfbericht-Nr.: [REDACTED]  
Test Report No.: [REDACTED]

Seite 2 von 4  
Page 2 of 4

## 1. Scope

This witness test report is only to verify the load test for storage shelter frame according to snow load test plan provided by the client. We witnessed the whole testing procedure at customer site and confirm the testing result data is valid.

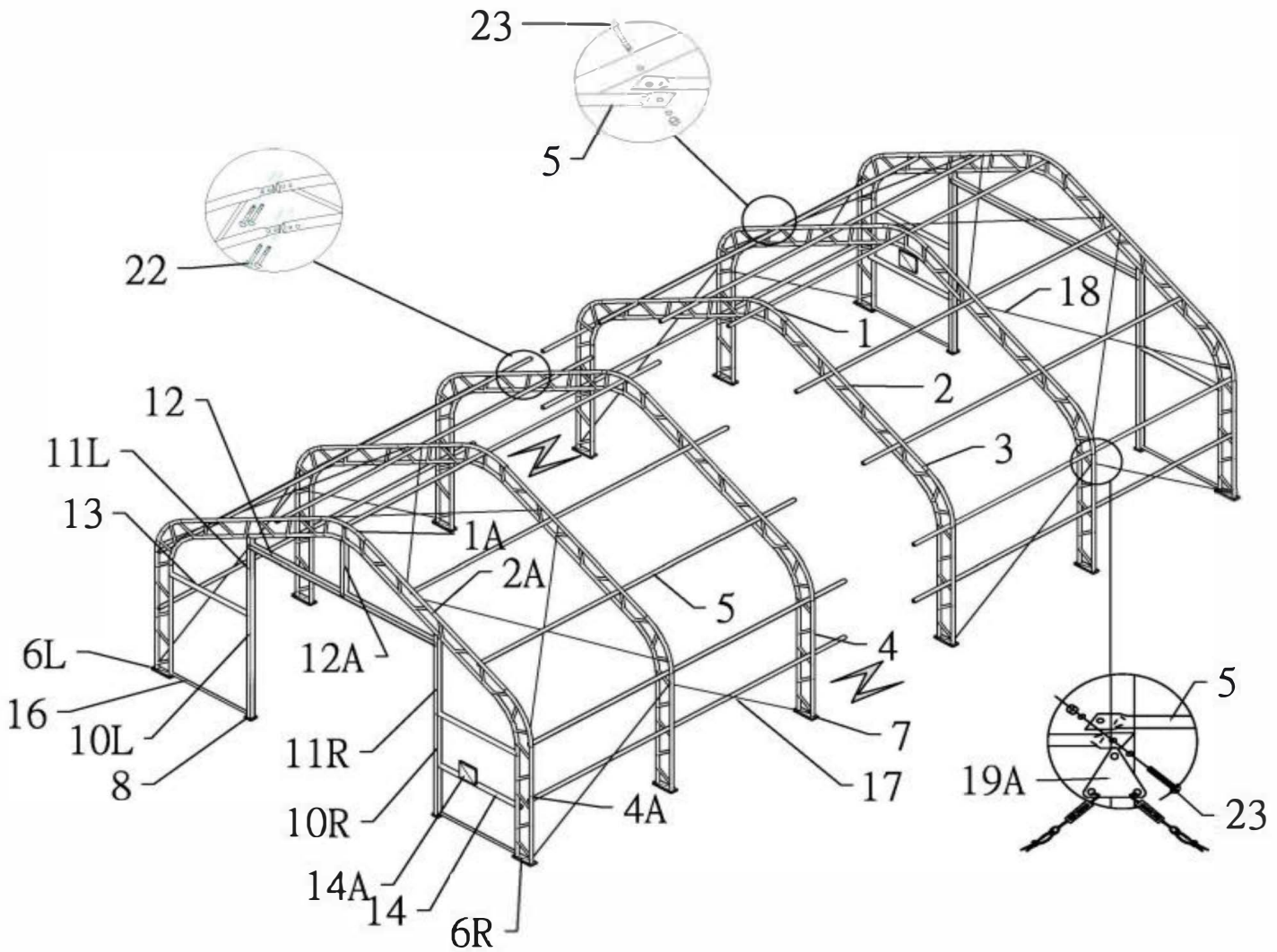
## 2. Product description:

The storage shelter frame is made of circular and square profiles. The profiles are made of Q215. The roof cover is made of 300gsm PE/420gsm PVC/610gsm PVC/900gsm.

Storage shelter picture for [REDACTED]



Dimension:



3. Measurement equipment list:

Test equipment	Equipment No. / ID-No.	Next calibration
Tape Ruler	N106 0-5m	23.10.2015

Prüfbericht-Nr.:  
 Test Report No.: [REDACTED]

Seite 4 von 4  
 Page 4 of 4

4. Test procedure and test result:

W30H20DP	Test load		Deflection		
	kg	kPa	Point A(mm)	Point B(mm)	Point C(mm)
Step1	0	0	0	0	0
Step2	234	1.28	8	9	15
Step3	366	2.3	18	19	21
Step4	Keep the test load until 30 minutes				
Step5	Remove the test load		18	19	20
Conclusion:	The test sample can withstand the applied test load without damaged.				

- End of Test Report [REDACTED]

