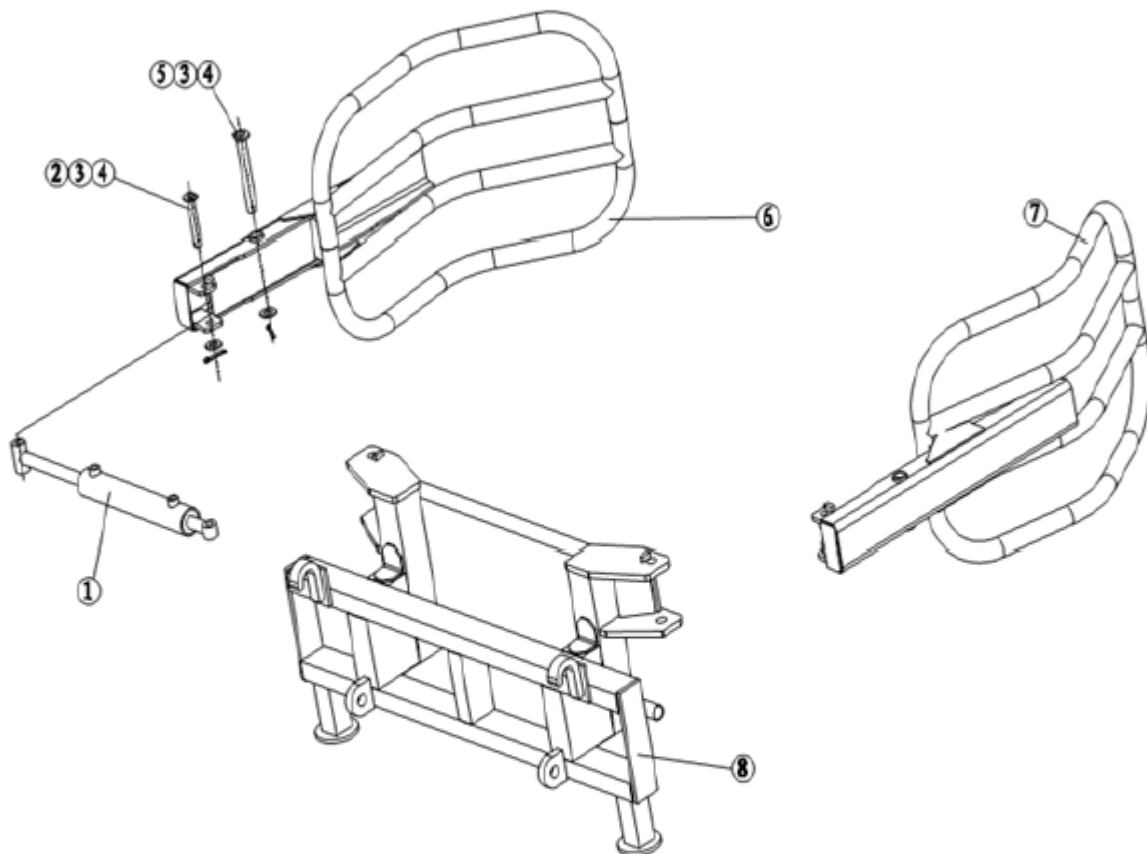


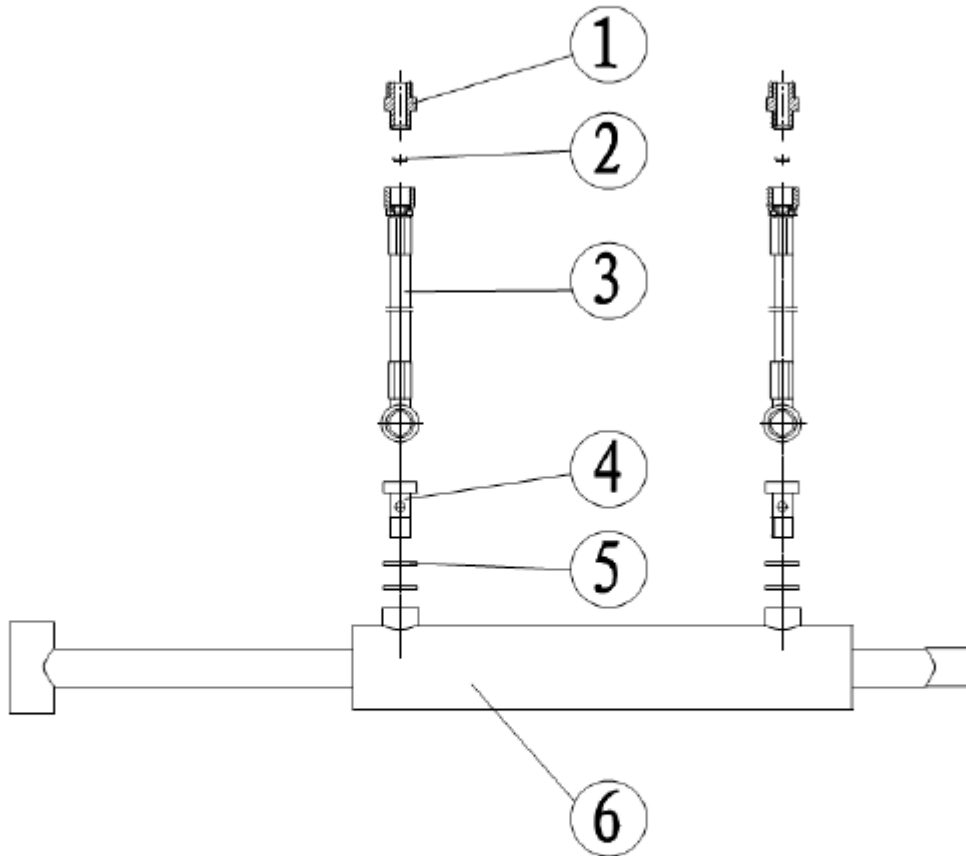
TAR005 Bale Grabber Part List

A. Grass Clip Assembly



Ref. No.	Part No.	Part Description	Qty
A1	WD70-012	Hydraulic Cylinder and Fitting Assembly	1
A2	WD70-101	Cylinder pin	2
A3	GB/T97.1-2002	Plain washer 16	4
A4	GB/T91-2000	Cotter pin 6.3X50	4
A5	Z03-02-499	Pivot pin	2
A6	WD70-ARM.L.H.S-A	Grab arm weldment L	1
A7	WD70-ARM.R.H.S	Grab arm weldment R	1
A8	WD70-MF-A	Bale grabber frame weldment	1

B. Hydraulic Cylinder and Fitting Assembly



Ref. No.	Part No.	Part Description	Qty
B1	FEL300.402	Tie-in R1/2	2
B2	GB3452.1-92	O-ring seal 13X2.4	2
B3	WD70.013	Oil pipe 2	2
B4	FEL300.403	Hollow bolt M18	2
B5	JB1002-77	Seal washer 18	4
B6	WD70-011	Hydraulic cylinder	1