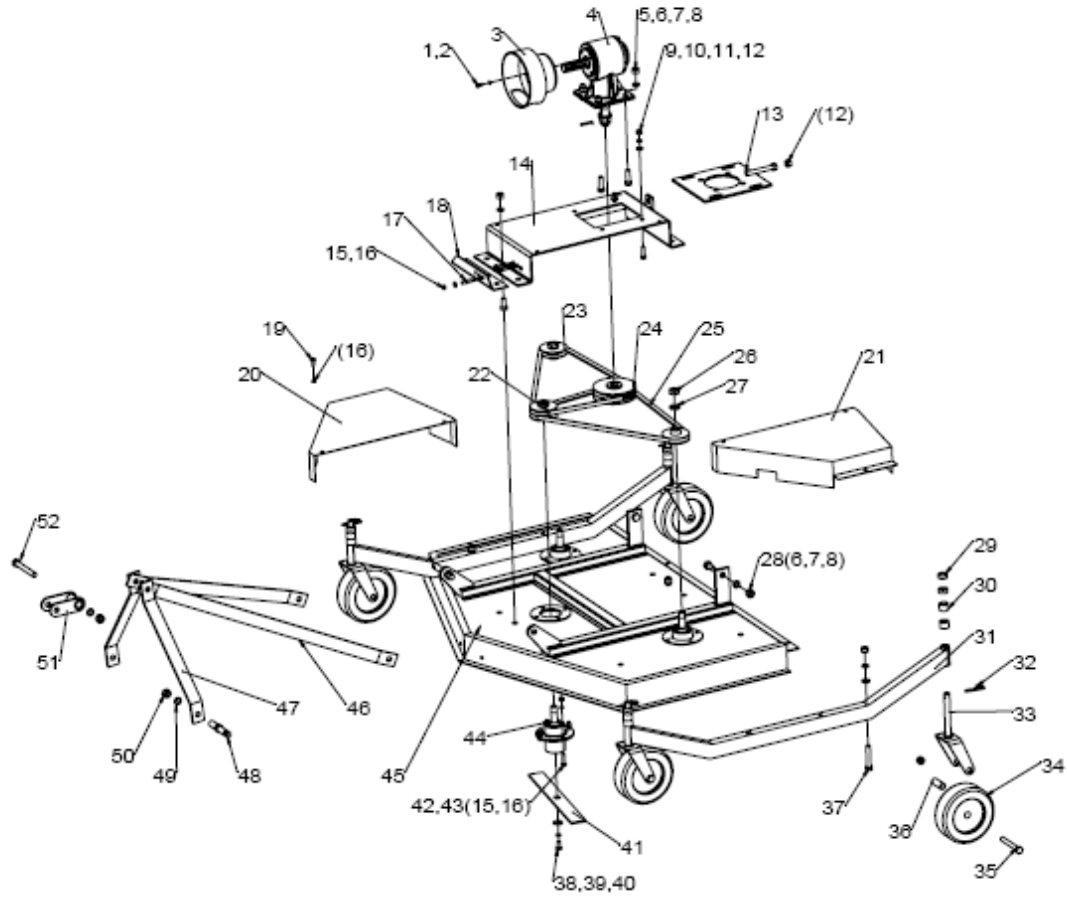




**TAR100 RUOHONLEIKKURI 120 CM 25-100 MM 15-30 HP / FINISHING MOWER 120 CM**

# FM120/FM150/FM180 FINISHING MOWER PARTS



## FM-120/150/180 Finishing Mower Parts List

ITEM	PART #	DESCRIPTION
1	GB5783 M8x16	Bolt M8x16
2	GB93 washer 8	Lock washer 8
3	FM150.120	Cover
4	FM150.003	Gearbox Assembly
5	GB5783 M16X50	Bolt M16X50
6	GB97.1 washer 16	Plain washer 16
7	GB93 washer 16	Lock washer 16
8	GB6170 M16	Nut M16
9	GB5783 M12x40	Bolt M12x40
10	GB97.1 washer 12	Plain washer 12
11	GB93 washer 12	Lock washer 12
12	GB6170 M12	Nut M12
13	FM150.20.011	Gearbox base plate
14	FM150.20.012	Gearbox mounting
15	GB6170	Nut M10
16	GB97.1	Plain washer 10
17	FM150.20.104	Grease hose A
	FM150.20.105	Grease hose B
18	FM150.20.106	Hose mounting
19	GB5783	Bolt M10x20
20	FM150.20.012	FM150 Right cover
	FM120.20.012	FM120 Right cover
	FM180.20.012	FM180 Right cover
21	FM150.20.015	FM150 Left cover
	FM120.20.015	FM120 Left cover
	FM180.20.015	FM180 Left cover
22	FM150.30.101	Double sheave pulley
23	FM150.40.101	Single sheave pulley
24	FM150.10.112	Drive pulley
25	B1524	FM150 Belt
	B1372	FM120 Belt
	B1753	FM180 Belt
26	GB6173	Narrow nut M24x2
27	GB93	Lock washer 24
28	GB5783	Bolt M16X45
29	FM150.20.201	Short spacer
30	FM150.20.202	Long spacer
31	FM150.20.020	FM150 Axle beam weldment
	FM120.20.020	FM120 Axle beam weldment
	FM180.20.020	FM180 Axle beam weldment

32		Lock pin 12
33	FM150.20.021	Yoke weldment
34	W8X3	Wheel assembly
35	GB5782	Bolt M16X100
36	FM150.20.203	Bushing
37	GB5782	Bolt M16X90
38	GB5783	Bolt M14X25L
39	GB97.1	Plain washer 14
40	GB93	Lock washer 14
41	FM150.30.106	FM150 blade
	FM120.30.106	FM120 blade
	FM180.30.106	FM180 blade
42	GB5783	Bolt M10X35
43	GB93	Lock washer 10
44	FM150.30.001	Spindle assembly
45	FM150.20.010	FM150 Deck weldment
	FM120.20.010	FM120 Deck weldment
	FM180.20.010	FM180 Deck weldment
46	FM150.20.101	FM150 Long pivot bar
	FM120.20.101	FM120 Long pivot bar
	FM180.20.101	FM180 Long pivot bar
47	FM150.20.104	FM150 Short pivot bar
	FM120.20.104	FM120 Short pivot bar
	FM180.20.104	FM180 Short pivot bar
48	FM150.20.103	Lift pin
49	GB93	Lock washer 22
50	GB6172	Nut 22x1.5
51	FM150.20.013	Upper lift bracket
52	GB5782	Bolt M16x140