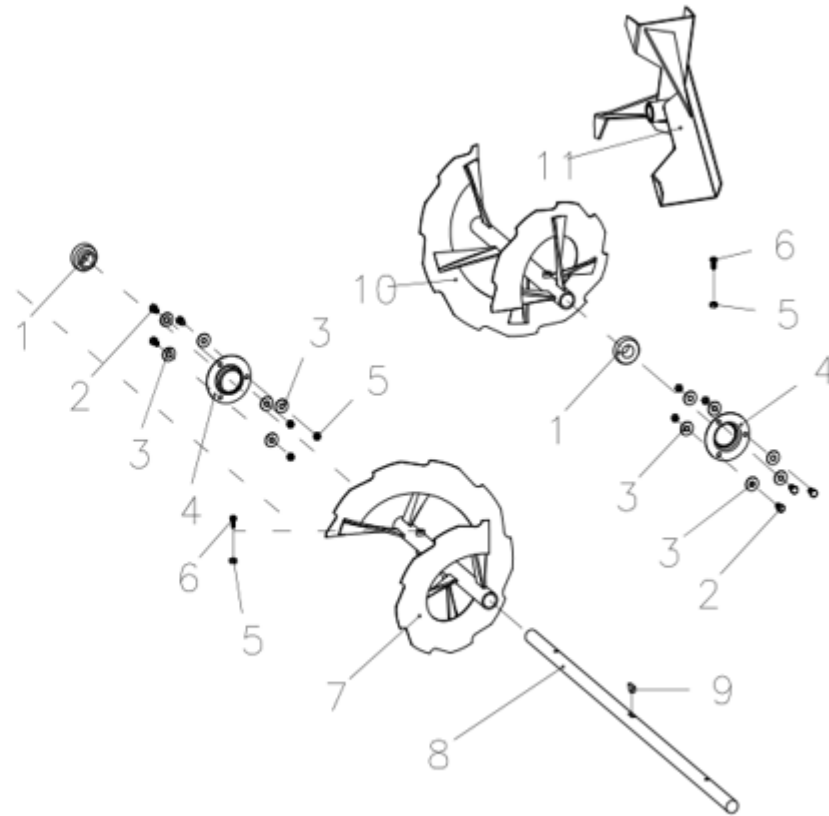
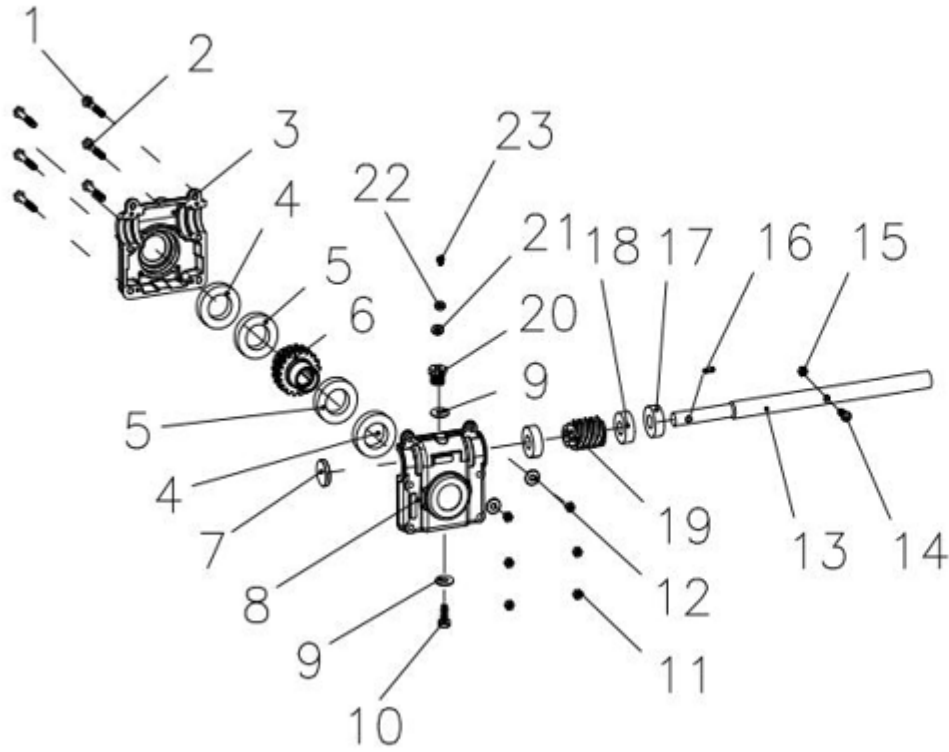


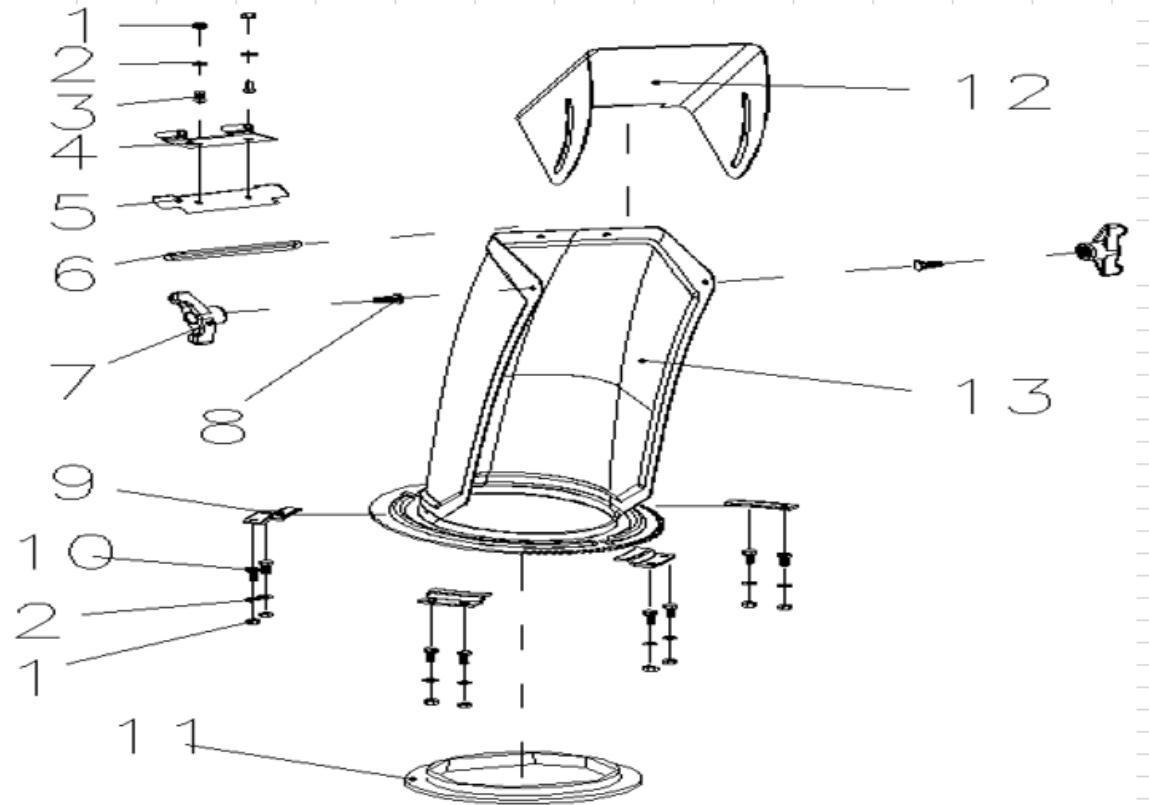
No	English name	Drawing No.	Code	Material	Qty
1	Spherical bearing	SX-13-51	10.15.11.1.004	SB20	5
2	Hexagon screw		10.01.08.1.103	M8X1	14
3	Plain Washer		10.12.08.1.102	8*16	27
4	Bearing gland A	SX-13-89	06.1.16.03.013	A3	2
5	Lock nut		10.17.08.1.101	M8	46
6	Auger bolt	SX-13-92	10.07.08.1.106	6*10	2
7	Right auger	STG13150-801	07.1.4.3.06.006		1
8	Auger shaft	STG13150-201	06.1.4.3.04.001	45#	1
9	Semicircular key		10.28.06.4.002	6*10*2	1
10	Left auger	STG13150-801	07.1.4.3.06.005		1
11	Snow ejection wheel	SX-13-84	07.1.16.03.004	A3	1



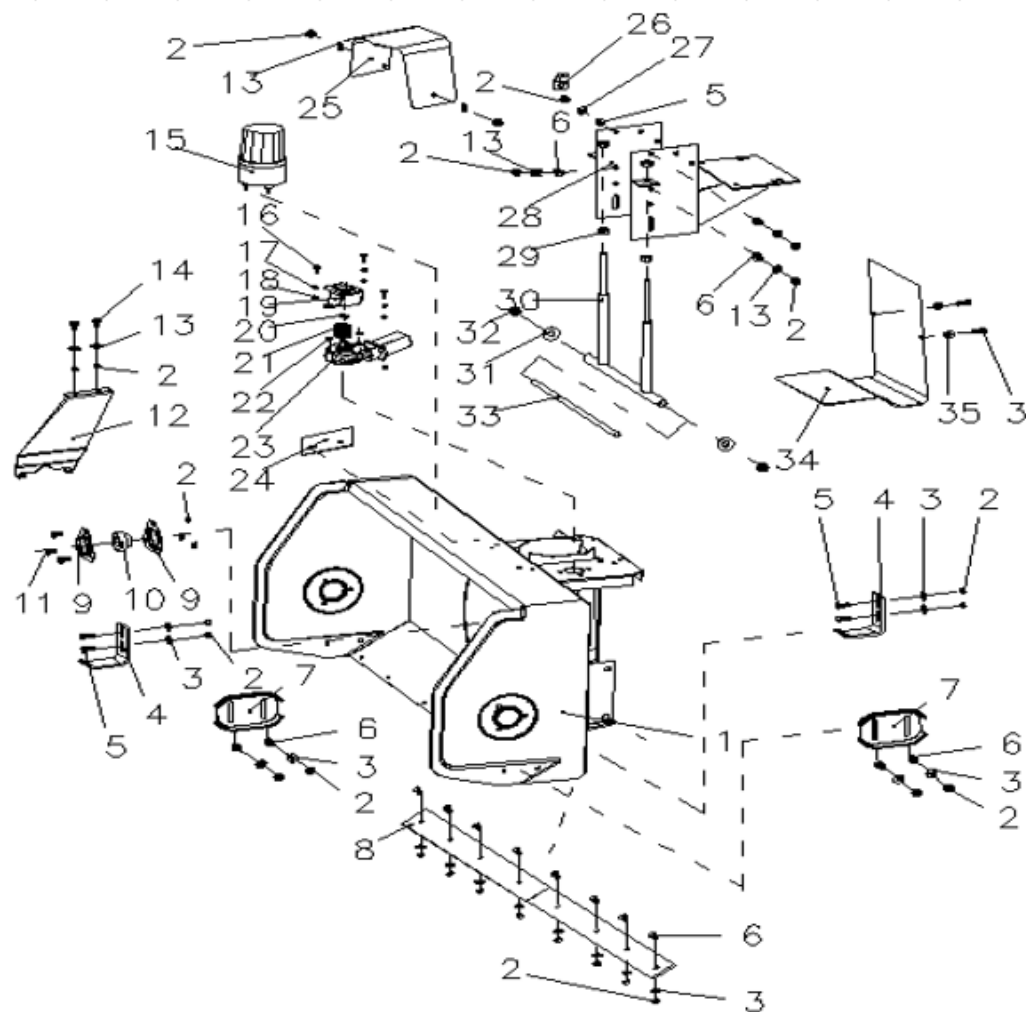


No	English name	Drawing No.	Code	Material	Qty
1	Hexagon screw		10.01.08.1.108	M8X35	2
2	Hexagon screw		10.01.08.1.113	M8X65	4
3	Left worm gear cast	SX-13-73	08.1.16.00.004	铸	1
4	Oil Seal 1		10.22.40.1.001	40-55-8	2
5	Bearing		10.15.07.1.014	6008	2
6	Worm gear	SX-13-74	08.1.16.00.001	铸	1
7	Sealing end cover	SX-13-82	06.1.16.07.001		1
8	Right worm gear cast	SX-13-76	08.1.16.00.005	铸	1
9	Wood Washer		10.12.10.1.110	φ10	2
10	Hexagon bolt(Closely-pitched)		10.01.10.2.101	M10X10	1
11	Hexagon screw		10.01.08.1.103	M8X16	6
12	Plain Washer		10.12.08.1.102	φ8*16*1.2	2
13	Worm shaft	SX-13-79	08.1.16.04.005		1
14	Socket screw		10.03.08.1.105	M8X50	1
15	Lock nut		10.17.08.1.101	M8	1
16	Spring pin		10.24.08.2.101	φ8X32	1
17	Oil Seal 2		10.22.25.2.001	25-40-7	1
18	Bearing		10.15.04.1.007	30204	2
19	Worm	SX-13-77	08.1.16.00.009		1
20	Steam drain-1	SX-13-90A	08.1.16.00.008		1
21	Plain Washer		10.12.06.1.105	φ6*23*3	1
22	Spring washer	S'w-6	10.13.04.1.03	φ6	1
23	Cross recessed pan head screw		10.06.06.1.101	M6*10	1

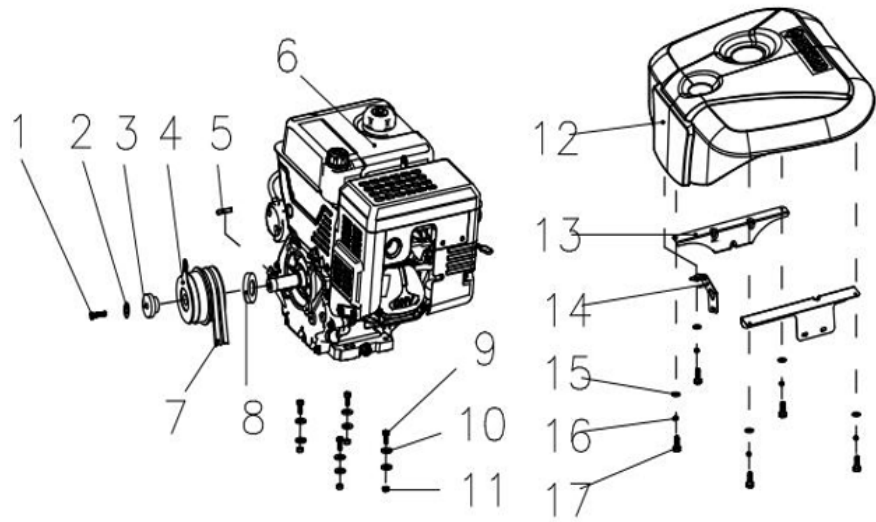
No	English name	Drawing No.	Code	Material	Qty
1	Lock nut		10.17.06.1.101	M6	10
2	Plain		10.12.06.1.101	φ12	10
3	Hexagon socket button head screws		10.03.06.5.106	M6*13	2
4	Lower hinge	SJ-200-6	09.1.07.03.013		1
5	Chute rubber gasket	SX-11-400	12.1.10.00.102	橡胶胶	1
6	Chute return lever		09.1.07.03.014		1
7	Rotary knob M8	ZY-050	05.1.22.100		2
8	Hexagon socket button head screws		10.03.08.5.101	M8*20	2
9	Chute washer	STG13150-113	06.1.43.03.001	A3	4
10	Hexagon screw		10.01.06.1.102	M6X12	8
11	Snow ejection seat	SX-13-68	05.1.16.700	塑料	1
12	Chute cap welded part	STG13150-806	07.1.43.06.002		1
13	Chute welded part	STG13150-807	07.1.43.06.003		1



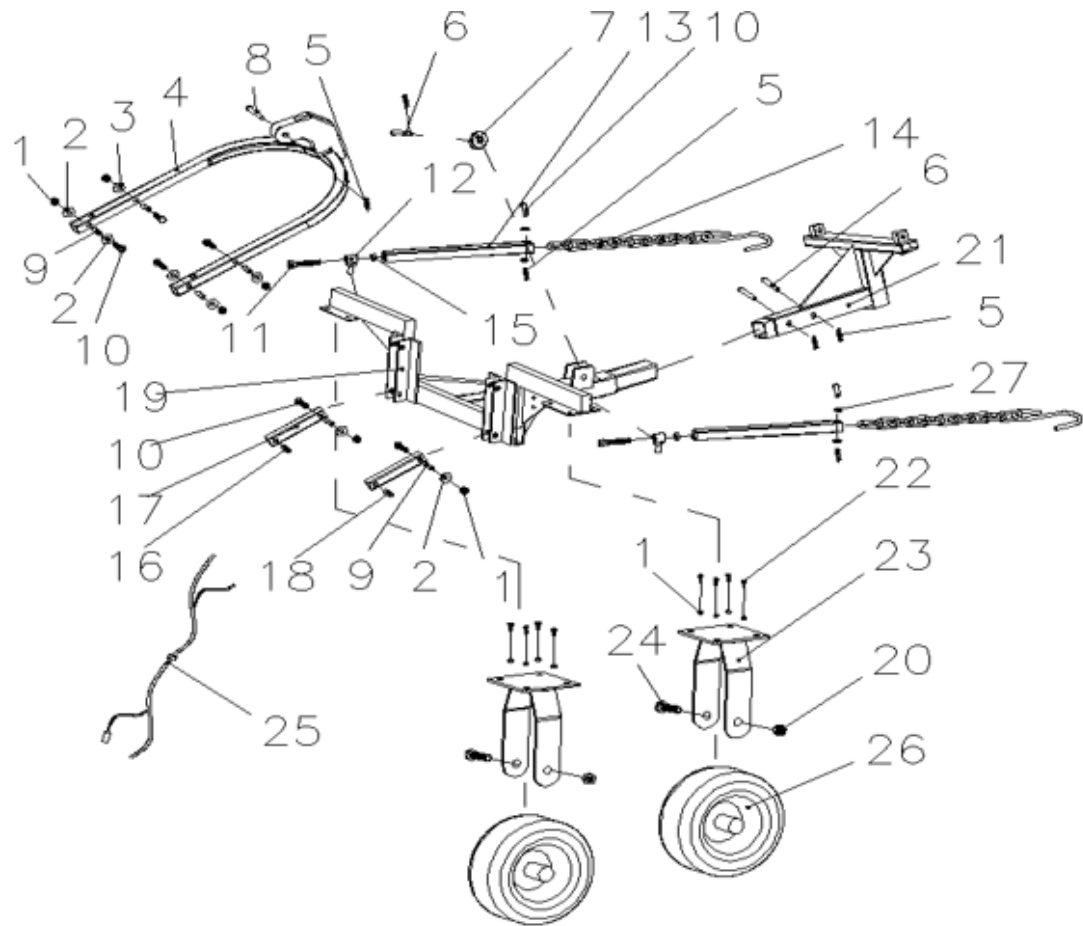
No	English name	Drawing No.	Code	lateri	Qty
1	Housing	STG13150-802	07.143.06.004	A3	1
2	Lock nut		10.17.08.1101	M8	27
3	Large Washer		10.12.08.1103	8*22*	16
4	Slide plate	SX-13-58	06.116.03.004	A3	2
5	Step bolt		10.04.08.1104	M8X2*	5
6	Step bolt		10.04.08.1103	M8X2*	15
7	SJ skid	SJ-111-a	09.101.03.027	A3	2
8	Snow cleaning blade	STG13150-110	06.143.06.001	A3	2
9	Bearing Cover B	SX-13-50	06.116.03.010 (06.143.03.005)		2
10	Spherical bearing	SX-13-51	10.15.11.1004	B205-	5
11	Step bolt		10.04.08.1101	M8X16	6
12	Auger stiffening plate	SX-13-70	06.116.06.001	A3	1
13	Plate washer		10.12.08.1102	8*16*	2
14	Auger bolt	SX-13-92	10.07.08.1106	(M8X	2
15	Lamp		13.116.01.001		1
16	Hexagon screw		10.01.05.1202	B/T51*	3
17	Spring washer			ø5	3
18	Plain Washer			ø5	3
19	Motor cover	ST105-1113	06.141.03.001	5. 5. 1	1
20	Axle spring		10.23.11.1001	ø 11	1
21	Rotary gear	STG105-301	06.141.00.015	5. 5. 1	1
22	Motor sleeve	ST105-208	06.141.01.001		3
23	Chute steering motor	ST105-701	13.141.09.001	3V-50*	1
24	Housing stiffening plate	SX-13-62P	06.116.06.101		1
25	Belt cover	SX-13-104	06.116.03.008	A3	1
26	Wiring scotch tape	SX-13-105	07.116.03.008	A3	1
27	Step bolt		10.04.08.1104	M8X2*	5
28	Gasoline Engine bar shoe	SX-13-37	07.116.03.007	A3	1
29	Hexagon nut		10.14.12.1101	M12	4
30	Belt adjust bracket	SX-13-38	07.116.03.006	Q235	1
31	Plain Washer		10.12.12.1104	2*25*	2
32	Lock nut		10.17.12.1101	M12	2
33	Screw		08.116.01.001	112X45	1
34	Plate welding	STG13150-812	07.143.06.008		1
35	Plain Washer		10.12.06.1101	5*12*	4
36	Outer hexagon tapping bolts		10.02.06.4.101	M6*12	4



No	English name	Drawing No.	Code	Material	Qty
1	Hexagon screw		10.01.08.1.1	M8X45	1
2	Plate		10.12.08.1.10	*16*	1
3	Clutch capping	SX-13-34	3.1.16.01.00	A3	1
4	Clutch		08.1.43.01.00	R-175	1
5	A key		10.28.06.1.00	6X30	1
6	Engine				1
7	Belt		10.16.04.00	1020	2
8	Plate cover		09.1.16.03.002		1
9	Outside hexagonal bolt (half-thread)		10.01.10.1.13	110X4	4
10	Plain Washer		10.12.10.1.10	*20*	4
11	Lock nut		10.17.10.1.10	M10	4
12	Engine cover	STG13150-501	05.1.43.001		1
13	Cover support	STG13150-112	5.1.43.03.003		2
14	Cover support	STG13150-114	5.1.43.03.004		1
15			10.12.06.1.10	*Φ12*	17
16	Spring washer	SW-6	0.13.04.10	φ6	4
17	Pan head self-tapping screw		10.06.04.5.10	5*16	4



No	English name	Drawing No.	Code	Material	Qty
1	Nut		10.17.10.1.101	M10	4
2	Plain Washer		10.12.10.1.106	10*28*2	4
3	Plate		10.12.08.1.103	8*22*2	2
4	Hook rack welded part	STG13150-805	07.1.43.03.001		1
5	B-pin	STG13150-207	10.24.10.3.105	10*65	6
6	Pin buckle	NJ-02	10.24.00.3.101		3
7	Pulley	STG13150-215	06.1.43.01.003		1
8	B-type pin shaft		10.24.10.3.102	10*48	1
9	Copper sheathing	SX-13-07	08.1.16.00.002		6
10	B-type pin shaft		10.24.10.3.103	10*35	2
11	Welding screw	SX-13-31	07.1.16.01.001		4
12	Round tube subassembly	SX-13-15	07.1.16.03.014	A3	2
13	25 rectangular tube subassembly	SX-13-16	07.1.16.03.010	A3	2
14	Iron chain	SX-13-18	09.1.16.01.008		2
15			10.14.12.1.101	M12	6
16	Copper sheathing 2	SX-13-07B	08.1.16.00.003		1
17	Siphonum	SX-13-17	06.1.16.03.011	A3	2
18	Copper sheathing 2	SX-13-07B	08.1.16.00.003		1
19	King truss	STG13150-804	07.1.43.03.002		1
20	Nut		10.17.12.1.101	M12	4
21	Connection frame welded part	STG13150-803	07.1.43.06.001		1
22	Hexagon screw		10.01.10.1.105	M10X20	8
24	Hexagon screw		10.01.12.1.112	M12X130	2
23	Wheel bracket	SX-13-20	09.1.16.01.004	A3	2
25	Harness assy.		03.1.16.35.00		1
26	Wheel		03.1.16.13.01		2
27	Plate		10.12.10.1.103	10*20*2	4



No	English name	Drawing No.	Code	Material	Qty
1	Gearbox mounting plate	STG13150-813	07.1.43.03.003		1
2	Plate		10.12.08.1.102	Φ8*16*1.2	4
3	Spring washer		10.13.04.104	Φ8	5
4	Socket bolt		10.03.08.1.103	M8*25	4
5	Deep groove ball bearing		10.15.07.1.012	6005	4
6	Shaft spring		10.23.25.1.001	Φ25	2
7	Input gear	STG14150-2-4	06.1.43.00.036	Z18m2.5, 20CrMnTi	1
8	Seal		10.22.30.2.003	30*42*7	1
9	Belt wheel shaft	STG13150-231	06.1.43.00.037		1
10	A key		10.28.08.1.002	8x25	1
11	140 belt wheel	STG13150-308	08.1.43.01.003		1
12	Plate		10.12.08.1.108	8.5*35*2.5	1
13	outer hexagon bolt		10.01.08.1.105	M8*20	1
14	Hexagon socket head		06.1.43.00.033	G1/4-19牙	1
15	Back gearbox	STG13150-306	06.1.43.00.031	铸	1
16	Middle tooth	STG14150-2-5	06.1.43.00.035	Z25m2.5, 20CrMnTi	1
17	Front gearbox	STG13150-305	06.1.43.00.030	铸	1
18	Outer hexagon half-tooth bolt		10.01.08.1.113	M8*50	6
	Plate		10.12.08.1.102	8*16*1.2	6
	Spring washer		10.13.04.104	Φ8	6
19	outer hexagon bolt		10.01.08.1.106	M8*25	4
	Plate		10.12.08.1.101	8*16*1	4
	Spring washer		10.13.04.104	Φ8	4
20	Seal		10.22.40.2.001	40*55*8	2
21	Deep groove ball bearing		10.15.07.1.047	61908-2RS	2
22	Big gear	STG13150-304	06.1.43.00.034	Z34m2.5, 20CrMnTi	1

