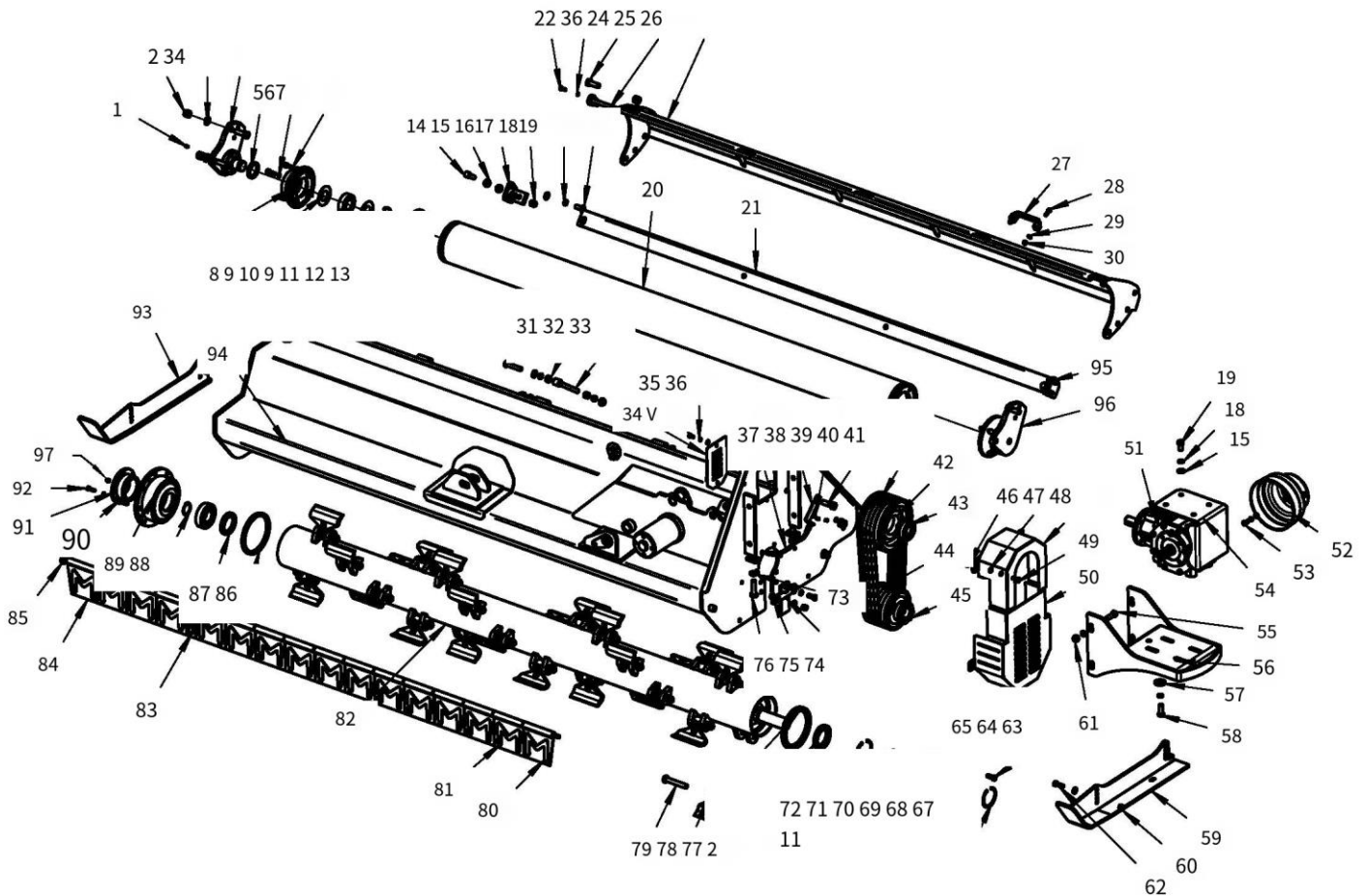


TAR220 Piennarmurskain



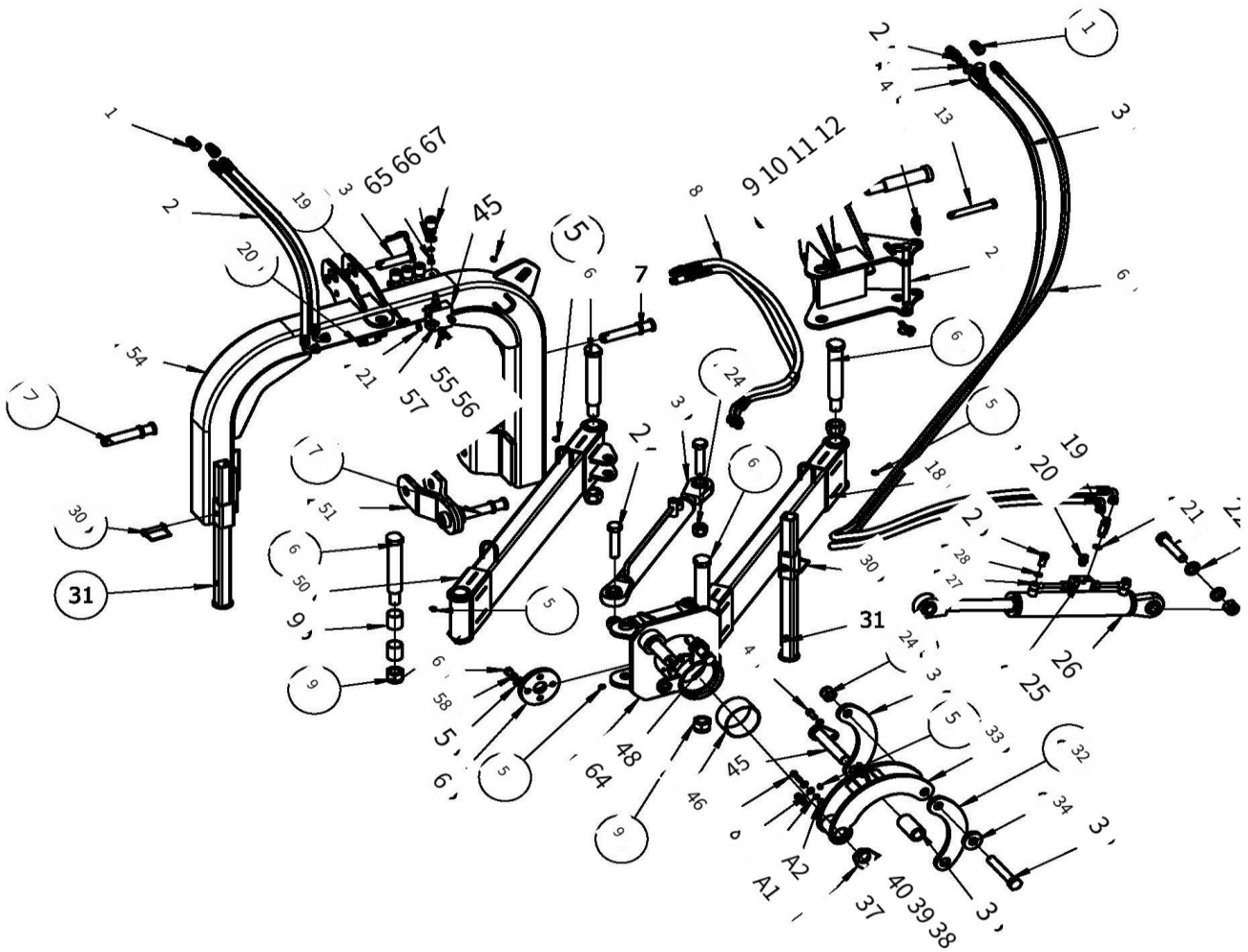
Lawnmower frame assembly					
Serial number	Part number	Article number	Name	Quantity	Remarks
1	GB1152-M6	509010007	Oil cup	2	
2	DIN985-M16	503010765	Thin hexagon locking nut	32	
3	GB97.1-16	506010059	Flat pad	4	
4	AGFR245-0800-00	809880077	Roller seat frame welding 2	1	
5	GB13871-FB-50X65X8	510020443	FB type oil seal (in)	2	
6	GB93-10	506030036	Spring Pads	14	
7	GB70.1 - M10X30	505011430	Hex socket cylindrical head screws	8	
8	VM190.112	702740057	Roller bearing seat	2	
9	VM190.107	702740052	Adjustment pad (φ80Xφ41)	4	

10	GB276-62208-RS	511025373	Deep groove ball bearings	2	
11	GB893.1-80.	506060191	Retainer for A-holes	3	
12	JB4342-40 (2.5 mm)	506060517	Retainer for thickening shaft	2	
13	GB3452.1 - G - 150 x3.55	510013277	O-ring seal	2	
14	GB5783-M14x50	501011144	Full threaded bolts	2	
15	GB97.1-14	506010058	Flat pad	28	
16	AGFR245-1700-00	809880095	Scraper hanger weld 2	1	
17	DIN985-M14	503010764	Thin hexagon lock nut	2	
18	GB93-14	506030038	Spring washer	26	
19	GB5783-M14x30	501011140	Full threaded bolts (200-245)	8	
20	VM220.015	806060022	Roller welds (Type 220)(L=2020)	1	
21	EFAGF220.219 - N	709920009	Scraper (Type 220)	1	
22	GB5783-M8x20	501011099	Full thread bolts	2	
24	GB5783-M16x45	501011159	Full threaded bolts	1	
25	AGZ - 220.017 - N	809920002	String rod welds (Type 220)	1	
26	AGFR220-0900-00A	812450012	Cover plate welded 1(Type 220)(3mm thickened)	1	
27	RKH120-BS	705290212	Handles	2	
28	GB70.1 - M8x25	505011416	Hex socket cylindrical head screws	4	
29	GB97.1-8 -	506010055	Flat pad	6	
30	DIN985-M8	503010761	Thin hexagon lock nuts	4	
31	X70 GB5785 - M14x1. 5	501011552	Fine teeth semi-threaded bolts	2	
32	GB6171 - M14x1. 5	503010182	Hexagon fine tooth nuts	6	
33	AGFR245-2400-00	809880118	Wire-weld for scraper 1	2	
34	AGFR245-0000-03	709880003	Sealing Cover 1	1	
35	GB5783-M8x16	501011098	Full thread bolts	2	
36	GB93-8	506030035	Spring Pads	10	
37	EFAG140.023	702480117	Fueling hose combination (including right Angle joint)	1	
38	EFAG140.142 - AGMZ	702650044	Grease nipple seat	1	
39	GB1152-M10X1	509010009	Oil cup	1	
40	GB5783-M16x50	501011160	Full threaded bolts	5	
41	17X1270	514010005	Toothed belt	5	
42	AGFR245-0000-16	709880017	Large pulley (five slots) (200-245)	1	
43	REACH15-33X80	515010004	Bulging set	1	
44	AGFR245-0000-15	709880016	Small pulley (five slots) (200-245)	1	
45	REACH15-45X80	515010011	Bulging set	1	
46	GB6170-M10	503010046	Hex nuts	2	

47	GB97.1-10	506010056	Flat pad	6	
48	AGFR245-2000-00	809880103	Upper pulley cover welds (200-245)	1	
49	GB5783-M10x25	501011112	Full threaded bolts	4	
50	AGFR245-2200-00	809880109	Lower pulley cover welds (200-245)	1	
51	AGFR245-0300-00	809880059	Gear box Assembly (200-245)	1	
52	AGFR245-2700-01	809820078	Protective cover (including cover) (200-245)	1	
53	GB5783-M10x20	501011111	Full threaded bolts	2	
54	AGFR245-0000-10	709880010	Gear box protection plate (200-245)	1	
55	GB5783-M14x45	501011143	Full threaded bolts	8	
56	AGFR245-1900-00	809880100	Gear box mounting seat solder (200-245)	1	
57	GB96.1-14	506010038	Extra flat mat	4	
58	GB5783-M14x40	501011142	Full thread bolts	4	
59	AGFR245-1400-00	809880089	Base bracket weld 1	1	
60	DIN985-M12	503010763	Thin hexagon lock nut	14	
61	GB6170-M14	503010048	Hex nuts	4	
62	GB5783-M12X35	501011127	Full thread bolts	4	
63	GB5783-M12x30	501011126	Full threaded bolts	7	
64	GB93-12	506030037	Spring Pads	7	
65	GB97.1-12	506010057	Flat pad	35	
67	CFW-45X80X8	510020444	FB type oil seal	1	
68	VM190.111 - N	709820040	Right bearing seat	1	
69	GB288-21309-C	511011083	Self-aligning roller bearings	2	
70	GB893.1-100.	506060199	Retainer for A-holes	1	
71	CFW-65X100X10	510020439	FB Type oil seal (in)	1	
72	AGFR245-0000-13	709880014	Sealed felt 2	1	
73	GB6173 - M16x1. 5	503010137	Thin nut with fine teeth	2	
74	AGMZ - 200.017 - N	809820033	Notched baffle welds	1	
75	GB70.3 - M12x35	505011751	Hex socket countersunk head screws	2	
76	The x60 GB5786 - M16x1. 5	501011907	Fine teeth full thread bolts	2	
77	GB93-16	506030039	Spring Pads	26	
78	EFAG140.103	702480120	Small hoe (large)	26	
79	EFAG140.190	702480173	Knife bolt (M16X1.5X92)	26	
80	EFAG140.111 B	709950011	Wide baffle (right cut corner)	1	
81	EFAG140.111	702480127	Wide baffle	14	
82	EFAGF220N-DZZJ-PJ	809980018	AGF220N tool shaft Assembly (special for accessories)	1	

83	EFAG140.111 C	702480128	Wide baffle (46)	1	
84	EFAG140.111 a.	709950010	Wide baffle (left cut corner)	1	
85	VM220.101	706060046	Flapper hanging rod (type 220)(L=2240)	1	
86	AGFR245-0000-12	709880013	Sealable felt 1	1	
87	CFW-65X90X10	510020626	FB type oil seal (in)	1	
88	GB894.1-45	506060323	Retainer for A-shaft	1	
89	AGFR245-0000-11	709880011	Left bearing seat	1	
90	GB5783-M12x45	501011129	Full threaded bolts	8	
91-1	AGFA140-000-02	716330007	Nozzle cover (new model)	1	
91-2	AGFA140-000-03	716330006	Paper pad for bearing seat (with new nozzle cap)	1	
91-3	VM190.163 - N	709880021	Bearing seat nozzle cap	1	
92	GB5783-M8X30	501011101	Full threaded bolts	6	
93	AGFR245-1300-00	809880086	Base bracket welded 2	1	
94	AGFR220-0200-00-FL	812950014	Mower Cover Weld 1(Finnish model)(Model 220)	1	
95	AGFR245-1500-00	809880090	Scraper hanger welding 1	1	
96	AGFR245-1000-00	809880083	Roller seat frame welding 1	1	
97	GB1152-M10X1	509010009	Oil cup	1	

Swing frame assembly for mower

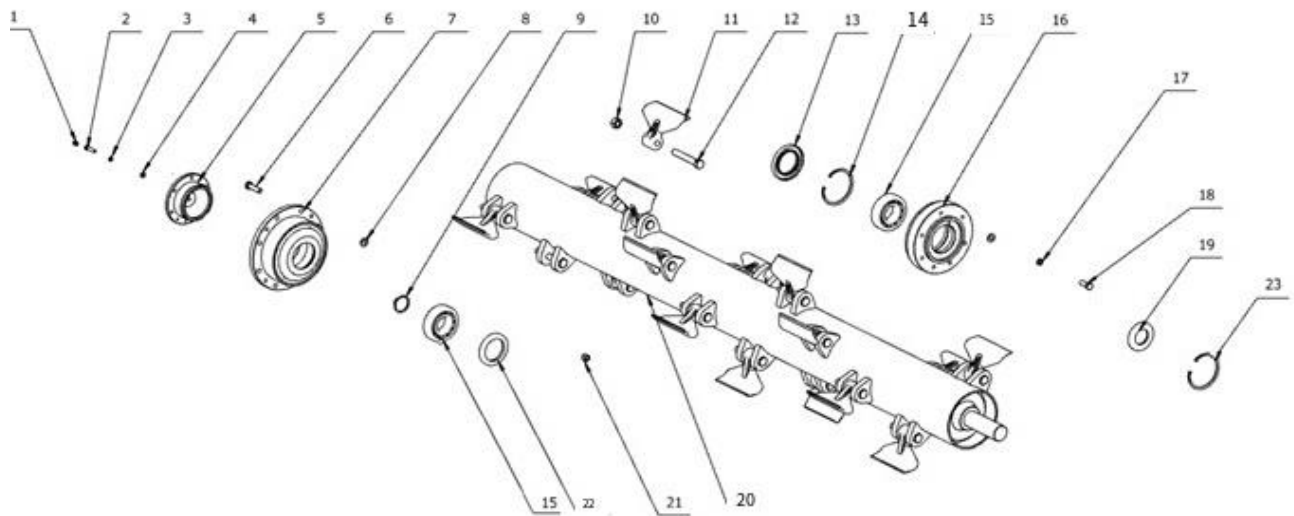


Lawn mower swing frame assembly					
Serial number	Part number	Article number	Name	Quantity	Rem
1	QUICK-COUPLING-G1/2-G	703820055	Quick change male joint G1/2	4	
2	EFAGF140.022 a.	702680118	Tubing (L=1400)	2	
3	1G-180-00-019	805760001	Upper suspension pin	1	
4	VAU-G3/8-B	702710129	Two-way relief valve	1	
5	GB1152-M10X1	509010009	Oil cup	7	
6	EFAGF140.101	702680001	Long pin	4	
7	EFAG140.014 A - 1	706790181	Lower suspension pin (model AG200/220/250)	3	
8	EFAGF140.020 A - N	709880121	Short tubing	2	
9	DIN985-M30x2	503010749	Thin hexagon thin toothed lock nut	5	

10	AGFR245-0500-00	809880064	Lateral swing seat welds	1	
11	EFAGF140.106	702680005	Short pin	1	
12	200.56.011	700080010	Lock pin assembly	3	
13	AGFR245-0000-14	709880015	Install retainer pin 1	1	
14	FV10-1-10/2-G3/8	706590117	Flow control Valve (3/8)	1	
15	G1/2(in)	700080013	Combination gasket 21.54X28.58X2.49	1	
16	EFAGF140.023 a.	702680116	Tubing (L=3600)	1	
17	AGFR245-0000-04	709880004	Safety pin	1	
18	AGFR245-0600-00	809880069	Swing Arm Welds Part 2 (Type 200-245)	1	
19	1CB-18-06WD	700250036	Connector M18X1.5-G3/8	6	
20	LSP-18T-205	702710111	Valve outlet long connector	3	
21	G3/8 (in)	700050008	Combination washer 17.28X23.80X2.03	3	
22	GB5782-M24X110	501010832	Half-threaded bolts	1	
23	GB97.1-24	506010063	Flat pad	2	
24	DIN985-M24	503010769	Thin hexagon lock nut	4	
25	AGFR245-2600-00A	809820083	Swing the cylinder sideways	1	
26	VRDD-G3/8-12L-A	702710130	Two-way hydraulic lock	1	
27	AGF140.089	807690035	AGF steel pipe (with RL- 12/NL-18&12)	2	
28	JB982-16	510015240	Combination gasket M16	4	
29	700M-16	702990151	Sub	2	
30	EF100.00.111 a.	800920101	D square pin	2	
31	AGFR245-0400-00	809880062	Short support foot welds	2	
32	EFAGF140.107 a.	707690024	Push plate (type 200-245)	2	
33	AGFR245-1100-00	809880084	Moon Plate welds (type 200- 245)	1	
34	EFAGF200.235 - N	709820071	Cylinder spacer	1	
35	GB5782-M24X150	501010836	Half-threaded bolt	1	
36	EFAGF200.236 - N	709820072	Push plate spacer sleeve	1	
37	GB5783-M12X25	501011125	Full threaded bolts	1	
38	GB93-12	506030037	Spring Pads	2	
39	EFAGF140.103 a.	707690023	Washers (type 200-245)	1	
40	EFAGF140.102 a.	707690022	Lock piece (type 200-245)	1	
41	GB6170-M10	503010046	Hex nuts	2	
42	GB93-10	506030036	Spring Pads	2	
43	GB97.1-10	506010056	Flat pad	4	
44	GB5783-M10X40	501011115	Full thread bolts	2	
45	EFAGF200.034 - N	809820068	Push plate pin weld	1	

46	SF-2-110X115X60	511050224	Self-lubricating bearings	2	
47	GB5783-M12X30	501011126	Full threaded bolts	1	
48	AGFR245-2300-00	809880112	Swivel shaft welds (Type 200-245)	1	
49	SF-2-40X44X50	511050223	Self-lubricating bearings	8	
50	AGFR245-1200-00	809880085	Swing arm welds Part 1 (Type 200-245)	1	
51	EFAGF140.030	802680113	Movable hanger	1	
52	GB5782-M24X110	501010832	Half-threaded bolts	2	
53	EFAGF140.021 - N	809880122	Translation cylinder	1	
54	AGFR245-0100-00C	814700816	Reinforced suspension frame solder piece 20#	1	
55	GB97.1-8 -	506010055	Flat pad	2	
56	GB93-8	506030035	Spring Pads	2	
57	GB5782-M8X50	501010739	Half-threaded bolts	2	
58	GB93-14	506030038	Spring Pads	4	
59	GB97.1-14	506010058	Flat pad	4	
60	EFAGF140.105	702680004	End caps	1	
61	GB5783-M14X45	501011143	Full threaded bolts	4	
62	1BG-08-06	700250041	Sub G3/8-G1/2	1	
63	EFAGF140.023 J	702680133	Tubing (L=3600)	1	
64	AGFR245-0000-02	709880002	Transport fixing pin 1	1	
65	GB5783-M10x20	501011111	Full threaded bolts	4	
66	GB96.1-10	506010036	Extra flat mat	4	
67	AGFR245-2500-00	809820065	Fixed sleeve parts	4	

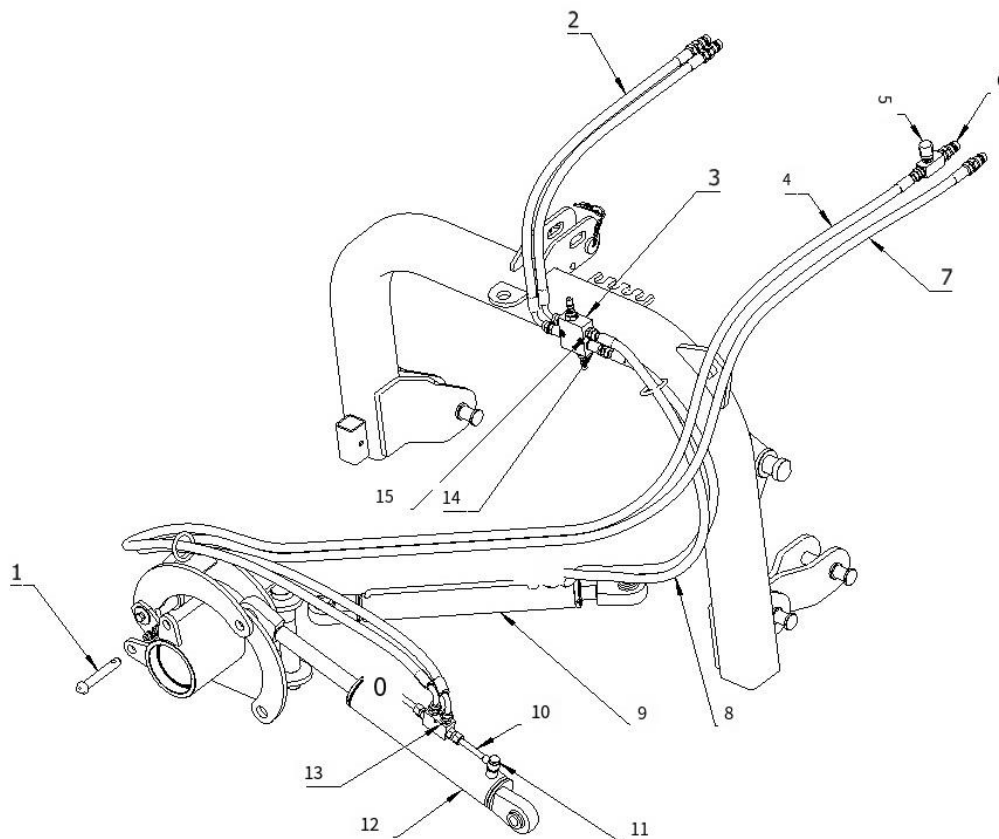
Knife shaft assembly



Knife shaft assembly					
Serial number	Part number	Article number	Name	Quantity	Remarks
1	GB1152-M10X1	509010009	Oil cup	1	
2	GB5783-M8x30	501011101	Full threaded bolts	6	
3	GB93-8	506030035	Spring Pads	6	
4	GB97.1-8 -	506010055	Flat gasket	6	
5	VM190.163 - N	709880021	Bearing seat nozzle cover (older model)	1	
	AGFA140-000-02	716330007	Nozzle cover (new model)	1	
	AGFA140-000-03	716330006	Paper pad for bearing seat (with new nozzle cap)	1	
6	GB5783-M12x45	501011129	Full threaded bolts	8	
7	AGFR245-0000-11	709880011	Left bearing seat	1	
8	GB97.1-12	506010057	Flat pad	15	
9	GB894.1-45	506060323	Retainer for A-shaft	1	
10	DIN985-M16	503010765	Thin hexagon lock nuts	20	
11	EFAG140.103	702480120	Small hoe (large)	20	
12	EFAG140.190	702480173	Tool bolt (M16X1.5X92)	20	
13	CFW-65X100X10	510020439	FB Type oil seal (in)	1	
14	GB893.1-100.	506060199	Retainer for A-holes	1	
15	GB288-21309-C	511011083	Self-aligning roller bearings	2	
16	VM190.111 - N	709820040	Right bearing seat	1	
17	GB93-12	506030037	Spring Pads	7	
18	GB5783-M12x30	501011126	Full threaded bolts	7	

19	CFW-45X80X8	510020444	FB Type oil seal (in)	1	
20	VM220.017 a.	807690025	Knife shaft welds (type 220)(L=2125)	1	
21	DIN985-M12	503010763	Thin hexagon lock nut	8	
22	CFW-65X90X10	510020626	FB type oil seal (in)	1	
23	GB893.1-80.	506060191	Retainer for A-holes	3	

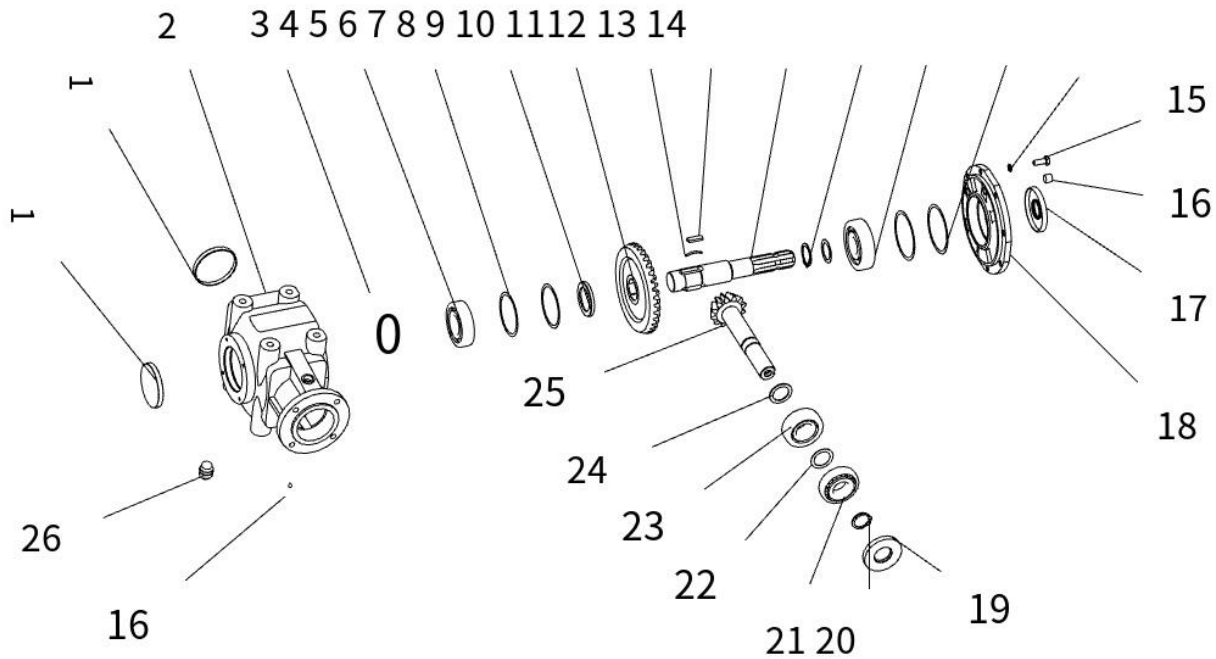
Cylinder parts



Cylinder parts					
Serial number	Part number	Article number	Part name	Quantity	Remarks
1	AGFR245-0000-02	709880002	Transport fixing pin 1	1	
2	EFAGF140.022 a.	702680118	Tubing (L=2000)	2	
3	VAU-G3/8-B	702710129	Two-way relief valve	1	
4	EFAGF140.023 J	702680133	Tubing (L=3600)	1	
5	FV10-1-10/2-G3/8	706590117	Flow control Valve (3/8)	1	

6	QUICK-COUPLING-G1/2-G	703820055	Quick change male joint G1/2	4	
7	EFAGF140.023 a.	702680116	Tubing (L=3600)	1	
8	EFAGF140.020 A - N	709880121	Short tubing (L=1300)	2	
9	EFAGF140.021 - N	809880122	Translation cylinder	1	
10	AGF140.089	807690035	AGF steel pipe (with RL-12/NL-18&12)	2	
11	GB3541 - M16X1.5	501014708	Hinged bolt	4	
12	EFAGF140.024	802680095	Swing the cylinder sideways	1	
13	VRDD-G3/8-12L-A	702710130	Two-way hydraulic lock	1	
14	LSP-18T-205	702710111	Valve outlet long connector	2	
15	1CB-18-06WD	700250036	Connector M18X1.5-G3/8	2	

200-245 Gear box parts (AGFR245-0300-00)



200-245 Gear box Parts (AGFR245-0300-00)					
Serial number	Part number	Article number	Part name	Quantity	Remarks
1	NFG-RCA-90X10	702650043	Plug Cap 90X10	2	
2	AG20.01. Our fleet	702480151	311 Shell	1	
3	GB893.1-90.	506060195	Hole with a stop ring 90	1	
4	GB276-6308	511022655	Deep groove ball bearing 6308	1	
5	TZDP - 90-79-0.4	702650041	Adjust gasket 90X79X0.4	2	
6	1 j - 180-053.02	706460023	Gasket 56X42X3	1	
7	AGFR245-0300-02	709880061	Large bevel gear	1	
8	AG14.01. C07	702480007	Slinky	3	

9	AG14.01. C06	702480006	key	3	
10	AGFR245-0300-01	709880060	Spline Shaft 1	1	
11	GB894.1-42	506060322	Retainer for shaft 42	1	
12	GB276-6407	511022680	Deep groove ball bearing 6407	1	
13	TZDP - 100-89-0.4	702650042	Adjust the gasket 100X89X0.4	2	
14	GB93-10	506030036	Spring pad 10	8	
15	GB5783-M10X25	501011112	Full threaded bolts	8	
16	ZBT32001.3 - ZG3/8-19"	516010003	Hexagon tapered plug	3	
17	CFW-35X90X10	510020438	FB type oil seal (in) 35X90X10	1	
18	AG20.01. C03	702480152	311 Housing cover	1	
19	CFW-35X80X10	510020399	FB type oil seal (in) 35X80X10	1	
20	JB4342-35	506060515	Retainer for thickening shaft 35	1	
21	GB297-30307	511016489	Tapered roller bearing 30307	1	
22	TZDP-48-35-1	701240035	Adjust the gasket 48X35X1	2	
23	GB297-32307	511016538	Tapered roller bearing 32307	1	
24	TZDP-48-35-2	701240036	Adjust gasket 48X35X2	1	
25	AG20.01. C01	702480150	Output shaft	1	
26	CBW-00-011B	705290211	ZG3/8 Vent plug Assy	1	