



Lancia Fulvia HF

Rally Montecarlo 1972



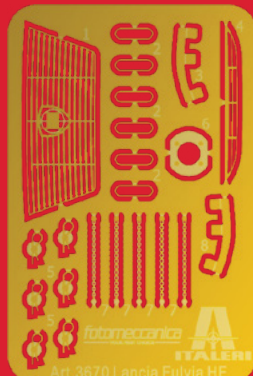
1:24 scale
échelle

No 3670

From Italy with fury!

The elegant sports coupé from the renowned Italian manufacturer Lancia achieved significant commercial success in the second half of the 1960s. Its striking design, impressive performance, and excellent price-to-quality ratio were key factors in its market appeal. From the standard road-going version, the legendary Lancia Fulvia HF was equipped with a longitudinal front-mounted 1,584 cc V4 engine. This model became a true icon of rally competitions of the era. The most celebrated version, which perfectly embodied both elegance and sportiness, was the 1.6 HF "Fanalone", distinguished by its oversized front headlights. The Fulvia HF claimed numerous victories in international rally competitions, culminating in Lancia's triumph in the 1972 International Championship for Manufacturers. Even today, the Lancia Fulvia HF is

regarded as a true classic of Italian automotive design from that era.



Super decal sheet and Photo-etched fret

Model Kit Features

- Photo-etched parts
- Chromed parts
- Super decals sheet

100%
NEW
MOULDS

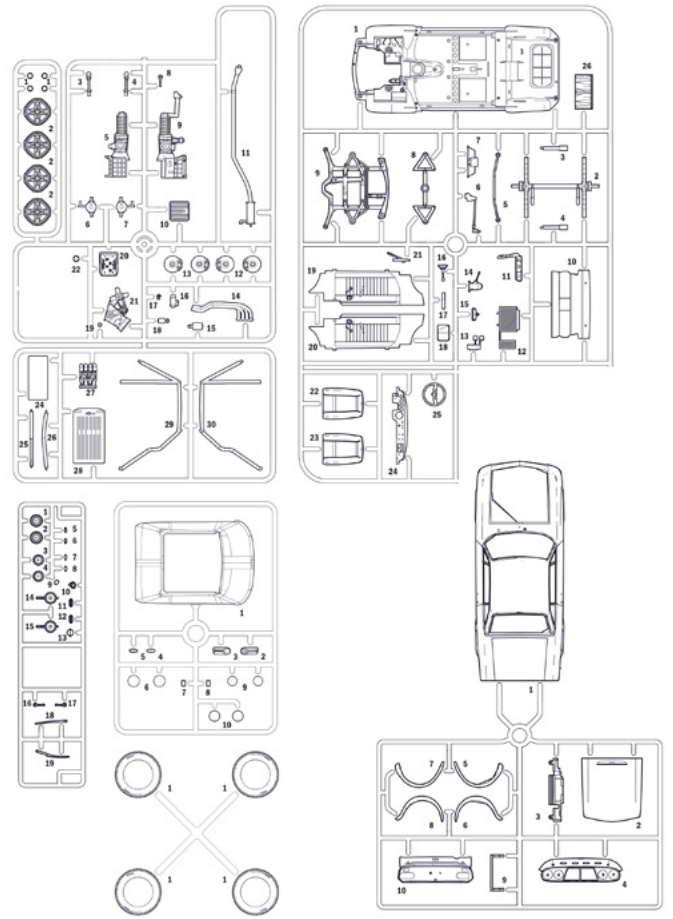


16.6 cm

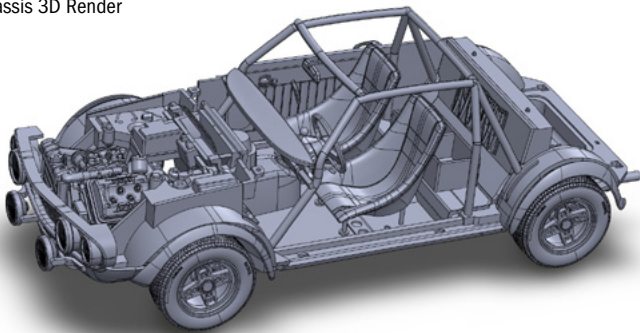
3D Render



Sprues outline



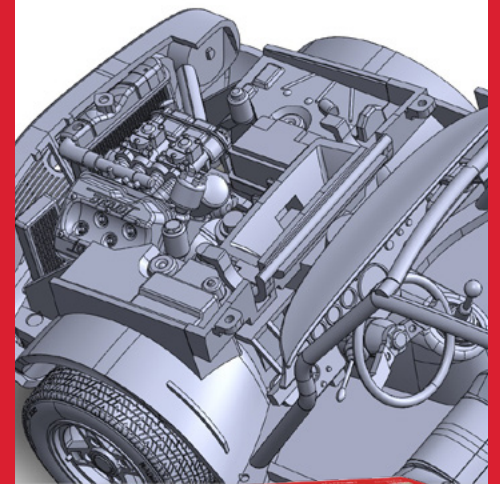
Chassis 3D Render



3D Render



Engine 3D Render



Lancia Fulvia HF,
Montecarlo 1972 Rally,
S. Munari - M. Mannucci

