


**AREAS OF USE**

Z-Wave  
 Regulator for waterbased heating systems  
 9 potential free relays  
 Valve exercise  
 Can control 230VAC actuators and 24V actuators from an external power supply  
 Can be used with Heatit thermostats in each heating zone  
 DIN-rail mounting  
 SmartStart  
 Connector for external antenna  
 Firmware update (OTA)  
 Supports encryption mode S0, S2 Authenticated Class, S2 Unauthenticated Class

Accessories: Heatit DIN Trafo 24V, Art. no. 54 304 57

**MAINTENANCE**

The device is maintenance-free. Indoor use only.

**AREAS OF USE**

The product must be used with a security-enabled Z-Wave Controller in order to fully utilize security/encryption.

Max load: 5A  
 Max load per relay: 1385VA/150W  
 Max relay current: 250VAC

Heatit Z-Water2 is incompatible with Heatit Z-Wave Gateway.

**PRODUCT INFO RETURN AND RECYCLING**

The product must be recycled as electronic waste.

**HEATIT Z-WATER2**

Z-Wave Regulator 868,4 MHz

**EI-nummer** 4512495

**GTIN** 7071236016458

Heatit Z-Water2 is a DIN-rail regulator for controlling waterbased heating systems. The module clips right onto a DIN-rail and allows you to control your waterbased heating through your Z-Wave network. Heatit Z-Water2 is equipped with 9 potential free relays for actuators. It also has 2 analog inputs for temperature sensors.

The Heatit Z-Water2 relays may be controlled by associations with other Z-Wave thermostats e.g Heatit. Each relay can control one or several actuators in your underfloor heating system.

**IOT / SMART HOME SPECIFIC DATA**

Z-Wave Frequency	Z-Wave - 868.4 MHz (EU)
Z-Wave Chip	Z-Wave 800 chip
Min radio frequency range	40m
Over The Air update (OTA)	Yes
Z-Wave encryption mode	S0 S2 Authenticated Class S2 Unauthenticated Class
Certifications	Z-Wave Plus

**ELECTRO TECHNICAL DATA**

Voltage	230V 50Hz
Max current	5A
Own power usage	0.4W
Ambient temperature range in use	5 til 40°C
Min. and max ambient humidity (RH%)	10 til 85%
Connection type	Screw clamps
Connection terminals diameter	0.2 til 2.5mm <sup>2</sup>
Max tightening torque connections	2N·m
Protection grade (IP)	IP20
Declarations	CE declaration

**INSTALLATION AND STORAGE DATA**

Ambient temperature range in storage	-30 til 70°C	Max installation temperature	40°C
Min installation temperature	5°C	Assembly / mounting location	DIN Rail
Storage Humidity Range	10 til 85%		

**PRODUCT DIMENSIONS**

Product width	105mm	Product height	58mm
Product length	86mm		

**LOGISTICAL DATA (F-PACK)**

Width	86mm	Height/diameter (ø/mm)	58mm
Length	105mm	Weight	186g
Unit	PCE	Quantity	1

**DISCLAIMER**

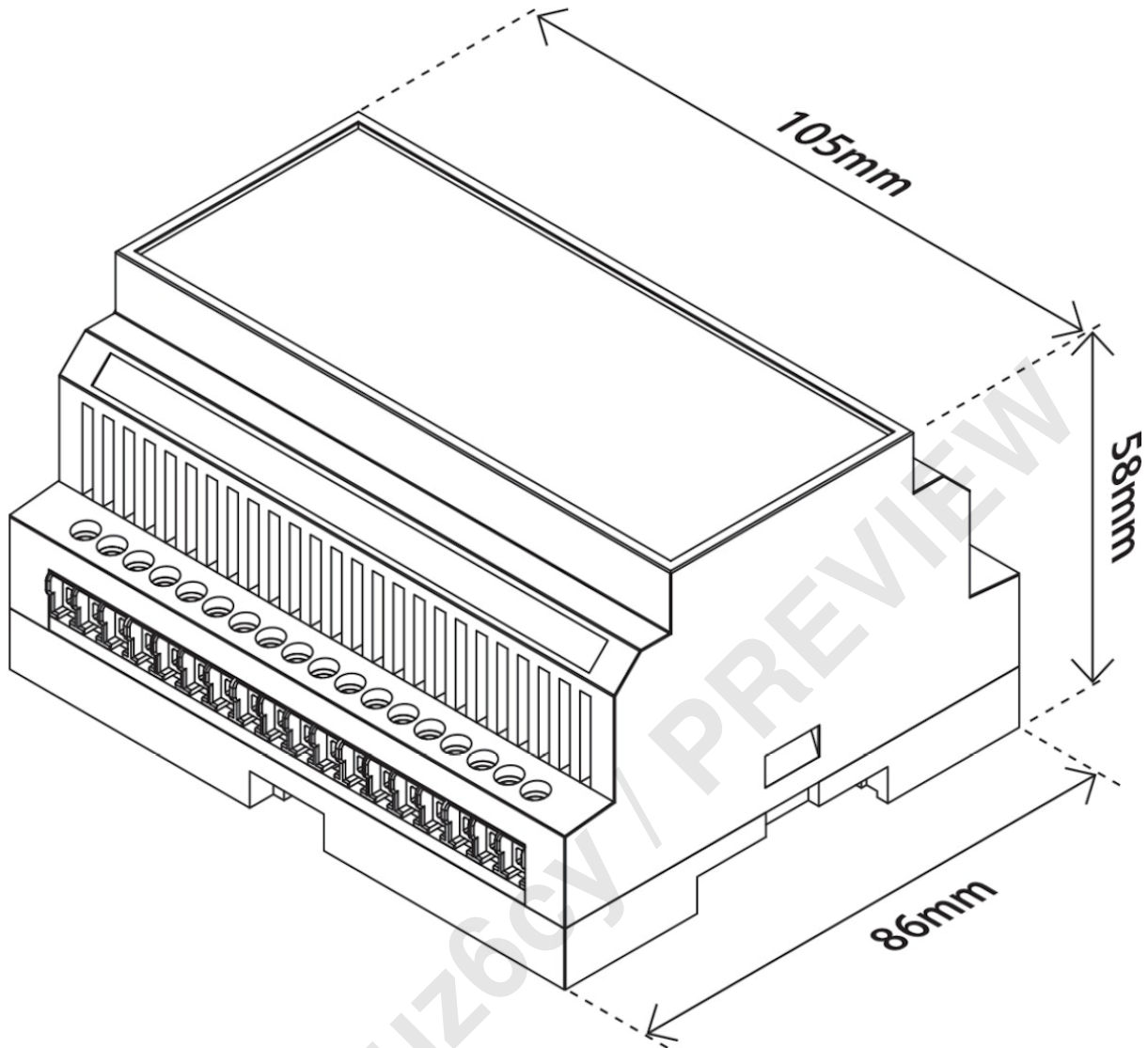
We develop and design our products according in accordance with our strict quality requirements (ISO 9001) and environmental requirements (ISO 14001).

All electrical installations must be carried out by an authorized electrical installer. The product must be installed in accordance with our installers manual and national building codes. Any wrongful installation, misuse, damage of the product, is not covered under warranty.

Updated documentation is available at [www.heatit.com](http://www.heatit.com) and/or [documents.heatit.com](http://documents.heatit.com)

Heatit Controls AB can not be held liable for any type of errors or omissions in our product information.

Product specifications may change without further notice.



**Heatit Z-Water2 can be ordered from [www.heatit.com/4512495](http://www.heatit.com/4512495)**

All additional documentation are available on the above adress and on [documents.heatit.com/4512495](http://documents.heatit.com/4512495)

