



AREAS OF USE

Z-Wave thermostat
 Internal room sensor
 External room sensor (wired by cable)
 Floor sensor
 Power regulator
 Temperature limiter
 3 modes: Heat, Cool and Eco
 SmartStart
 Temperature readout in gateway
 Weekly schedule in gateway
 Firmware update (OTA)
 Active power metering
 Hysteresis/PWM
 Relay status icon
 Adjustable display brightness
 Single pole switch
 Lock mode/child lock
 Temperature calibration
 Open window detection
 ZeroX detection
 Supports encryption modes S0, S2 Authenticated Class, S2 Unauthenticated Class

MAINTENANCE

The device is maintenance-free. Indoor use only.

AREAS OF USE

Approved to be used in bathrooms.

The product must be used with a security-enabled Z-Wave Controller in order to fully utilize security/encryption.

PRODUCT INFO RETURN AND RECYCLING

The product must be recycled as electronic waste.

HEATIT Z-TRM6 WHITE RAL9003

Z-Wave thermostat 3600W 16A 868,4 MHz

EI-nummer 5430566

GTIN 7071236018063

Heatit Z-TRM6 is an electronic thermostat designed for electrical heating. The thermostat can be controlled through your Z-Wave network or via the buttons on the front. The thermostat has a user friendly interface.

Heatit Z-TRM6 has 3 modes; Heat - Cool and Eco.

The thermostat fits in standard European junction boxes and may be used with most System 55 frames. It has a sturdy metal frame for secure fastening on the junction box. The thermostat has one built-in room temperature sensor. Two additional external temperature sensors may also be connected.

Heatit Z-TRM6 has active power metering and it gives you real time information about your power consumption. It also allows you to set the power metering value manually in case of connection with a contactor.

The thermostat can be set up with multiple associations and can be used as a master thermostat. It can also control external relays and wall plugs.

IOT / SMART HOME SPECIFIC DATA

Z-Wave Frequency	Z-Wave - 868.4 MHz (EU)
Z-Wave Chip	Z-Wave 800 chip
Min radio frequency range	40m
Over The Air update (OTA)	Yes
Push buttons	3
Temperature measurement range	5 til 40°C
Z-Wave encryption mode	S0 S2 Authenticated Class S2 Unauthenticated Class
Certifications	Z-Wave Plus v2

ELECTRO TECHNICAL DATA

Voltage	230V 50Hz
Max load (resistive load)	3600W
Max current	16A
Own power usage	2W
Switch type	One-pole switch
Ambient temperature range in use	5 til 40°C
Min. and max ambient humidity (RH%)	10 til 85%
Connection type	Screw clamps
Connection terminals diameter	1.5 til 2.5mm ²
Max tightening torque connections	2N-m
Protection grade (IP)	IP21
Declarations	CE declaration

THERMOSTAT DATA

Compatible NTC-sensors (kΩ @ 25°C)	10, 100, 12, 15, 22, 33, 47, 6.8
Effect regulator	Timed cycle 0-30 minutes
Error margin temperature	0,5°C
Temperature sensitivity	Temperature sensitivity ±0,5
Hysteresis	0,3 to 3,0 (default hysteresis 0,5)
Regulation temperature	5 til 40°C
Ohm value at 25°C	10Ω

INSTALLATION AND STORAGE DATA

Ambient temperature range in storage	-30 til 70°C	Max installation temperature	40°C
Min installation temperature	5°C	Assembly / mounting location	European Junction Box

PRODUCT DIMENSIONS

Product width	84mm	Product height	45mm
Product length	84mm	Product weight	135g

CUSTOMS TARIF NUMBER

Customs number	90321000
----------------	----------

LOGISTICAL DATA (F-PACK)

Width	90mm	Height/diameter (ø/mm)	70mm
Length	90mm	Weight	165g
GTIN f-pak	7071236015239	Unit	PCE
Quantity	1		

LOGISTICAL DATA (M-PACK)

Width	395mm	Height	130mm
Length	575mm	Weight	6200g
Unit	PCE	Quantity	25

DISCLAIMER

We develop and design our products according in accordance with our strict quality requirements (ISO 9001) and environmental requirements (ISO 14001).

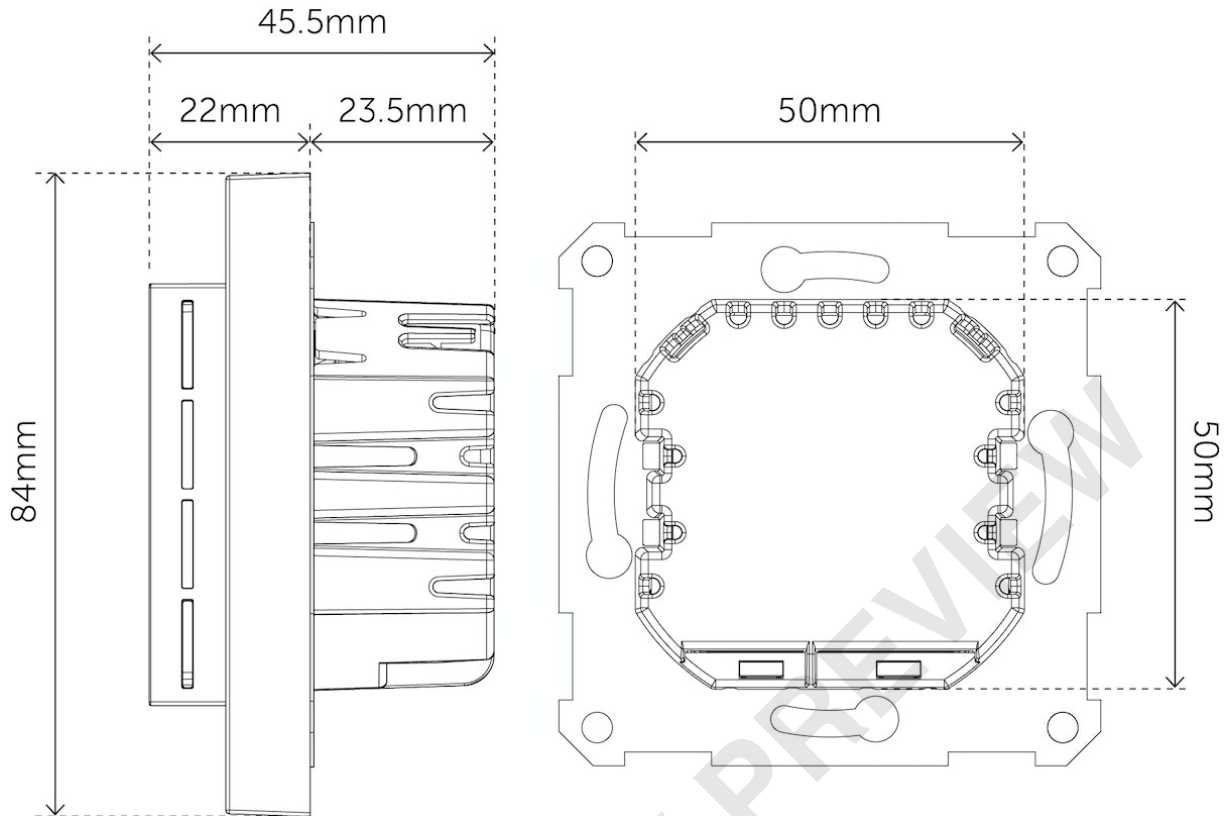
All electrical installations must be carried out by an authorized electrical installer. The product must be installed in accordance with our installers manual and national building codes. Any wrongful installation, misuse, damage of the product, is not covered under warranty.

Updated documentation is available at www.heatit.com and/or documents.heatit.com

Heatit Controls AB can not be held liable for any type of errors or omissions in our product information.

Product specifications may change without further notice.

The device can withstand a load of max 16A/3600W at 230VAC. We recommend a contactor for loads above 13A.



**Heatit Z-TRM6 White RAL9003 can be ordered from
www.heatit.com/5430566**

All additional documentation are available on the above adress and on documents.heatit.com/5430566

