


**HEATIT ZIG DIM 250W WHITE RAL 9003**

Zigbee rotary dimmer

**EI-nummer** 1444420

**GTIN** 7071236016915

Heatit Zig Dim is a ZigBee rotary dimmer for many different types of light fixtures. The dimmer works on most low loads without causing flickering. Heatit Zig Dim is very well suited for LED.

The dimmer is equipped with an external momentary switch option. This allows you to dim and turn on/off the light.

The dimmer fits in European wall boxes and can be used with most frames that are adapted to System 55.

**AREAS OF USE**

ZigBee rotary dimmer  
 2-wire  
 5W - 250W LED  
 Rotary and push dimming  
 Nemko certified  
 Trailing edge  
 Overload protection  
 Short circuit protection  
 Surge protection  
 Overheat protection  
 External momentary switch  
 Min. dim level adjustable  
 Max dim level auto-calibration

**MAINTENANCE**

The device is maintenance-free. Indoor use only

**AREAS OF USE**

Dimming may be challenging, and we recommend checking the compatibility of different light sources before installation.

When connecting low loads it is recommended to use a bypass.

Working frequency 2.4GHz. Max output power 12,49dBm.  
 The distance between user and products should be no less than 20 cm.

**PRODUCT INFO RETURN AND RECYCLING**

The product must be recycled as electronic waste.

**IOT / SMART HOME SPECIFIC DATA**

Alternate IoT-communication protocols	ZigBee 3.0
Min radio frequency range	40m
Over The Air update (OTA)	Yes

**ELECTRO TECHNICAL DATA**

Voltage	230V 50Hz
Power	5 til 250W
Ambient temperature range in use	5 til 40°C
Min. and max ambient humidity (RH%)	10 til 85%
Method of regulation	Push and Rotary Dimming
Connection type	Screw clamps
Connection terminals diameter	0.2 til 2.5mm <sup>2</sup>
Max tightening torque connections	2N·m
Protection grade (IP)	IP21
Declarations	CE declaration


**INSTALLATION AND STORAGE DATA**

Ambient temperature range in storage	-30 til 70°C	Max installation temperature	40°C
Min installation temperature	5°C	Assembly / mounting location	European Junction Box

**PRODUCT DIMENSIONS**

Product width	84mm	Product height	84mm
Product length	43mm	Product weight	79g

**LOGISTICAL DATA (F-PACK)**

Width	94mm	Height/diameter (ø/mm)	70mm
Length	90mm	Weight	139g
Unit	PCE	Quantity	1

**LOGISTICAL DATA (M-PACK)**

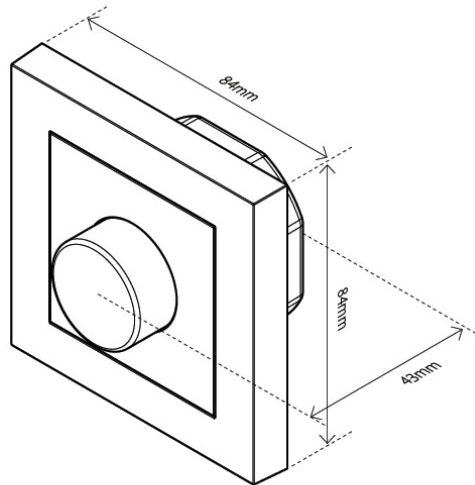
Width	205mm	Height	105mm
Length	375mm	Weight	1650g
Unit	PCE	Quantity	10

**DISCLAIMER**

We develop and design our products according in accordance with our strict quality requirements (ISO 9001) and environmental requirements (ISO 14001).

All electrical installations must be carried out by a authorized electrical installer. The product must be installed in accordance with our installers manual and national building codes. Any wrongful installation, misuse, damage of the product, is not covered under warranty.

Heatit Controls AB can not be held liable for any type of errors or omissions in our product information. Product specifications may change without further notice.



**Heatit Zig Dim 250W White RAL 9003 can be ordered from  
[www.heatit.com/1444420](http://www.heatit.com/1444420)**

All additional documentation are available on the above adress and on [documents.heatit.com/1444420](http://documents.heatit.com/1444420)

