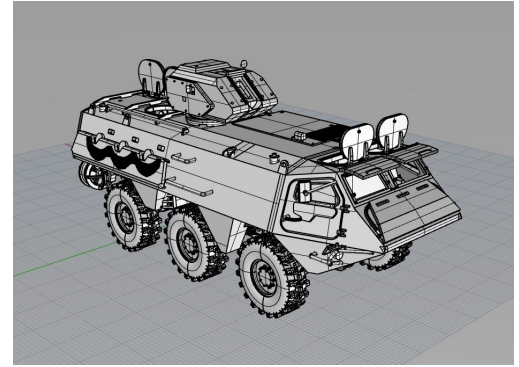


Combat Models

malliharrastajan tavaratalo

FinMilModels
Patria



Finnish Sisu XA-180 "Pasi" armored personnel carrier
1/72 scale model kit

To build this kit, you need a hobby knife, small side cutters, sandpaper or file and plastic glue. We recommend to use Tamiya "green cap" glue.

If you use metal parts from PE sheet use cyanoacrylate or acrylic glue.
"Normal" plastic glue will not work on metal.

Kit contains 5 different sprues: A, B, C, D and E

Sprue A and D have part for body and underframe.

Sprue B has detailing parts

Sprue C contains wheels

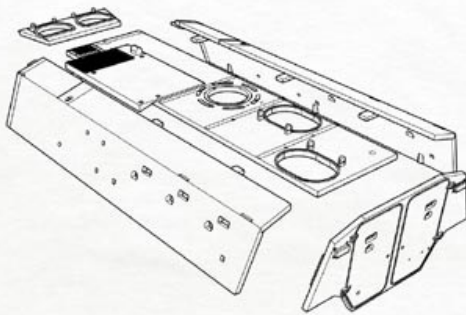
Sprue E has parts for axles

Patria PM127 turret in small bag (if included)

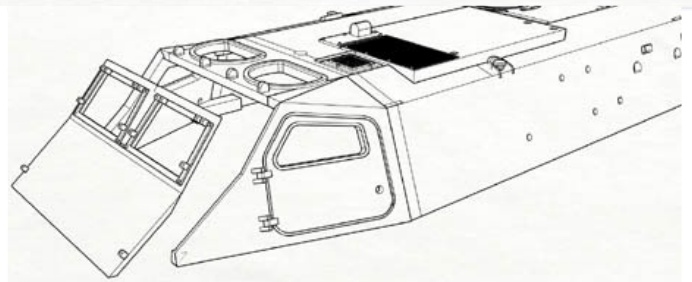
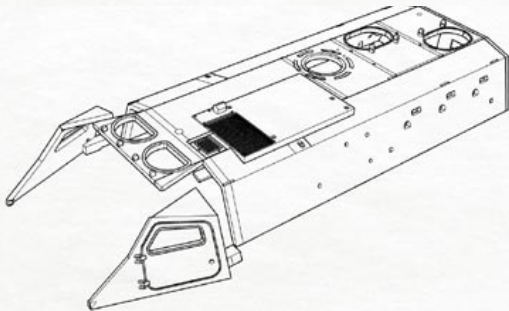
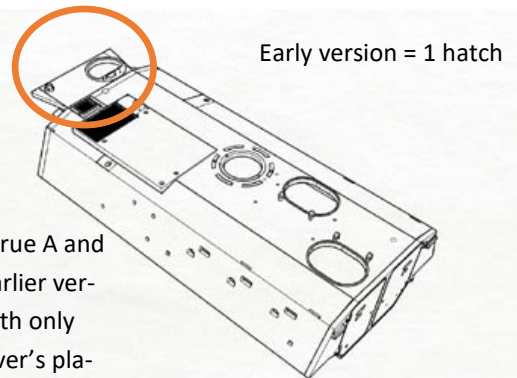
For painting and markings see separate instruction.



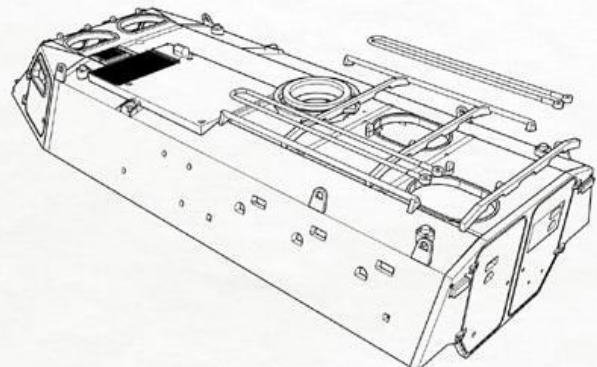
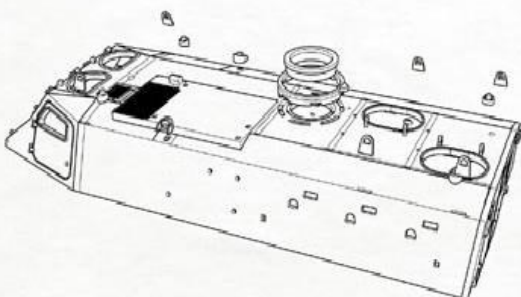
**Read instructions through before starting to build XA-180. Please be careful when you cut parts!
This kit can be built into several different versions, not all parts are used. See last pages for details.**

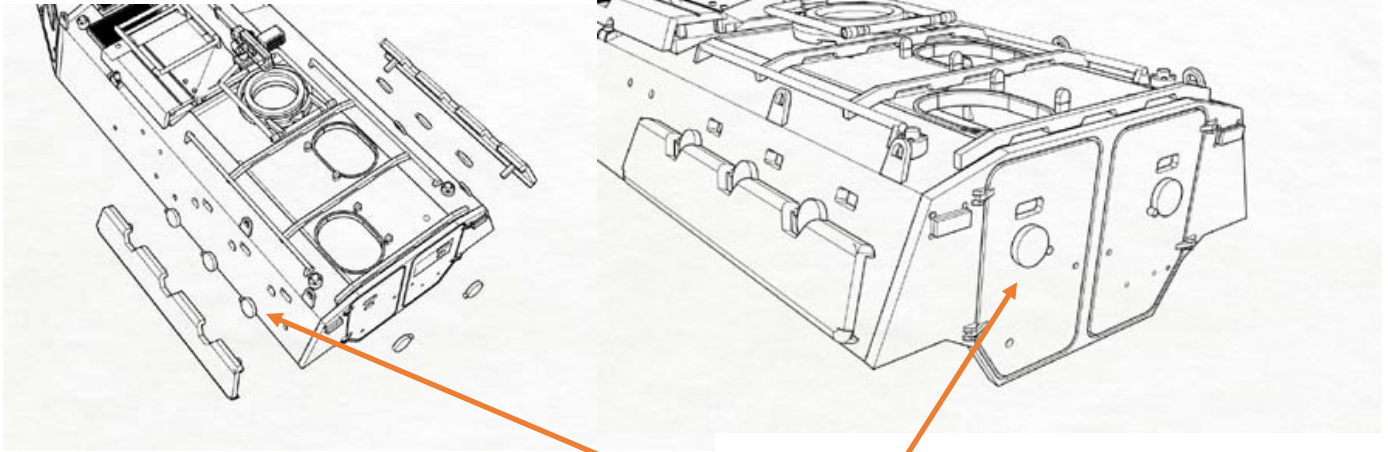


Body parts are on sprue A and D. If you build the earlier version use roof part with only one hatch above driver's pla-

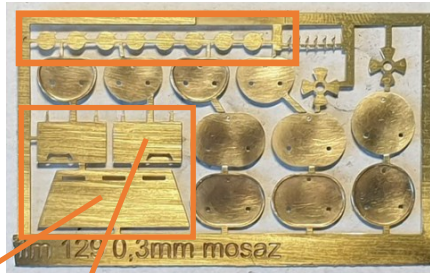


Machine gun turret and detail parts from sprues B and E. Note that some versions may not have machine gun or middle top hatch! See last page for details.

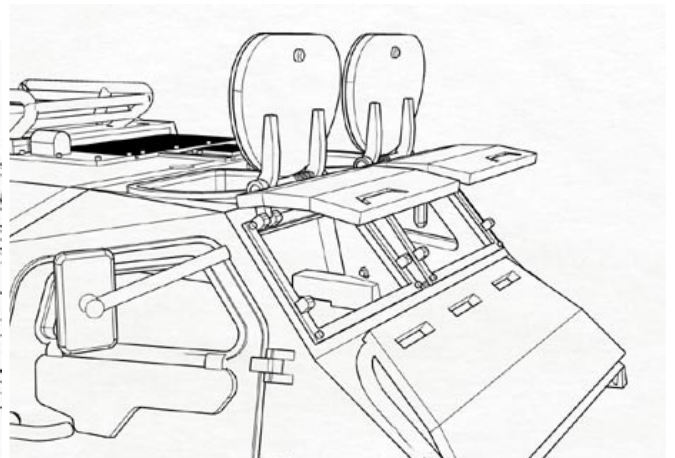
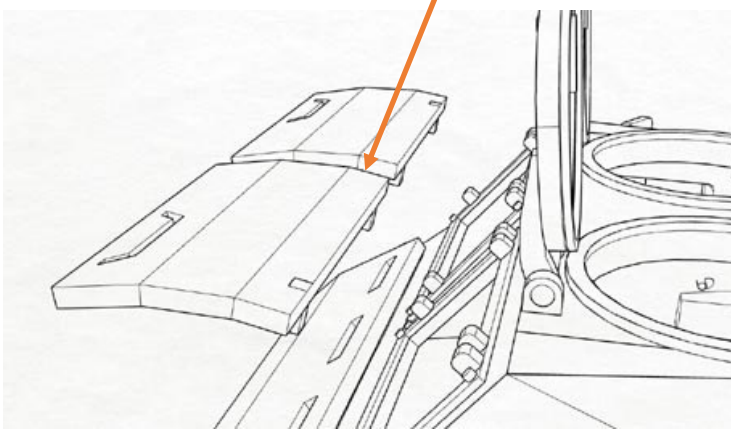
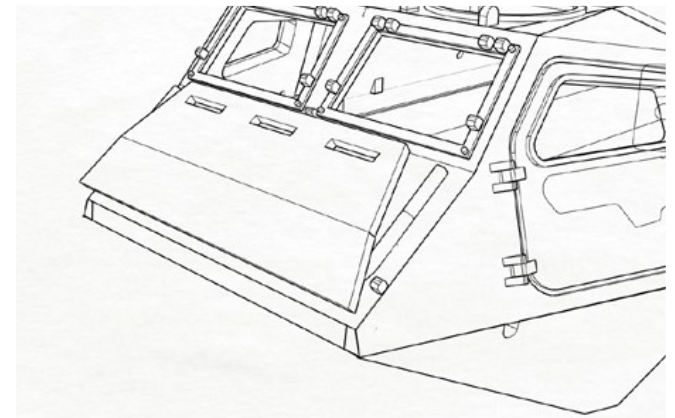
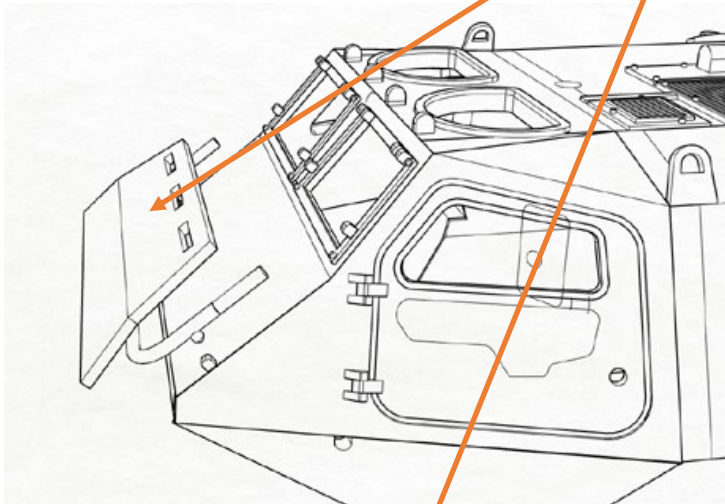




Note:
Do use acrylic or CA glue for
metal parts!



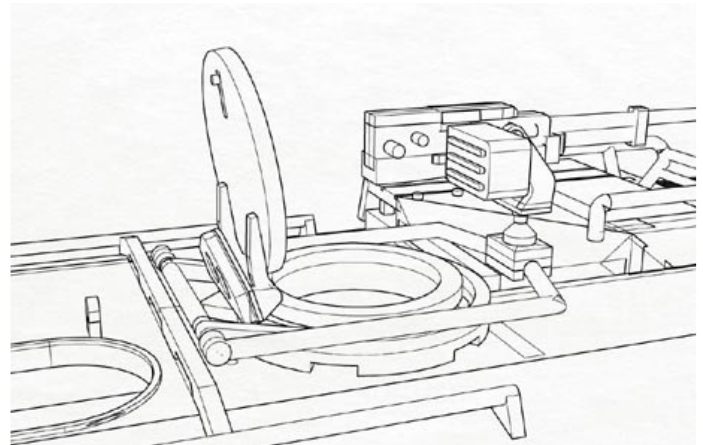
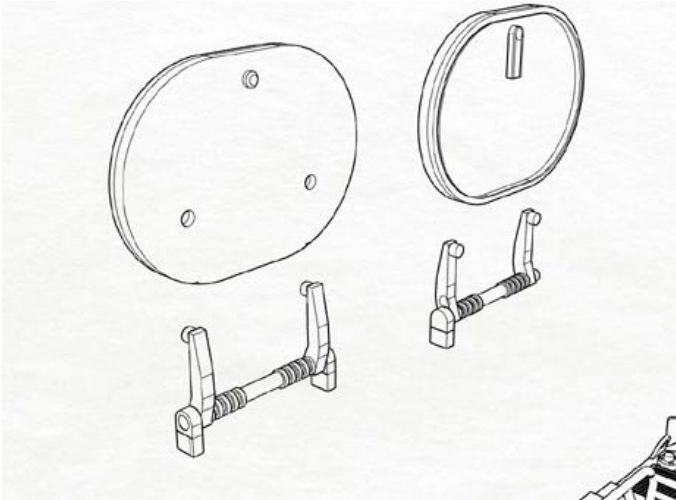
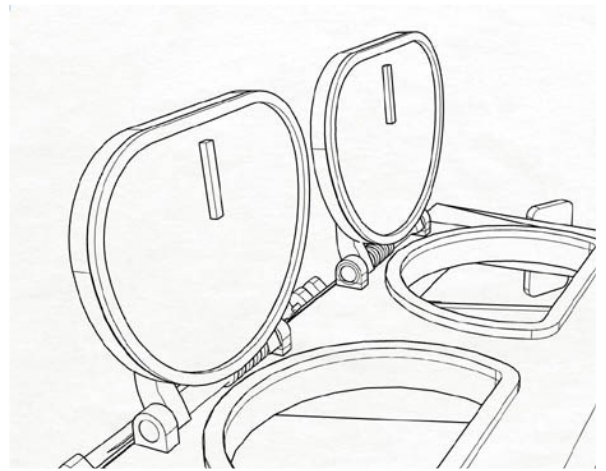
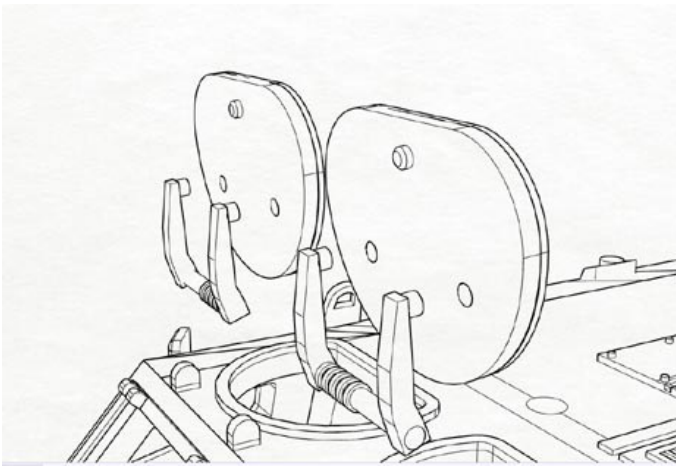
Firing port, extra armor and
snow chains from sprues A and
B. Note! You can also use separately
sold PE sheet for some
details.



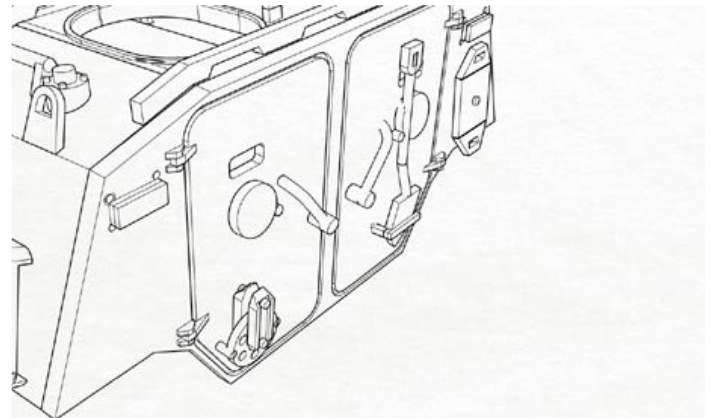
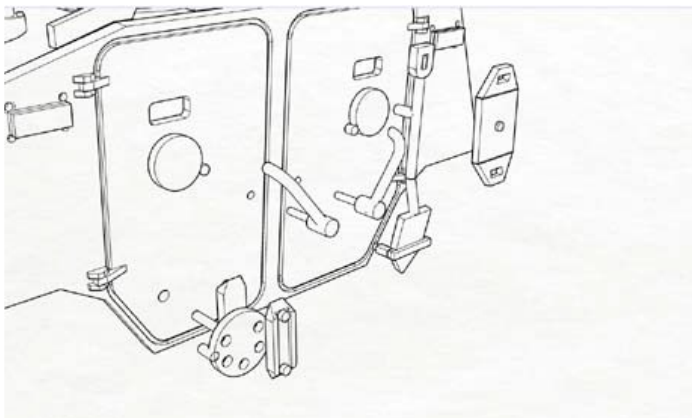
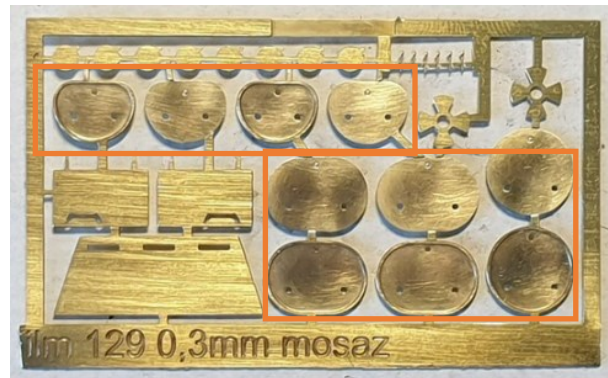
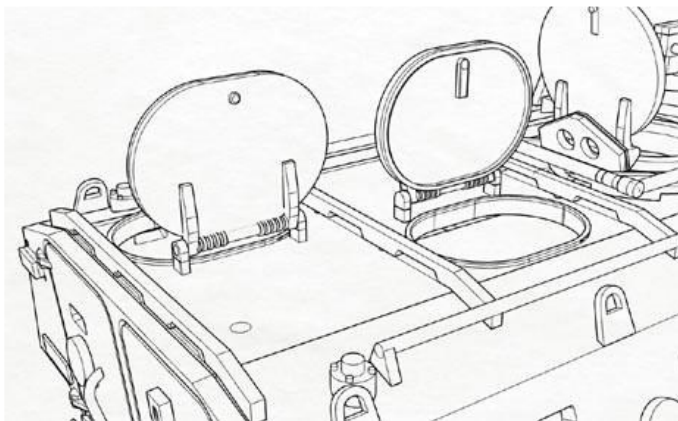
Front armour/splash guard from sprue B

Window armour from sprue B. Can be built open or closed. Note that some UN vehicles had splash guard plate removed.

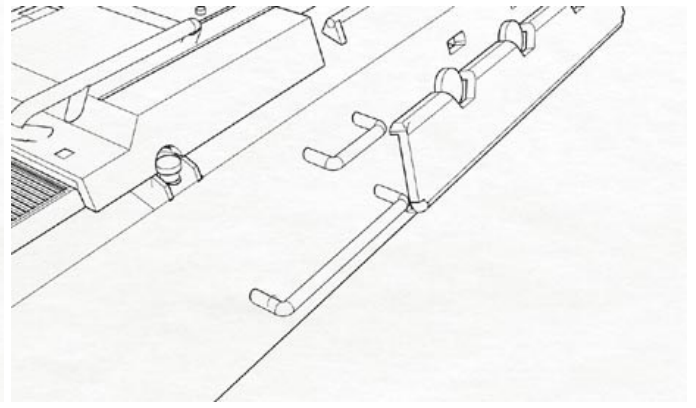
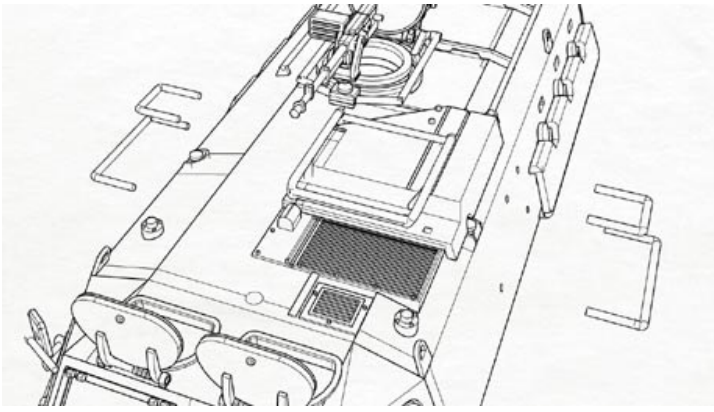
You can also use PE parts from separate sheet.



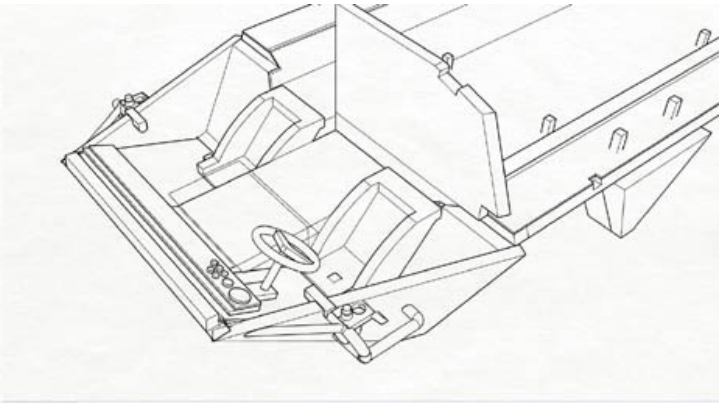
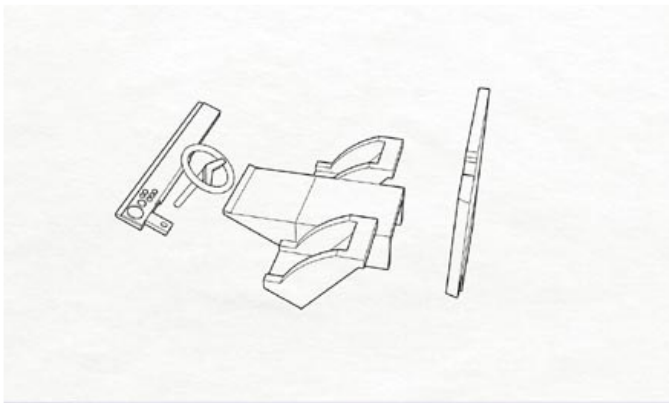
All hull top hatches are on sprue A. If you build model with hatch closed you may need to file the hatch collar from hull a little lower. You can also use PE sheet hatches with kit hinges



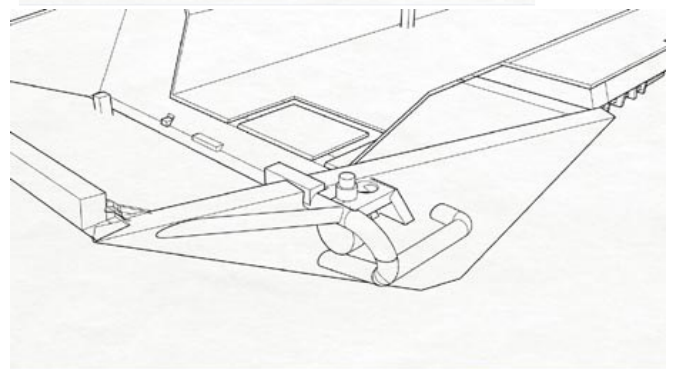
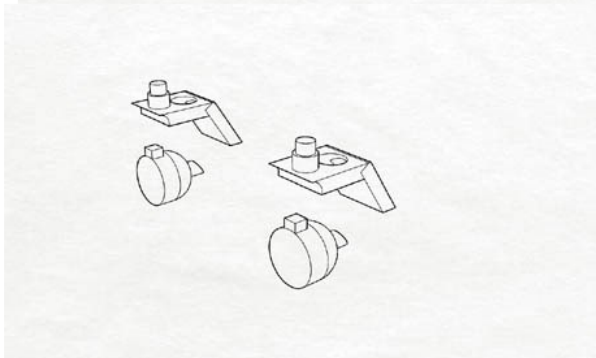
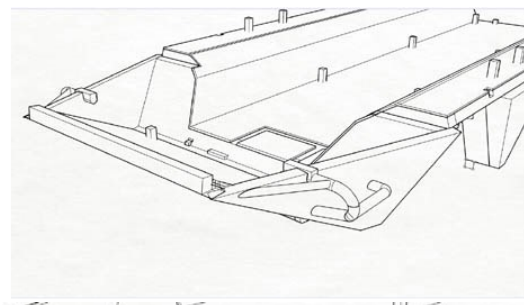
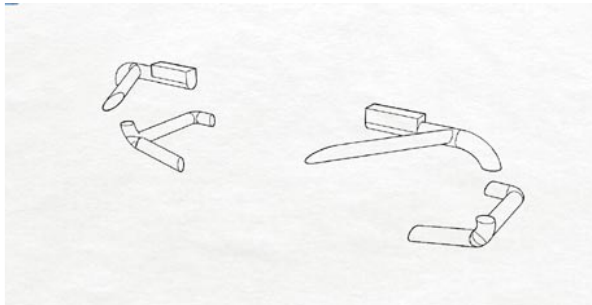
Hull rear details, sprue B. Note that rear hatch handles may go over some decals, if needed fit handles last



You can also use metal wire should you want finer details for side ladders. Note that some versions may have decals positioned under the side ladders/handles, take this into account when attaching parts.

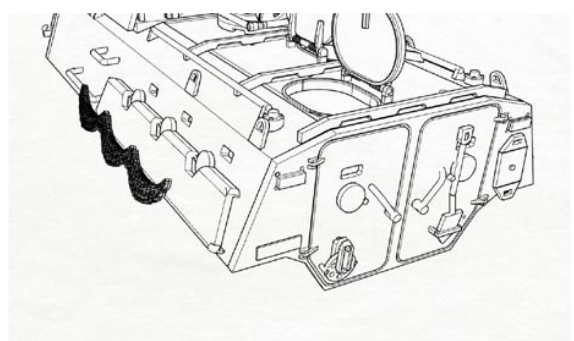


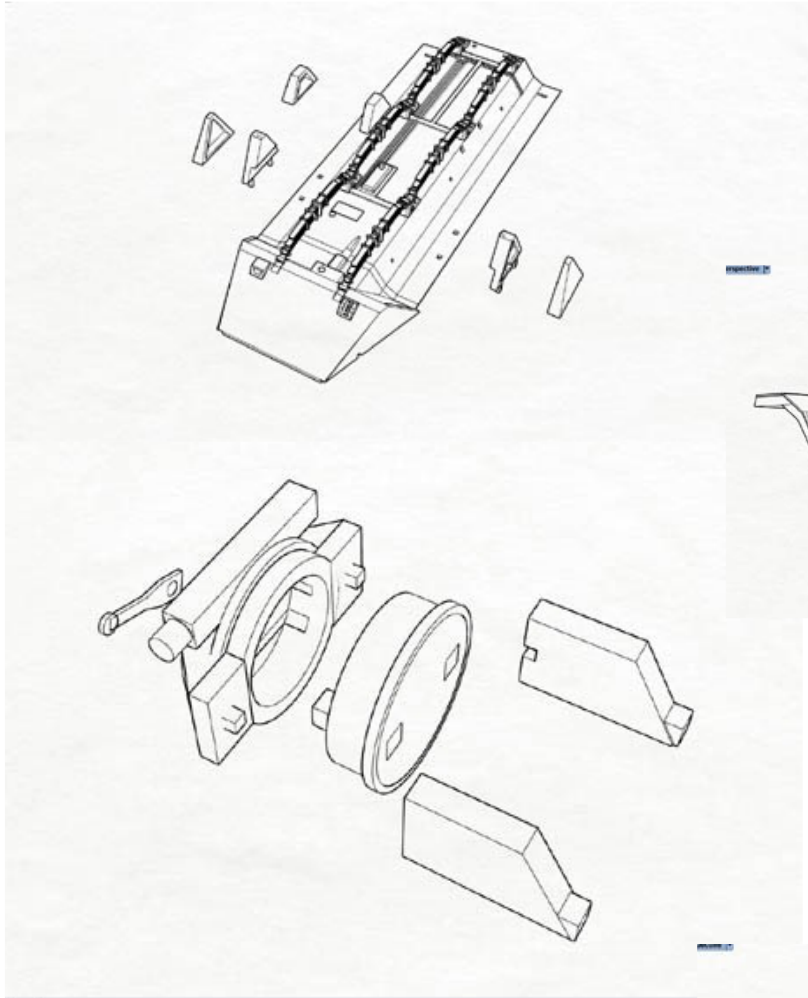
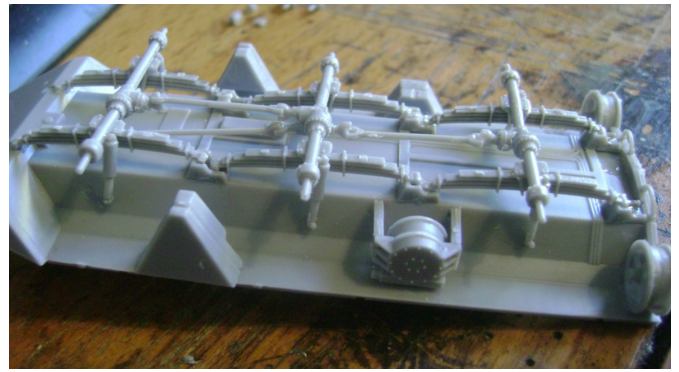
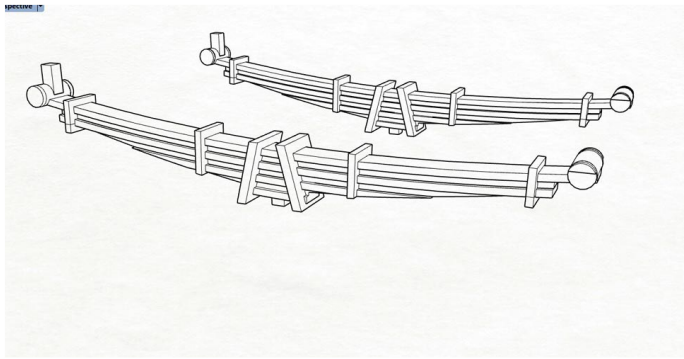
Drivers compartment, sprues A and B



Headlights and headlight protection bars from sprue B

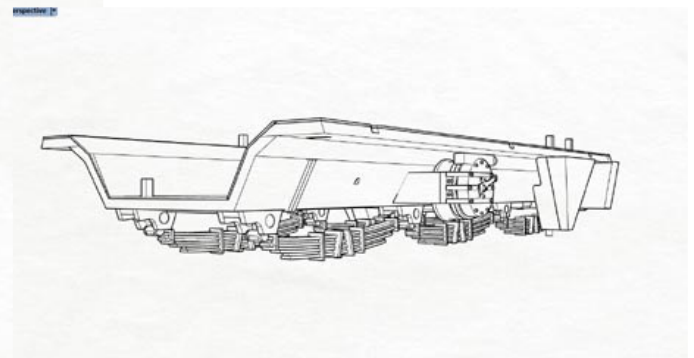
Snow chains from sprue C. Note that some UN vehicles do not have these on.



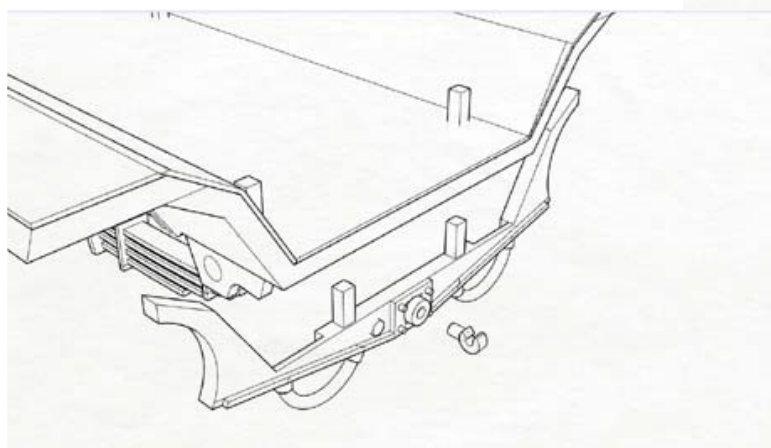
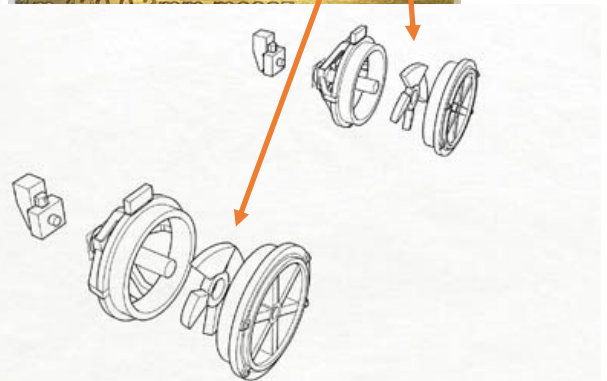
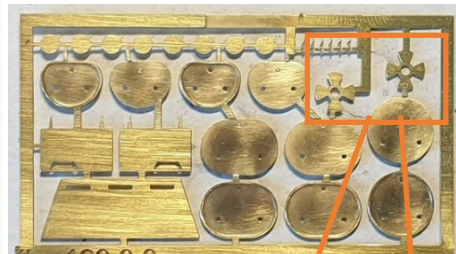


Springs and spring attachments from sprue E and undercarriage details from sprue B. See picture above.

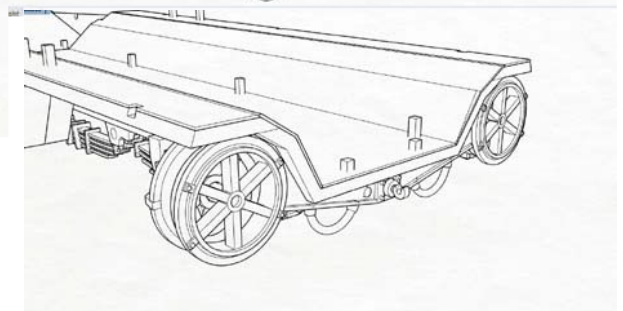
You can bend the springs a little should you wish, see picture top right.



Winch from sprue B



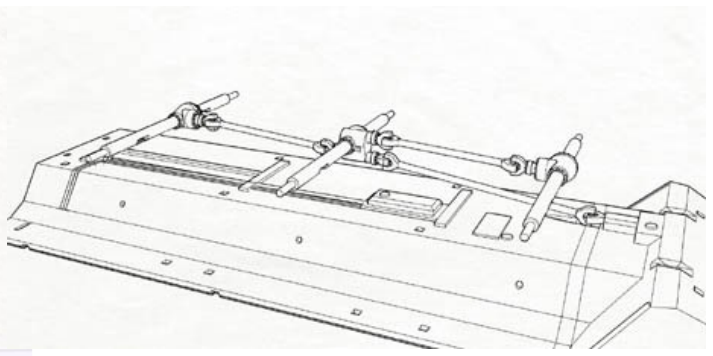
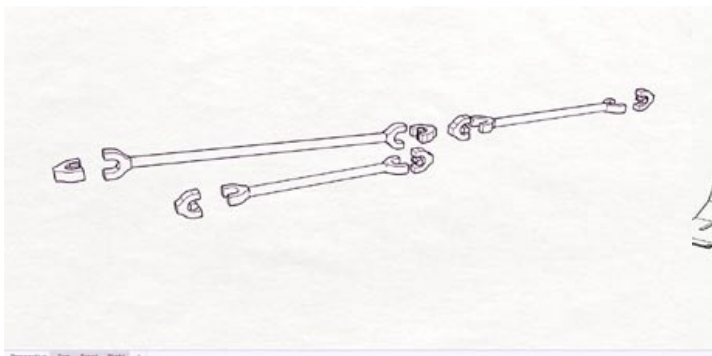
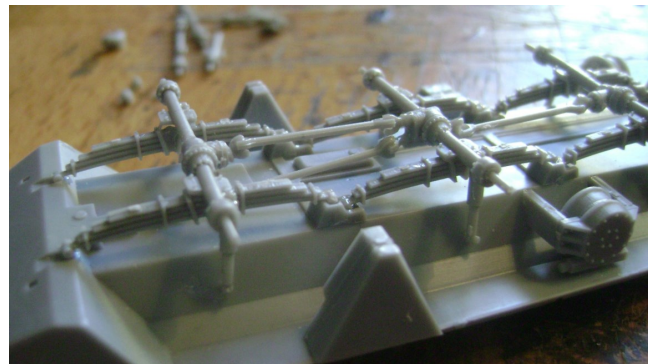
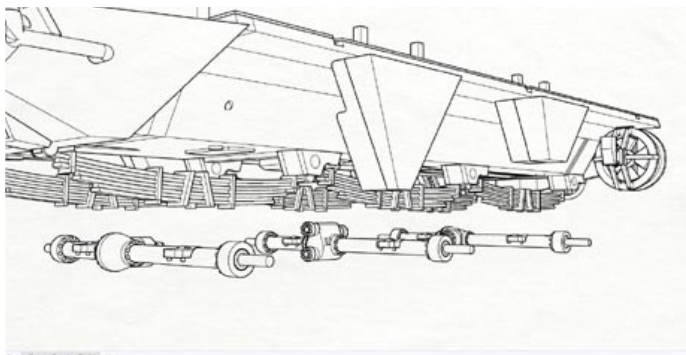
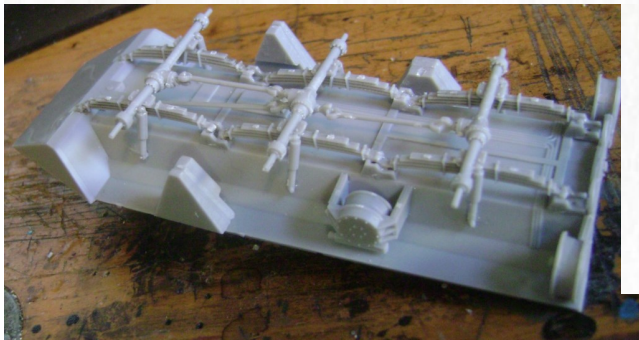
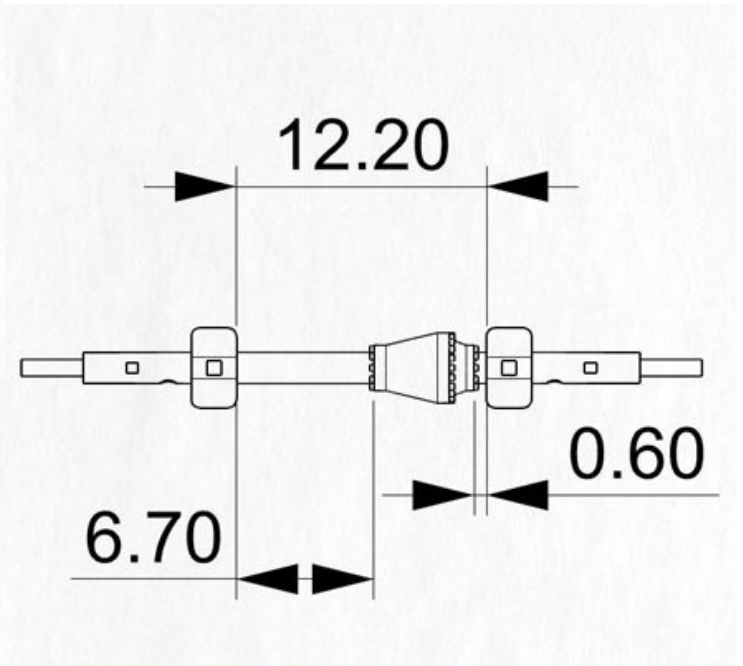
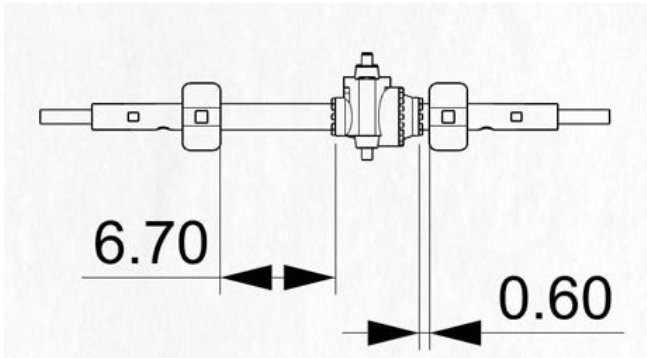
Rear plate details and propellers from sprue B—note that many UN vehicles had these removed! You can also use metal propellers from PE sheet

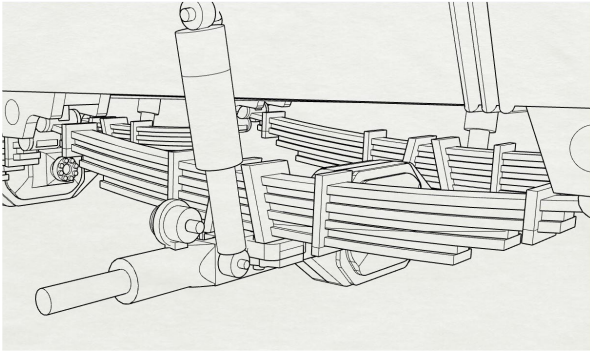




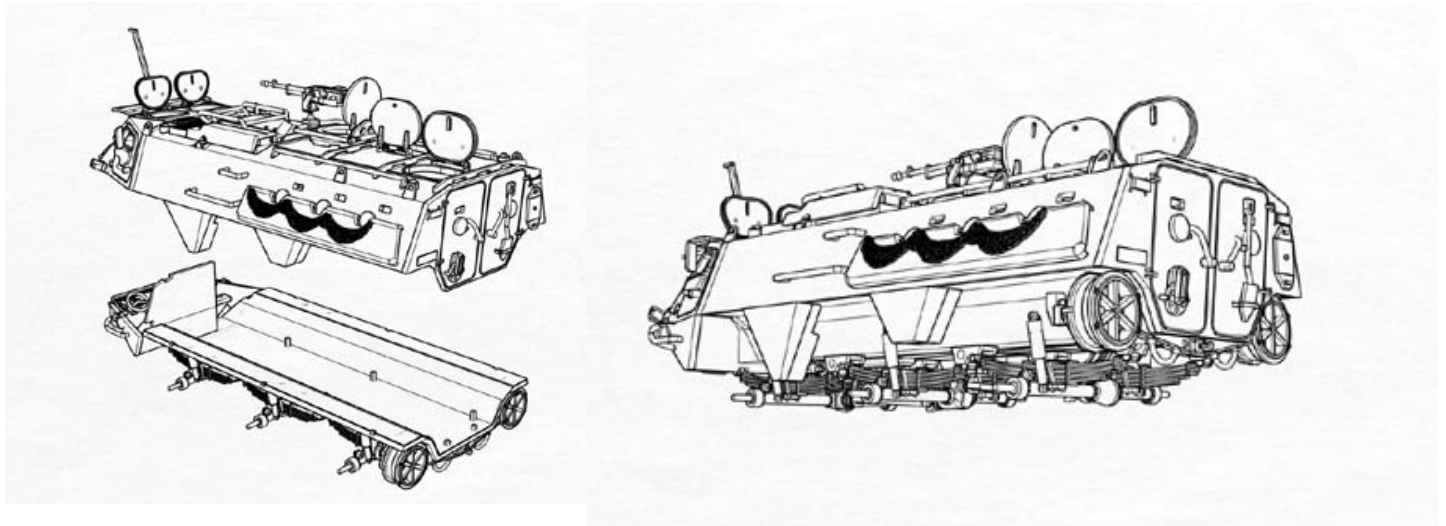
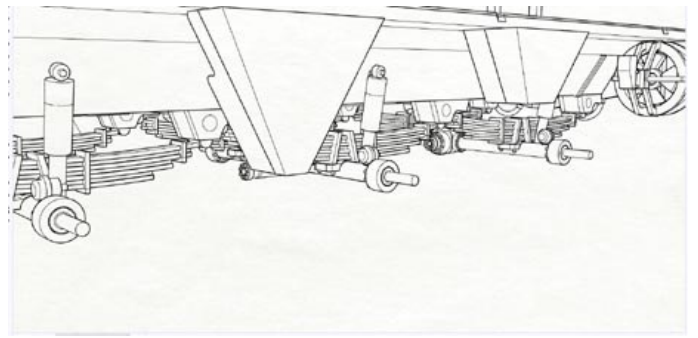
All axle parts and differential gear are on sprue E. To fit all differential gear details you must cut the axle 3-40mm from right side, add differential and glue axles together, Notice, that you measure length of the axle (see mm measurements below).

Should you wish to skip this step just glue the axles on, differential gear and cardan shafts will not show that much from below the ready vehicle.



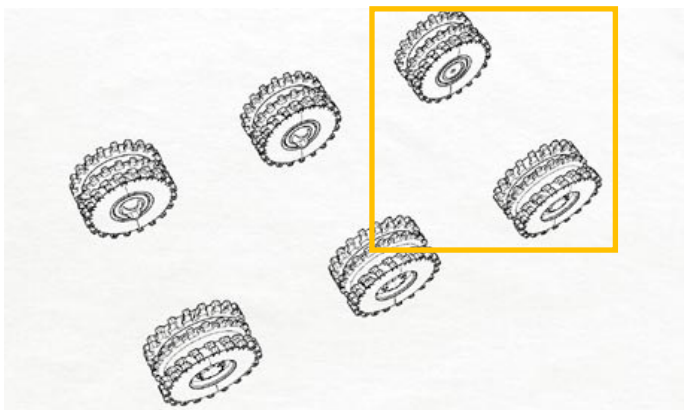


Shock absorbers and brake drums from sprue B



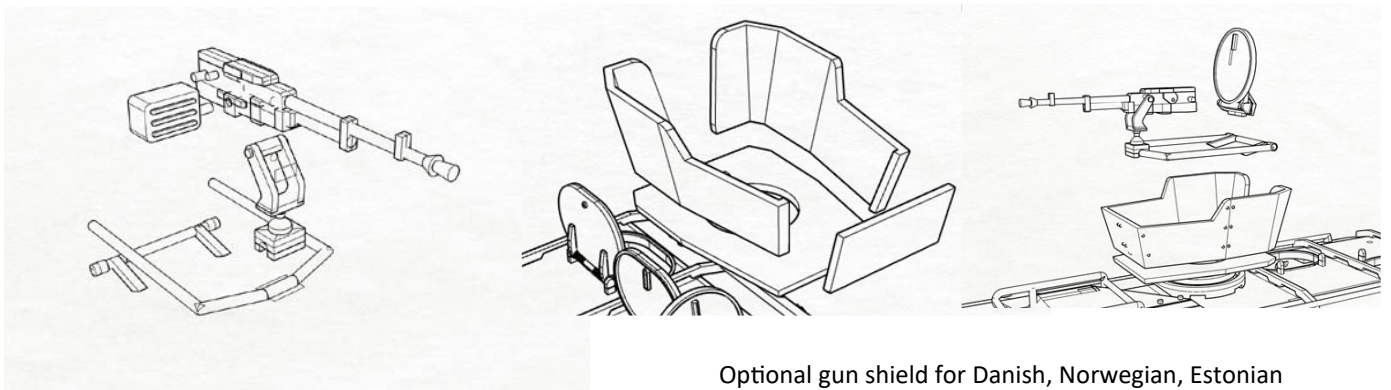
Connecting upper and lower hulls. Be careful when joining the parts.

Before gluing the parts together make window glasses from clear plastic sheet.



Wheels are assembled in layers to create authentic tire pattern.

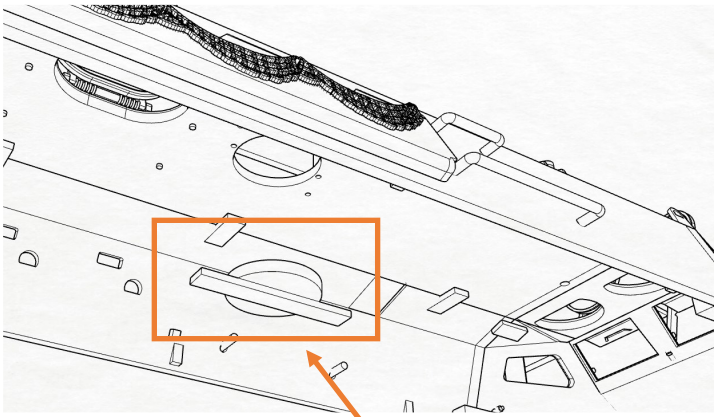
Every wheel has inner, middle and outer part. Middle and outer parts are identical on all 6 wheels, but rear axle inner part is different as rear axle is not steerable.



Machine gun for top hatch. Note that if you use gun turret skip this step!

Optional gun shield for Danish, Norwegian, Estonian and Swedish vehicles.

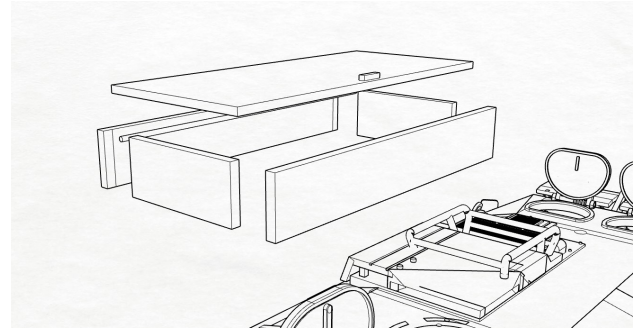
Shield parts are from sprue D, gun from sprue B.



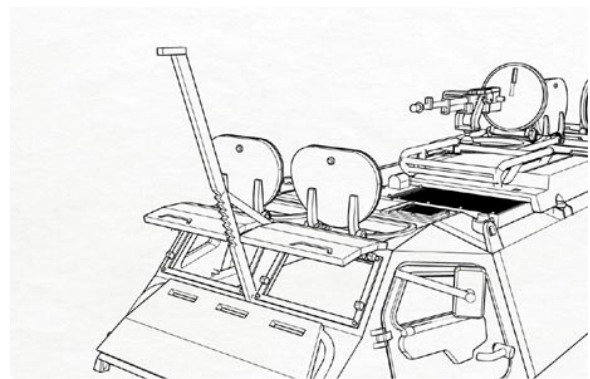
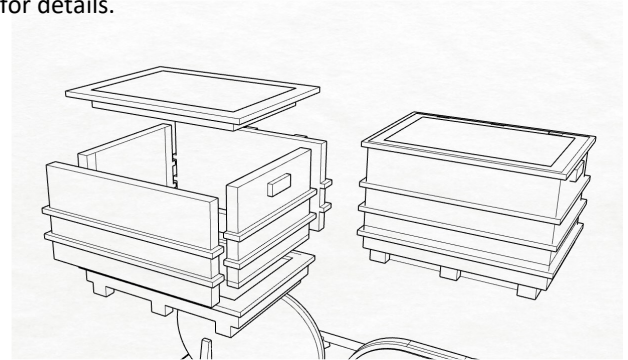
Ambulance version:

Use part from sprue D to close hull top hatch from below.

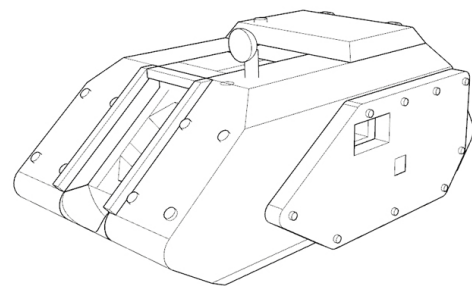
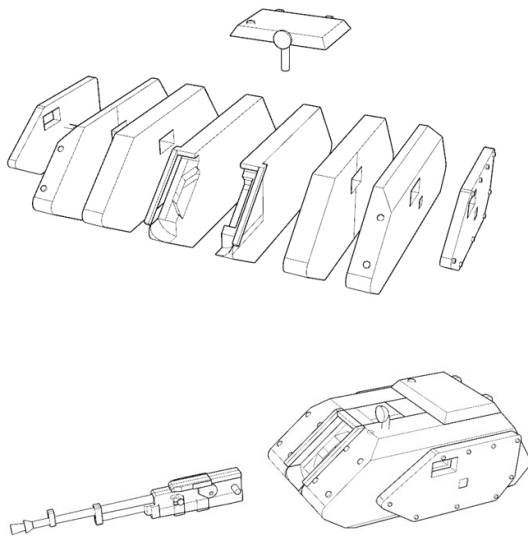
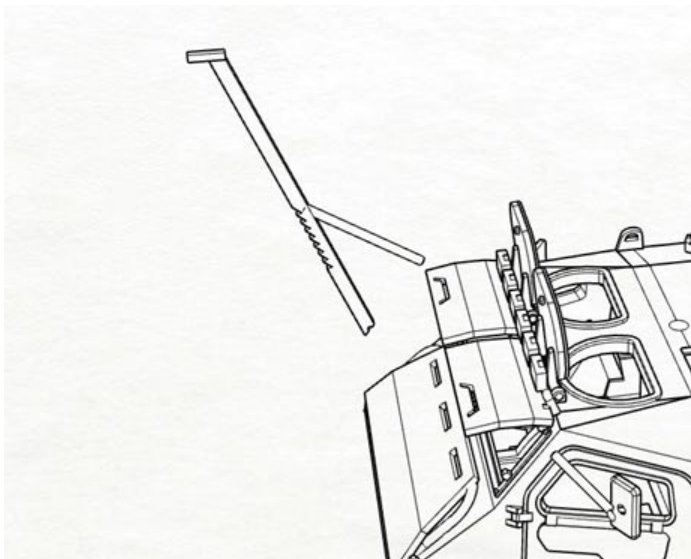
Ambulance emergency lights are on sprue E.



Select either one large or two smaller boxes for ambulance version. Found from sprue D. See marking instructions for details.



Optional wire cutter and extra lights from sprue E can be used in several versions.



Optional Patria PM127 turret for UN and other peacekeeping versions. Fit on hull top hatch and attach machine gun to turret. Not included in all kits!